

■ GSCDxxx-GN2
 - SIZE: W 1,000mm X H 500mm

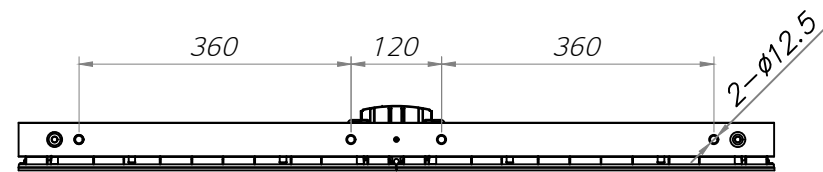
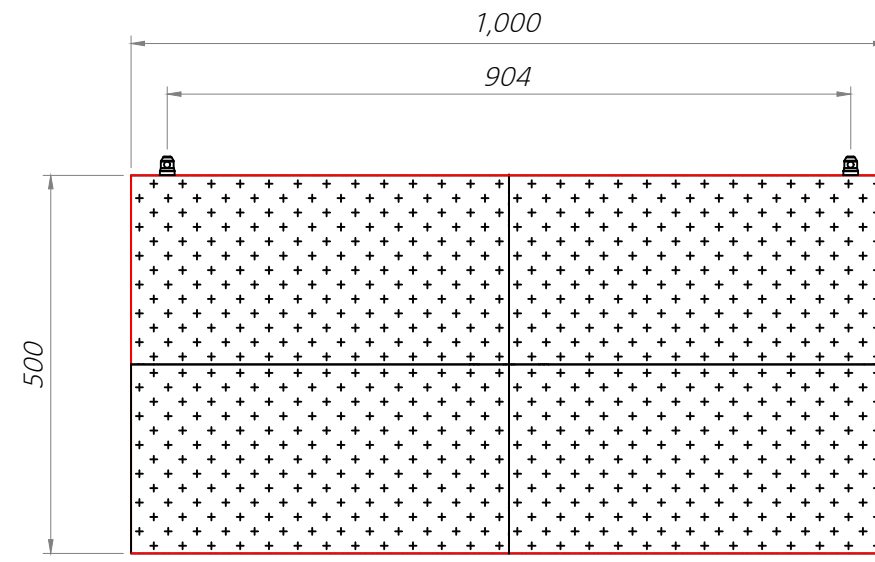
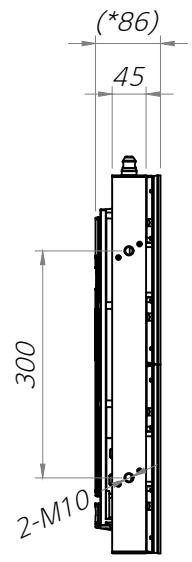
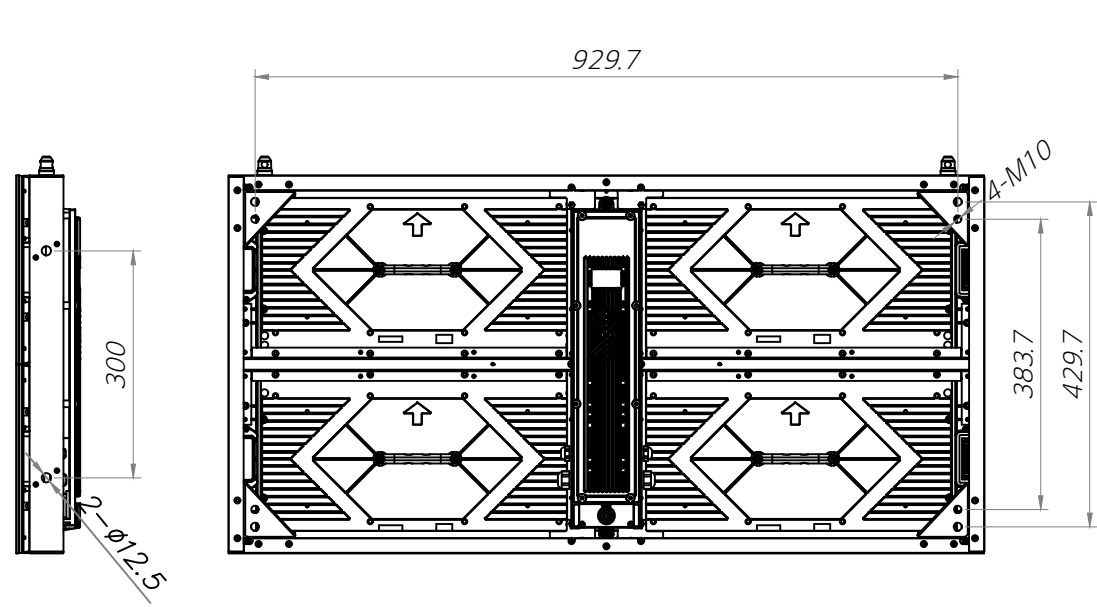
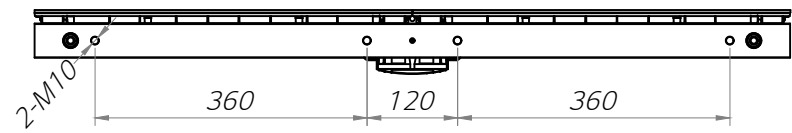
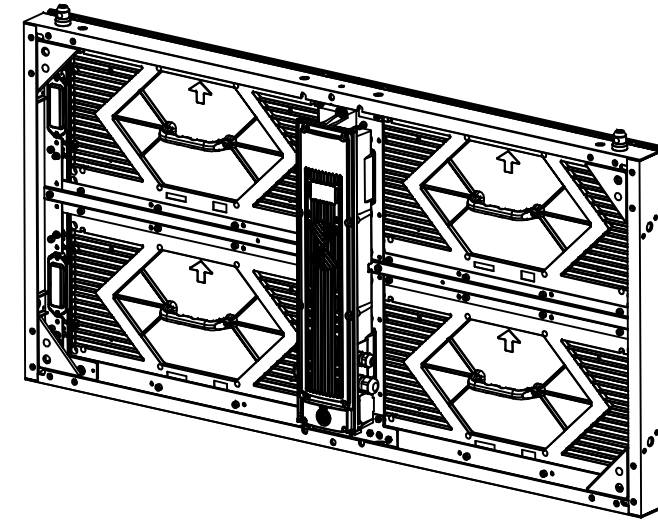


PROJECT TITLE

LED Screen

NOTE

1. This drawing is only for reference.
2. Specifications subject to change without notice.



△		
△		
△		
△		
△		
△		
△		
△		
△		

REVISIONS DATE

DRAWN BY

DESIGNED BY

CHECKED BY

APPROVED BY

DRAWING TITLE
 Cabinet Elevation
 GSCDxxx-GN2

MATERIAL

SCALE 1 / 10

DATE 2020. 05. 12.

SHEET NO. - REV. A

AS4200(2mm 4mm)