



Scan for full manual

RC-208 Quick Start Guide

This guide helps you install and use your **RC-208** for the first time.

Go to www.kramerav.com/downloads/RC-208 to download the latest user manual and check if firmware upgrades are available.

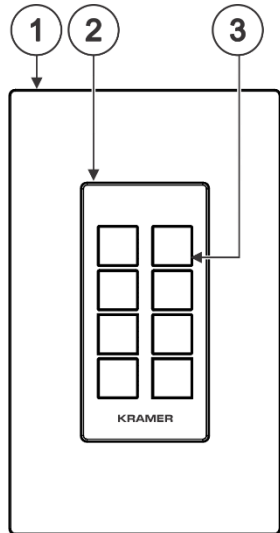
Step 1: Check what's in the box

- ✓ **RC-208** Ethernet and K-NET Control Keypad
- ✓ 1 Set of button label sheets
- ✓ 1 Power adapter and cord
- ✓ 1 Button-cap remover (tweezers)
- ✓ 1 Quick start guide
- ✓ Installation accessories
- ✓ Frame (or frame set) and faceplate
- ✓ 8 Button caps

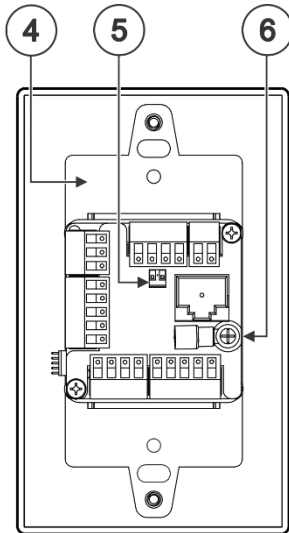
Step 2: Get to know your RC-208

US-D Version

Front

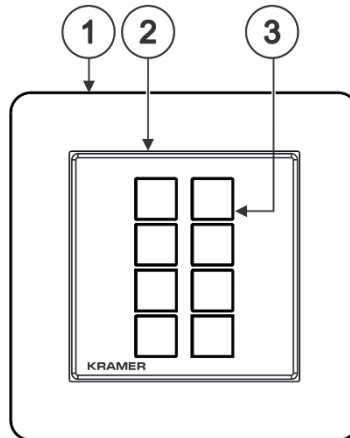


Rear

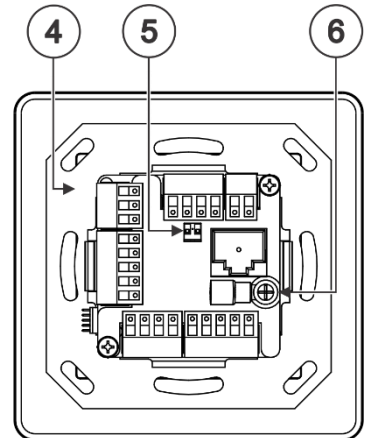


EU/UK Version

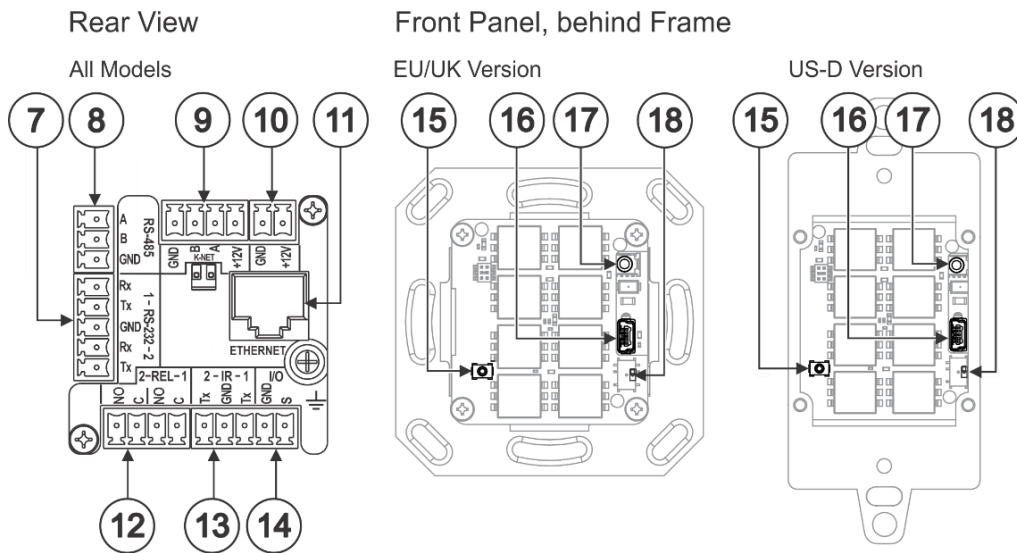
Front



Rear



#	Feature	Function	
1	Designed 1 Gang Wall Frame	For fixing the RC-208 to the wall. DECORA™ design frames are included in US-D models. DECORA™ is a registered trademark of Leviton Manufacturing Co., Inc.	
2	Button Faceplate	Covers the button area after inserting the button labels.	
3	Configurable RGB Backlit Buttons (8)	Configured to control the room and A/V devices. Remove button covers to insert button labels (included).	
4	Mounting Bracket	For fixing the frame to the in-wall box.	
5	DIP-Switches	For K-NET: The last physical device on a K-NET bus must be terminated. For RS-485: The first and the last units on the RS-485 line should be terminated. Other units should remain unterminated.	
		DIP-switch 1 (to the left) K-NET Line Termination	DIP-switch 2 (to the right) RS-485 Line Termination
		Slide down (ON)	For line termination.
	Slide up (OFF, default)	To leave bus unterminated.	To leave RS-485 line unterminated.
6	Ring Tongue Terminal Grounding Screw	Connect to grounding wire (optional).	



#	Feature	Function
7	RS-232 3-pin Terminal Block Connectors (Rx, Tx, GND)	Connect to RS-232 controlled devices (1 and 2, with common GND).
8	RS-485 3-pin Terminal Block Connector	Connect to the RS-485 terminal block connector on another device or PC.
9	KNET 4-pin Terminal Block Connector	Connect the GND pin to the Ground connection; pin B (-) and pin A (+) are for RS-485, and the +12V pin is for powering the connected unit.
10	12V Power Supply 2-pin Terminal Block Connector (+12V, GND)	Connect to a power supply: Connect GND to GND and 12V to 12V.
11	ETHERNET RJ-45 Connector	Connect to an Ethernet LAN for control, firmware upgrade and for uploading the configuration.
12	REL 2-pin Terminal Block Connectors	Connect to a device to be controlled by relay. For example, a motorized projection-screen (1 and 2).
13	IR 2-pin Terminal Block Connectors (Tx, GND)	Connect to an IR emitter cable (1 and 2, with common GND).
14	I/O 2-pin Terminal Block Connector (S, GND)	Connect to a sensor or device to be controlled, for example, a motion sensor. This port may be configured as a digital input, digital output, or analog input.
15	Factory Reset Button	Press while connecting the power and then release to reset the device to its default parameters. To access this button, you need to remove the Button Faceplate.
16	Mini USB Type B Port	Connect to your PC for firmware upgrade or for uploading the configuration. To access the USB port, you need to remove the Button Faceplate.
17	IR Sensor	For learning commands from an IR remote control transmitter.
18	Programing DIP-switch	For internal use. Always keep set to UP (towards the mini USB port).

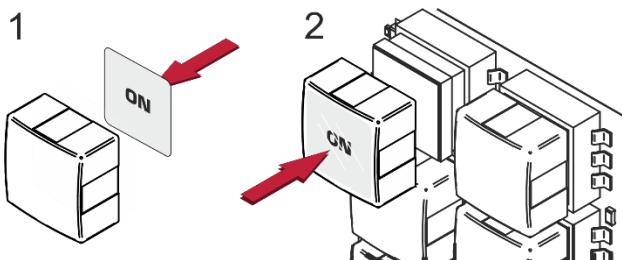
Step 3: Configure RC-208

To configure RC-208 buttons via K-Config:

- Configure **RC-208** (go to www.kramerav.com/product/RC-208).
- Connect **RC-208** to a PC via the Ethernet or connect via the mini USB port.
- Sync the configuration to RC-208.

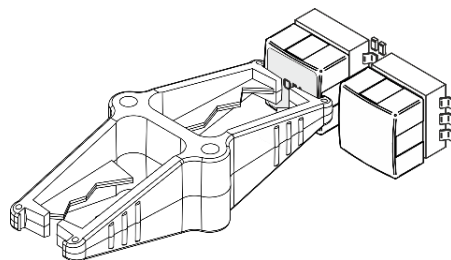
To insert a button label for the first time:

1. Cut out the appropriate button label from the button label sheets and place a label inside the button cover.
2. Cover with the button cap.



To replace a label:

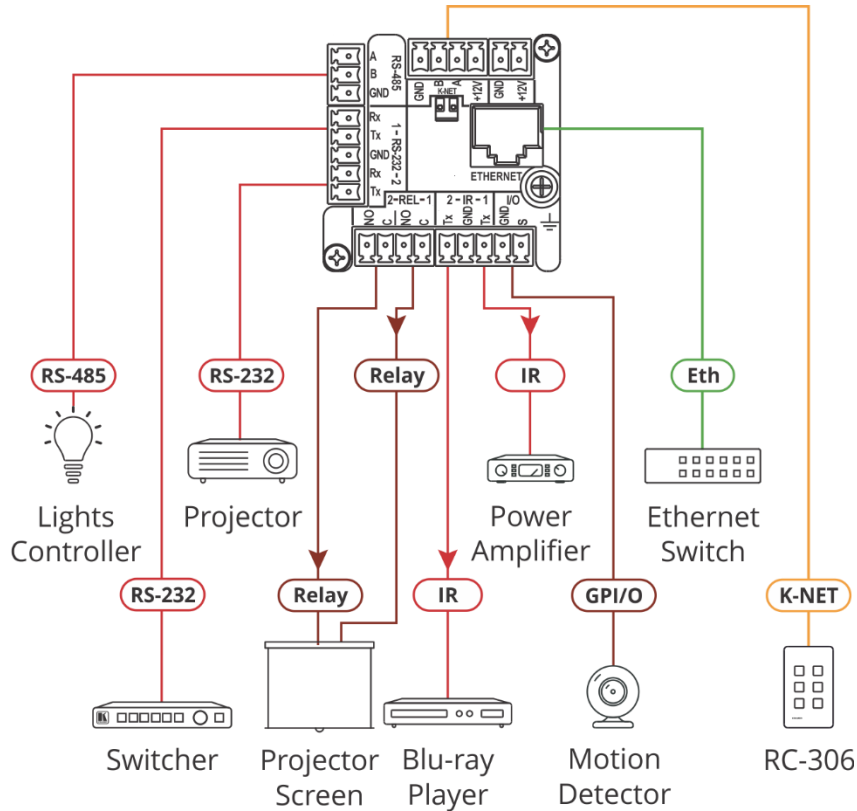
1. Using the supplied tweezers, grip the button via the Horizontal or vertical ledges and remove the button cap.
2. Replace the label and cover the button with the button cap.



You do not have to detach the faceplate to remove a button.

Step 4: Connect the inputs and outputs

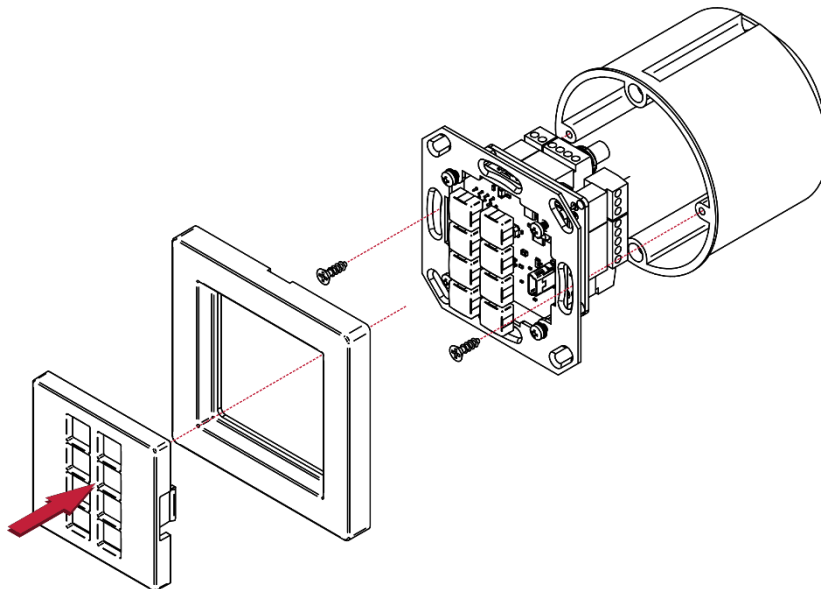
Always switch OFF the power on each device before connecting it to your **RC-208**. For best results, we recommend that you always use Kramer high-performance cables to connect AV equipment to **RC-208**.



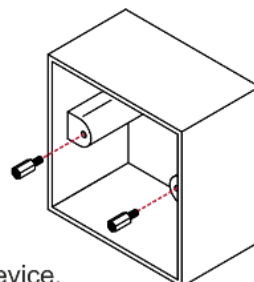
Step 5: Install RC-208

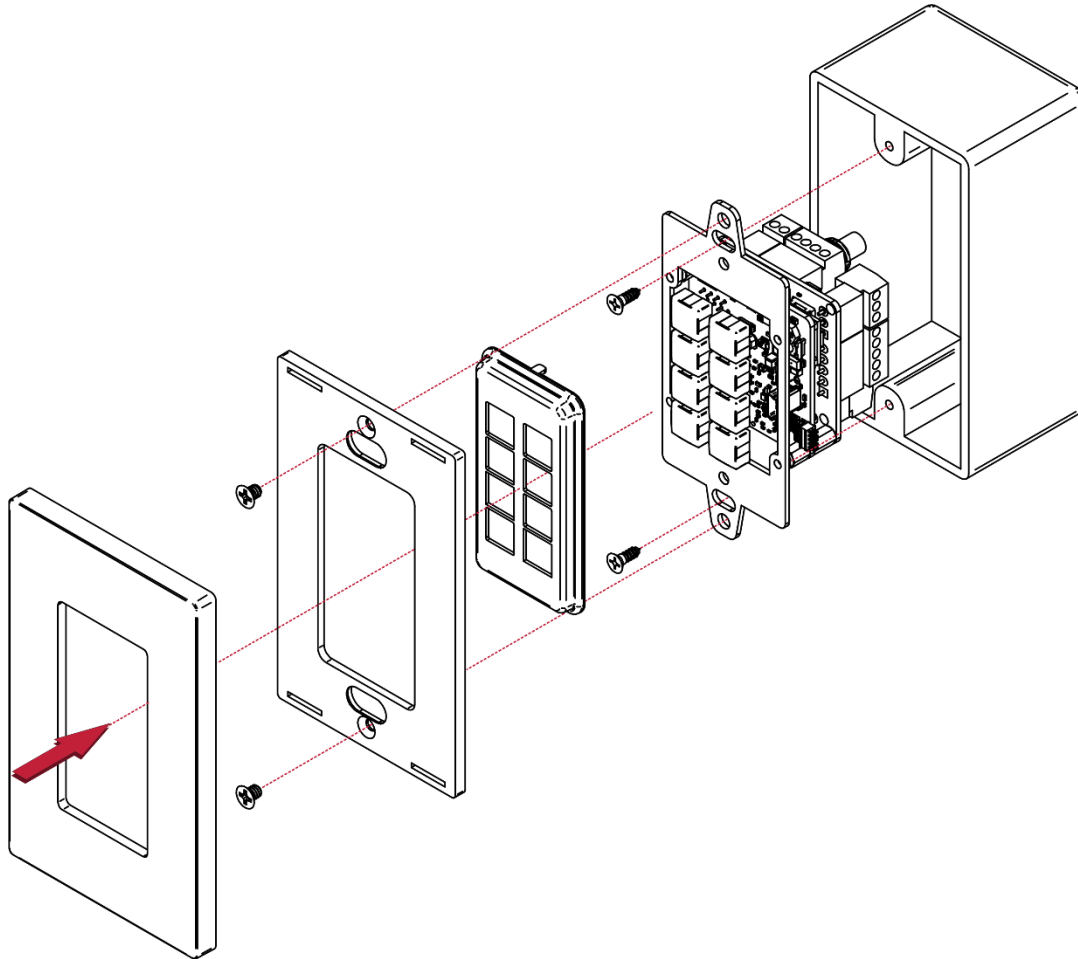
After connecting the ports, insert the device into the in-wall box and connect the parts as shown in the illustrations below:

EU/UK Version



For BS EN 60670-1
attach the spacers
before inserting the device.





We recommend that you use any of the following standard 1 Gang in-wall junction boxes (or their equivalent):

- **US-D:** 1 Gang US electrical junction boxes.
- **EU:** 1 Gang in-wall junction box, with a cut-hole diameter of 68mm and depth that can fit in both the device and the connected cables (DIN 49073).
- **UK:** 1 Gang in-wall junction box, 75x75mm (W, H), and depth that can fit in both the device and the connected cables (BS 4662 or BS EN 60670-1 used with supplied spacers and screws).

Step 6: Connect the power

Connect the 12V DC power adapter to the **RC-208** and plug the adapter into the mains.

Safety Instructions



Caution: There are no operator serviceable parts inside the unit.

Warning: Disconnect the power and unplug the unit from the wall before installing.

See www.KramerAV.com for updated safety information.

Step 7: Operate RC-208

Operate **RC-208** via the front panel buttons, as a room controller keypad configured via **K-Config**.