

Voyager

MOBILE CART

Move with Style

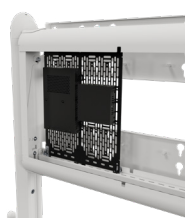


[Voyager™](#) is a compact mobile display solution to support flexible conferencing and collaboration in workspaces and digital signage. Built-in cable management and small device storage create quick and attractive AV installations. Sleek handles and a stylish woodgrain shelf promote accessibility and effortless movement.

Camera and speaker mounts integrate with a wide range of conferencing and collaboration technologies. The slim footprint of Voyager invites users to easily step up to interactive displays and move freely around the cart. Future proof conference rooms with an adaptable mobile cart compatible that accepts a wide range of displays.



High-quality, lockable casters ensure smooth movement, safety and stability



[PACL2 LeverLock™ storage plate](#) included for convenient mounting of small devices.



Lower storage area accommodates [PACL1 Lever Lock storage plate](#), sold separately

Displays can be mounted in landscape or portrait orientation. [Freestyle Flat Panel Rotation Adapter](#) accessory provides rotation from landscape to portrait orientation with rotating displays like MS Surface Hub and Samsung Flip 2.

FEATURES

- 175 lbs. weight capacity supports most touch displays up to 75" for interactivity
- Supports display mounting in portrait or landscape orientations.
- Robust display mounting with manual height adjustment, accommodates multiple heights and displays sizes
- Technology agnostic; providing peace of mind to future-proof your investment
- Ideal for corporate conferencing and collaboration, higher education collaboration spaces, digital signage for hospitality, and much more.
- Sophisticated design: elevated aesthetics to complement contemporary spaces
- Camera and speaker accessories integrate with a variety of popular conferencing and collaboration technologies
- Easily removable panels to conceal AV component storage for clean, attractive installation and cable management
- High-quality casters for easy, smooth movement with lockable rear casters
- Compact, low-profile footprint and sleek handles promote accessibility to technology and storage
- Installer inspired design for fast, intuitive assembly and installation
- Stocked globally for quick shipping

WATCH THE VIDEO

SPECIFICATIONS

SKU	LSCU
CENTER OF DISPLAY TO FLOOR TABLE RANGE	50.72" – 60.96"
COLOR	Black or White
MANUAL HEIGHT ADJUSTMENT	10.2"
MOUNTING PATTERN COMPATIBILITY (UNIVERSAL VERSIONS)	200-200mm – 600x400mm
TILT	0°, 3° & 5° of back tilt (3 settings)
TYPICAL SCREEN SIZES	50" – 75"
WEIGHT CAPACITY	175 lbs.
ORIENTATION	Static install in landscape or portrait Dynamic rotation from landscape to portrait with FRA accessory, sold separately



VOYAGER MOBILE CART

ACCESSORIES



Voyager Storage Shelf Accessory

A stylish woodgrain shelf accessory for additional storage can be mounted with tool-free adjustment on the front or back of the Voyager Mobile Cart.

SKU	SCSS
COLOR	Black or White
FINISH	Wilsonart Veranda Teak HPL (8209)
DEPTH	10.5"
OVERALL DIMENSIONS (H X W X D)	4 x 30 x 10.5"
SHIPPING WEIGHT	11.3 lbs
WEIGHT CAPACITY	25 lbs



Voyager Video Conference Camera Shelf

Mount a variety of popular conferencing cameras above or below the display with the SCAC Video Conference Camera Shelf.

SKU	SCAC
COLOR	Black or White
DEPTH	8"
OVERALL DIMENSIONS (H X W X D)	12.5" x 8.5" x 8"
SHIPPING WEIGHT	5 lbs
TYPICAL SCREEN SIZES	50-75"
WEIGHT CAPACITY	10 lbs

ACCESSORIES



Voyager Speaker Bar Accessory

Mount a variety of popular speaker and conferencing sound bars above or below the display with the SCAS Speaker Bar Accessory.

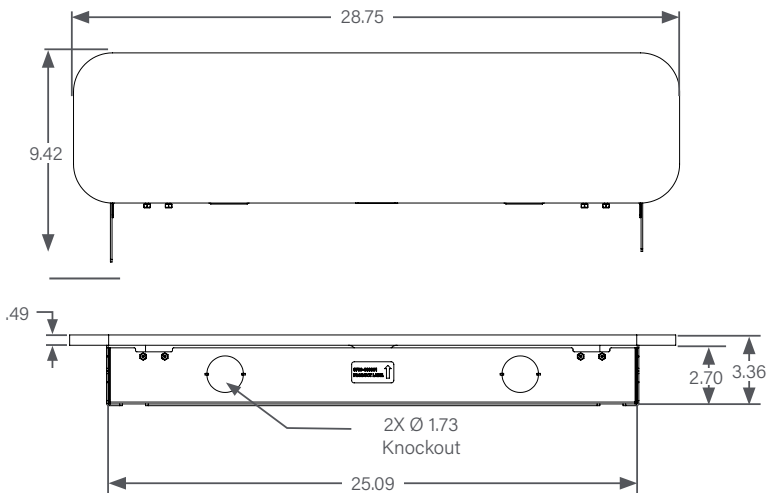
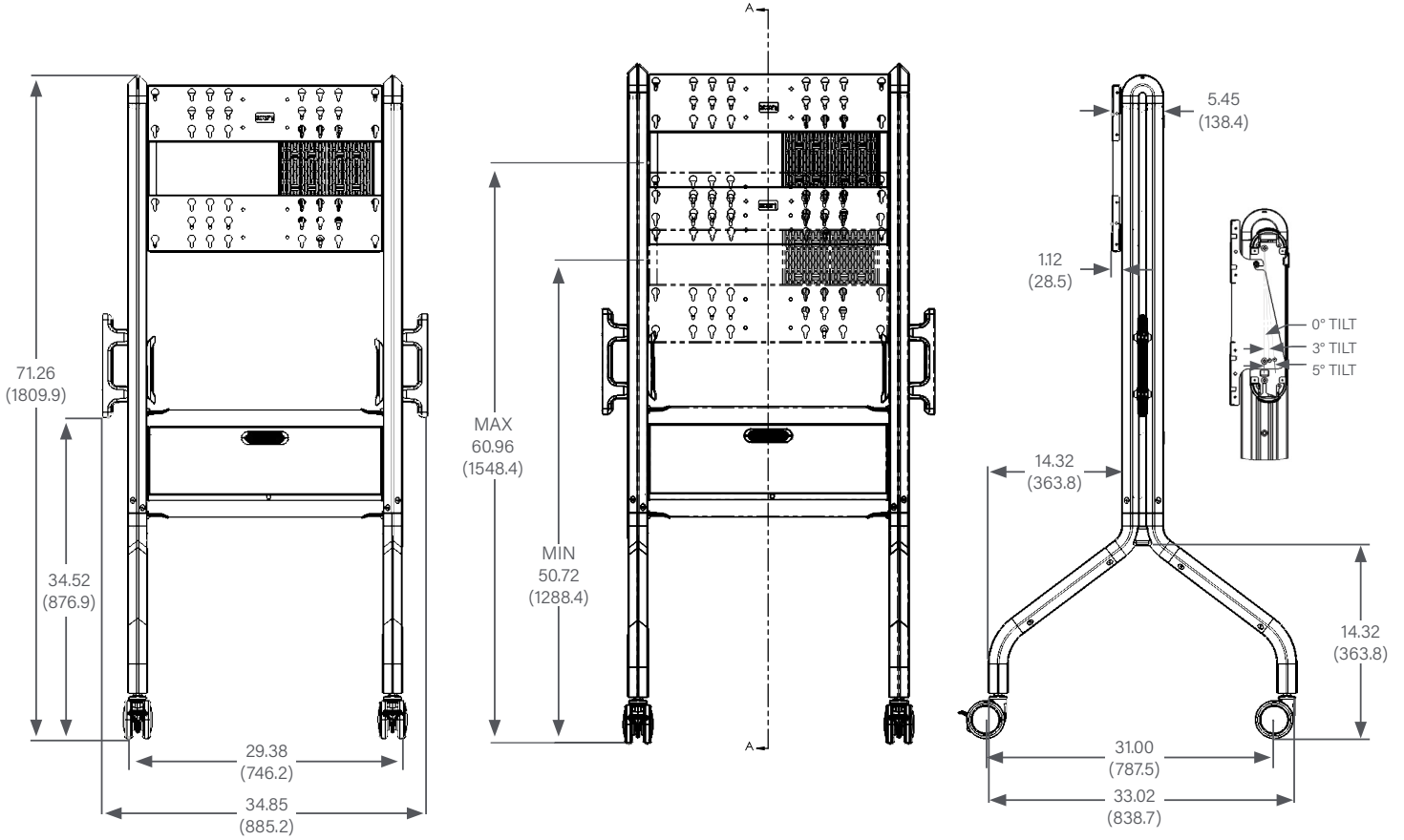
SKU	SCAS
COLOR	Black or White
DEPTH	2.75"
OVERALL DIMENSIONS (H X W X D)	22.5" x 7.75" x 2.75"
SHIPPING WEIGHT	5 lbs
TYPICAL SCREEN SIZES	50-75"
WEIGHT CAPACITY	15 lbs



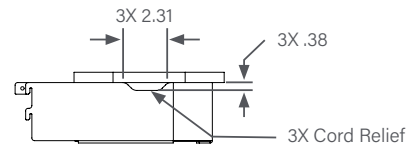
Voyager Camera Shelf for Vaddio IntelliSHOT & ConferenceSHOT ePTZ

SKU	PAC800E	PAC810E	PAC800K	PAC810K
VADDIO CAMERA	IntelliSHOT	IntelliSHOT	ConferenceSHOT ePTZ	ConferenceSHOT ePTZ
DISPLAY SIZE	Large	Extra-Large	Large	Extra-Large
TYPICAL SCREEN SIZES	30 - 43" (762 - 1092 mm)	38.5 - 53" (978 - 1346 mm)	28" - 42.5" (711mm - 1080mm)	37" - 52" (940 - 1321 mm)
COLOR	Black	Black	Black	Black
SHIPPING WEIGHT	5.7 lbs (2.6 kg)	5.7 lbs (2.6 kg)	5.7 lbs (2.6 kg)	5.7 lbs (2.6 kg)
WEIGHT CAPACITY	10 lbs (4.5 kg)	10 lbs (4.5 kg)	10 lbs (4.5 kg)	10 lbs (4.5 kg)

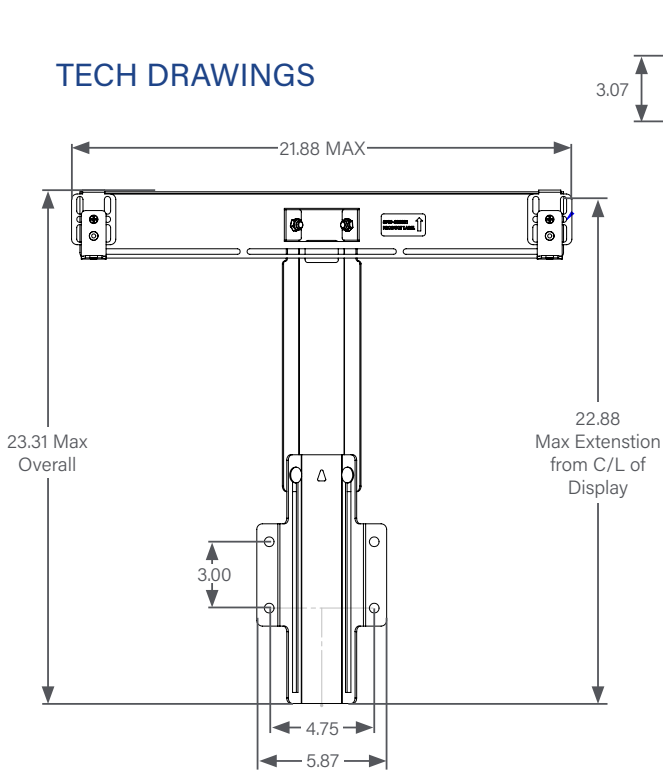
TECH DRAWINGS



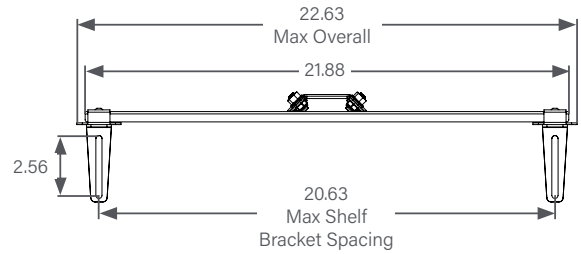
Voyager Storage Shelf Accessory



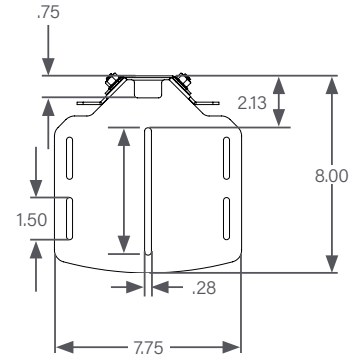
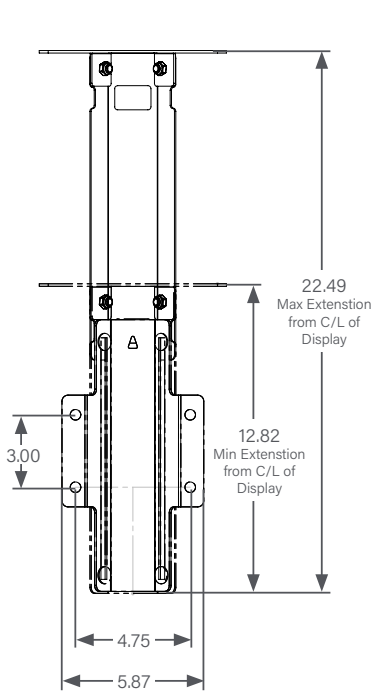
TECH DRAWINGS



Voyager Speaker Bar Accessory



Voyager Video Conference Camera Shelf



CHIEF[®]

A brand of **legrand**

LEGRAND | AV COMMERCIAL BRANDS

C2G | Chief | Da-Lite | Luxul | Middle Atlantic | Vaddio | Wiremold

INSTALLER INSPIRED | legrandav.com

USA 866.977.3901 av.chief.support@legrand.com CANADA 877.345.4329 av.chief.canada@legrand.com

EMEA +31 495 580 840 av.emea.sales@legrand.com APAC +852 2145 4099 av.asia.sales@legrand.com

©2023 Legrand AV Inc. 220118 Rev B 3/22 Chief is a registered trademark of Legrand AV Inc. All other brand names or marks are used for identification purposes and are trademarks of their respective owners. All patents are protected under existing designations. Other patents pending.