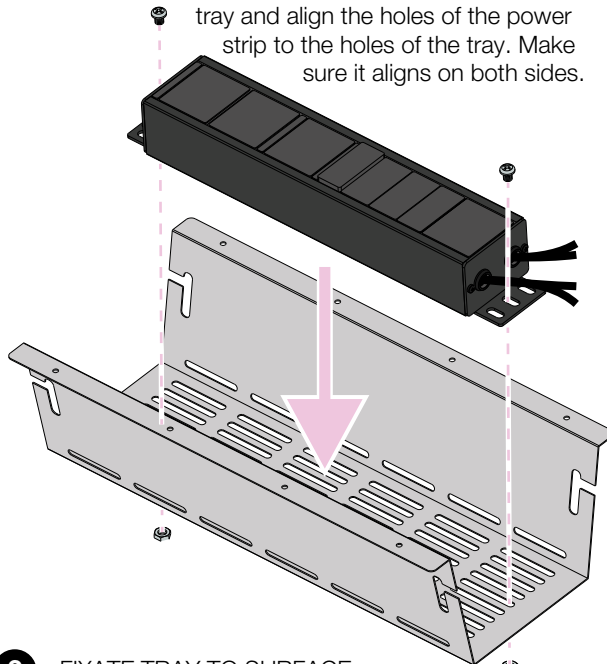


Axessline Outlet Conference

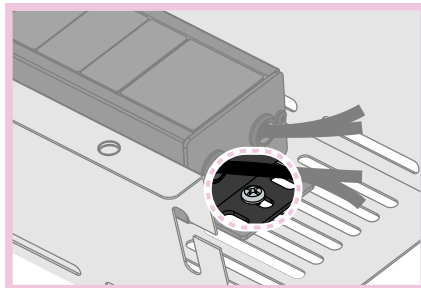
■ 935-T5UD



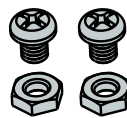
- 1** DECIDE & POSITION POWER STRIP
Position the Axessline power strip on a compatible tray and align the holes of the power strip to the holes of the tray. Make sure it aligns on both sides.



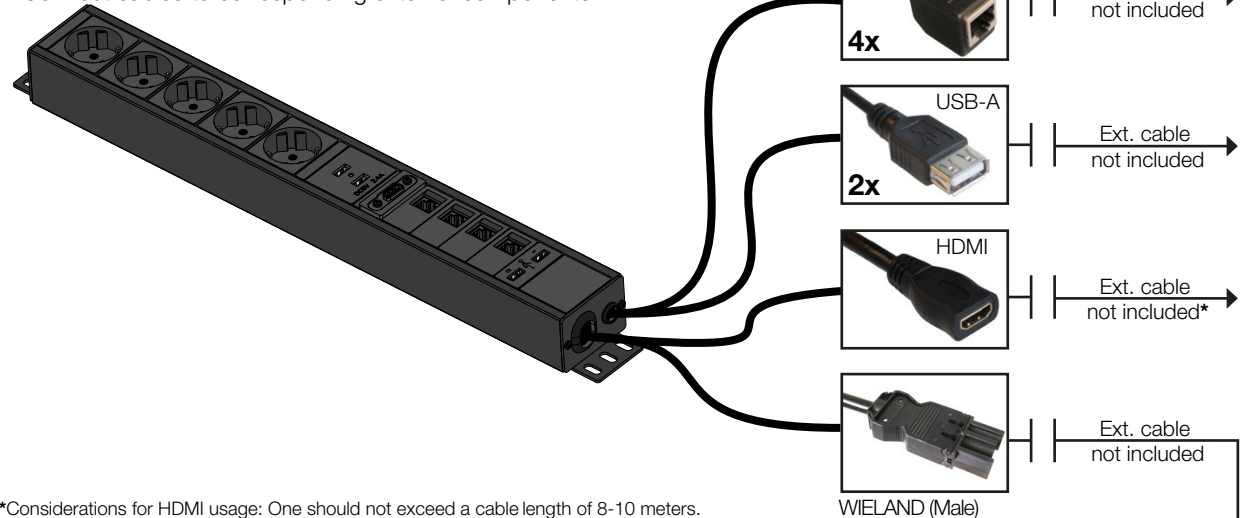
- 2** FIXATE TRAY TO SURFACE
For this step, **2x** M6 nuts & **2x** M6x8 screws are needed to fixate the power strip to the compatible tray (See **C**).



Not included



- 3** CONNECT
Connect cables to corresponding external components.



*Considerations for HDMI usage: One should not exceed a cable length of 8-10 meters. In such cases, amplifiers should be used. Factors that affect the signal include: cable quality (1), contacts (2), data amount/resolution (3) and source strength (5).

C COMPATIBLE TRAYS

- **429-FX05** Cable Tray Expand 950-1800 mm, silver
- **429-FX05W** Cable Tray Expand 950-1800 mm, white
- **429-FX05B** Cable Tray Expand 950-1800 mm, black

- **935-TK61** Axessline PDU Tray 670 x 220 mm, silver
- **935-TK61W** Axessline PDU Tray 670 x 220 mm, white
- **935-TK61B** Axessline PDU Tray 670 x 220 mm, black

- **429-4001** Cable Tray 720 mm, silver
- **429-4004** Cable Tray 720 mm, white
- **429-4002** Cable Tray 720 mm, black

Accessories:

- Wieland ↔ Schuko
- 935-BA20** 2.0 m
- 935-BA30** 3.0 m
- 935-BA50** 5.0 m



WIELAND GST1813S Female type
Part no 92.931.3053.1
VDE Approval no. 40018414
Cable cord specification
H05VV-F according to EN50525-2-11
minimum 3 x 1.5 mm
OR
Certified equivalent connector.

This product is for indoors use only.

Product specification:
250 V, 16 A, Max 3500 W. Grounded.