

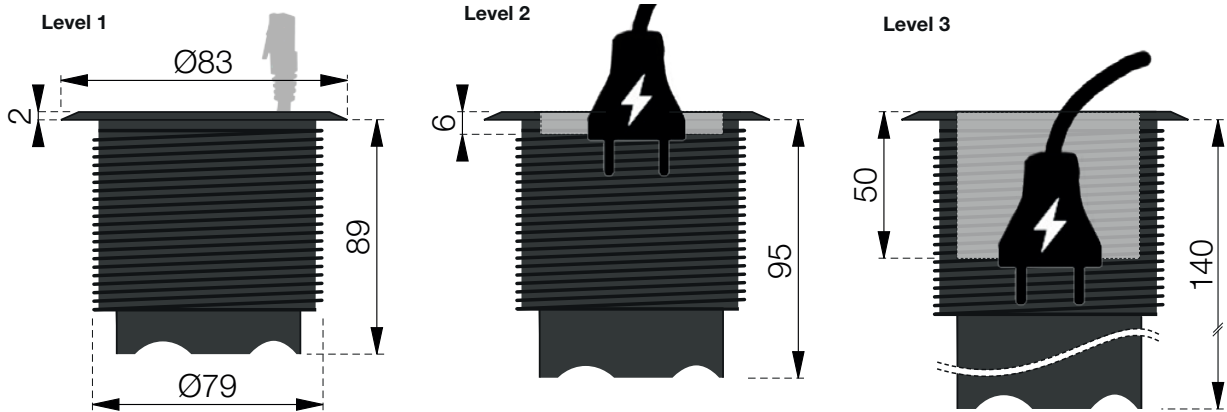


□ 935-PD12W

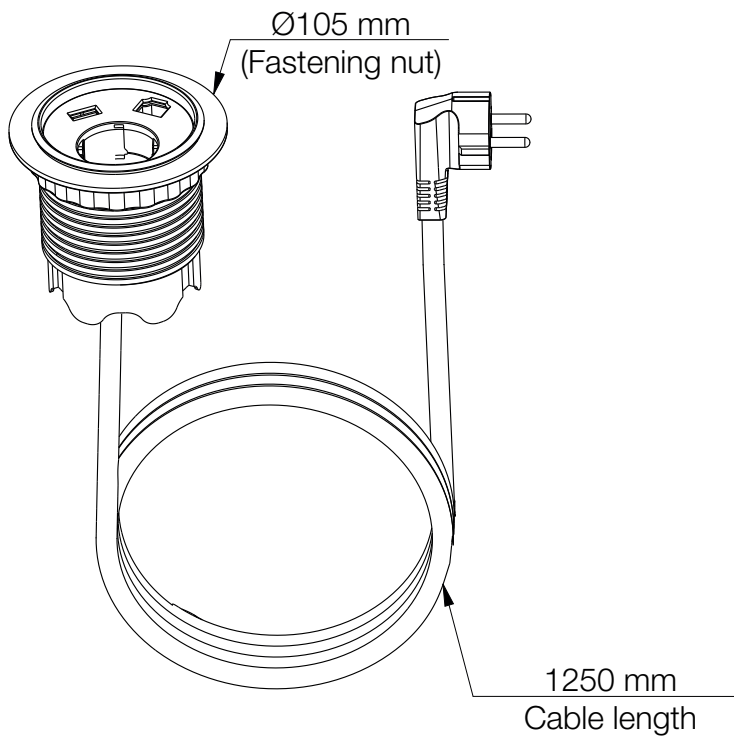
■ 935-PD12

# Powerdot 1 Power, 1 Data, 1 USB Charger (5V, 2.1A)

## Front view (Grommet)



## Oriented view (Grommet, nut & cable)



Maximum table thickness:  
Recommended hole cut:

55 mm  
 $\text{Ø}79$  mm

Revised  
191106