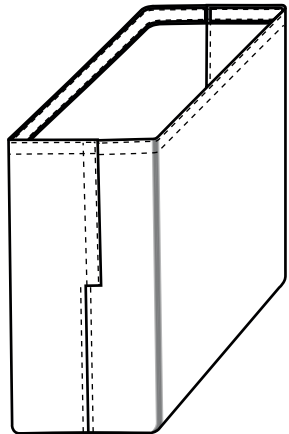
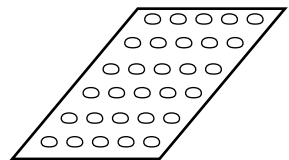


CONTENT:



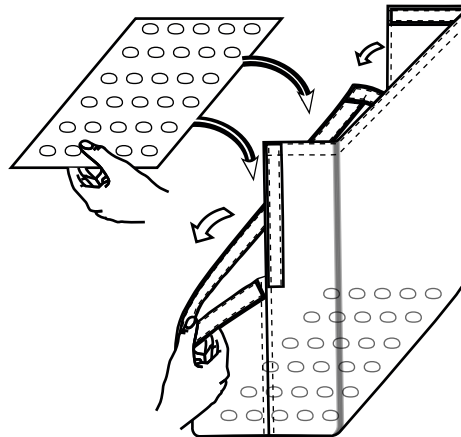
x1



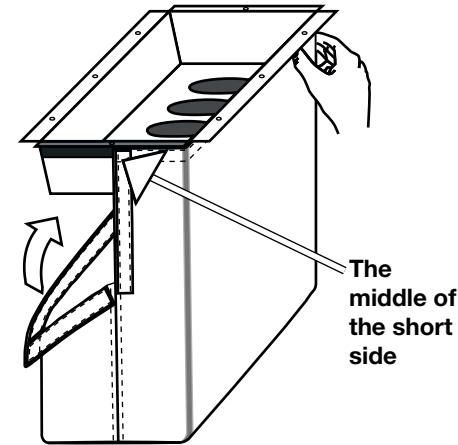
x1

This is an accessory for:
9002500402 Powerdot Tray for 5 Powerdots
9002500302 Powerdot Tray for 2 Powerdots

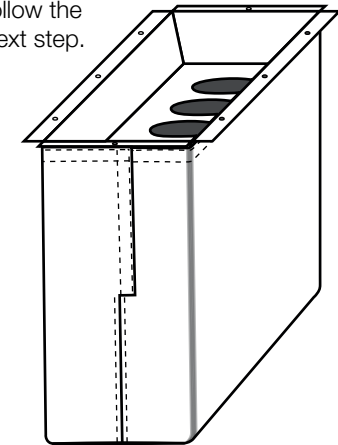
- 1** INSERT SHEET
Insert sheet metal into the bottom of the bag and position well.



- 2** HOOK THE BAG TO THE TRAY
Start hooking the bag from the middle of the short side work your way around.



- 3** RESULT
The product is now fully installed.
If changes need to be made, simply follow the next step.



- ADJUSTING AND CHANGES**
If a change needs to be made, simply open the bag up from the middle by unhooking the velcro and unhook one side of the bag.

