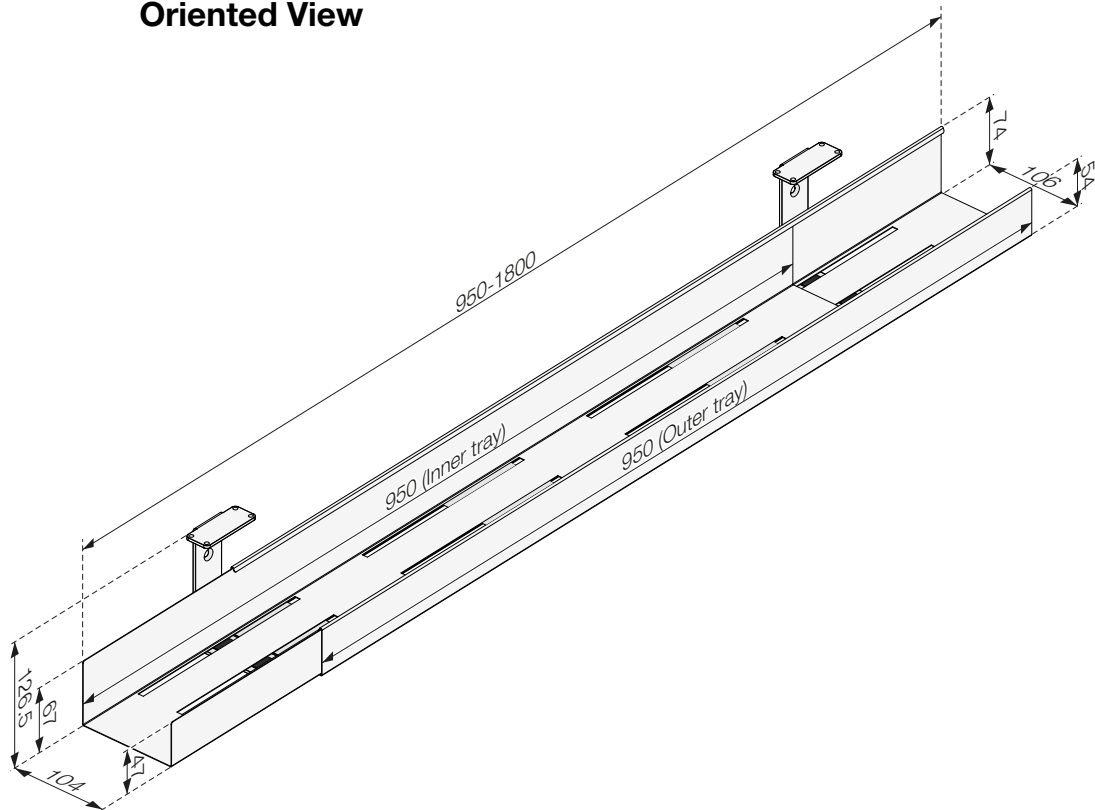


# axessline

Axessline Expand Tray  
Drawing 3602000102/3602000109/3602000101

## Oriented View



## Oriented View - Tray Hooks

