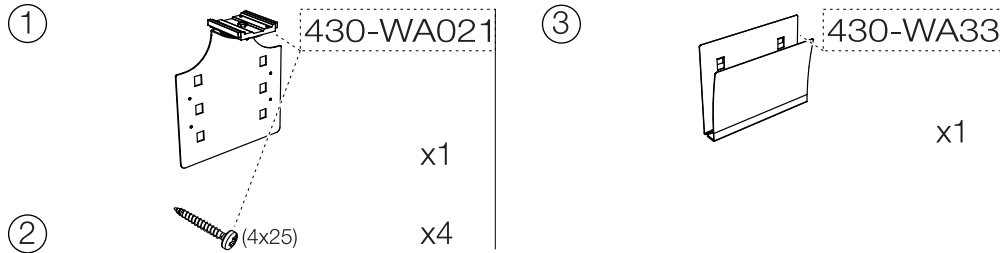


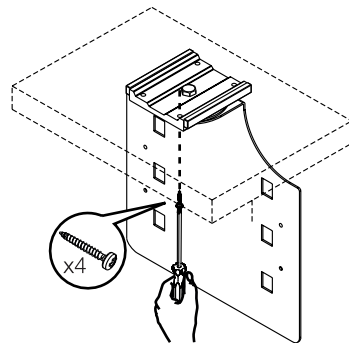
Laptop Pocket for LiftSystem combined with LiftSopi Multi Cradle

In order to achieve a correct mounting of Laptop Pocket for LiftSystem, you are advised to read and follow the instructions step by step. If there are incomprehensible steps, please let us know and we will get back to you.

Part Check-List for 430-WA34

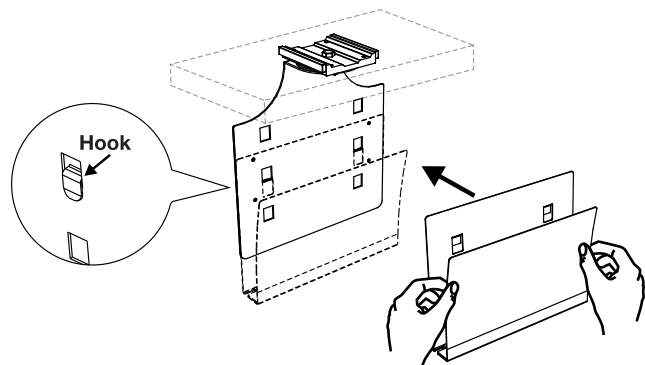


- 1** Position and mount the holder ① to the table using all four wood screws ②*

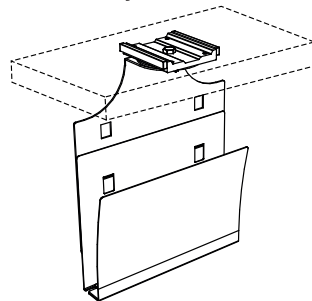


*Wood screws are not needed for usage with LiftSystem Track: 430-WA11, 430-WA13, 430-WA16

- 2** Hook the laptop pocket ③ to the holder ① and pull downwards until it hangs firmly.



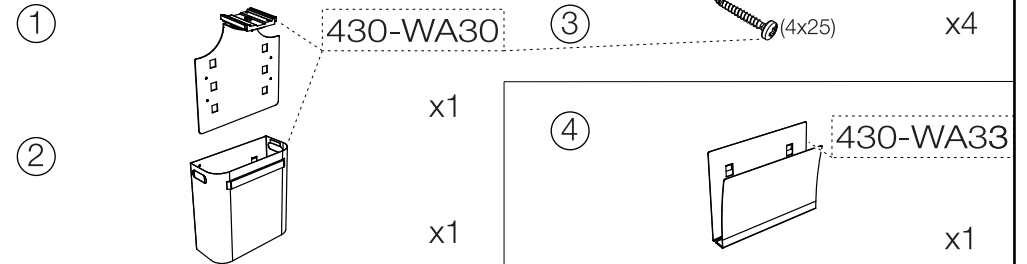
- 3** The combined product is now ready to be used.



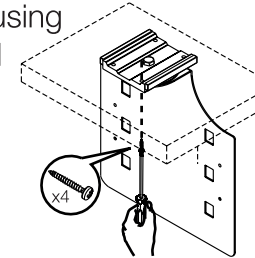
Laptop Pocket for LiftSystem combined with LiftSopi Recycling & Wastebin

In order to achieve a correct mounting of Laptop Pocket for LiftSystem, you are advised to read and follow the instructions step by step. If there are incomprehensible steps, please let us know and we will get back to you.

Part Check-List for 430-WA33 combined with 430-WA30

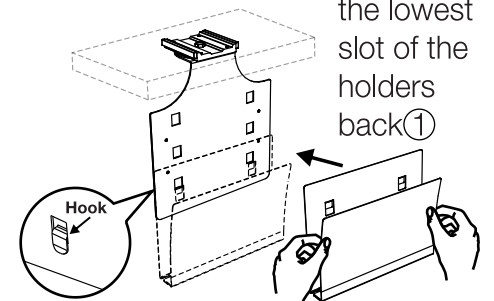


- 1** Position and mount the holder ① to the table using all four wood screws ③*

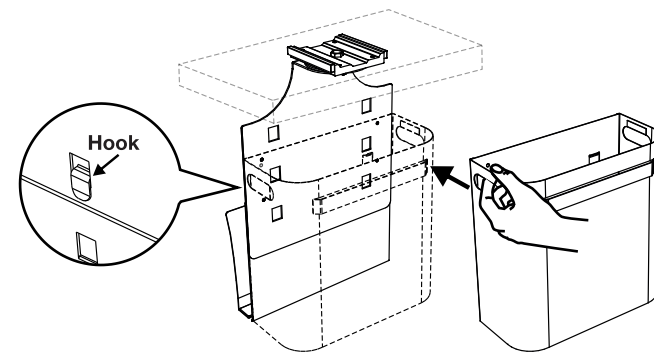


*Wood screws are not needed for usage with LiftSystem Track: 430-WA11, 430-WA13, 430-WA16

- 2** Hook the laptop pocket ④ to the lowest slot of the holders back ①



- 2** Hook the wastebin ② to the second slot of the holders front side ①



- 3** The combined product is now ready to be used.

