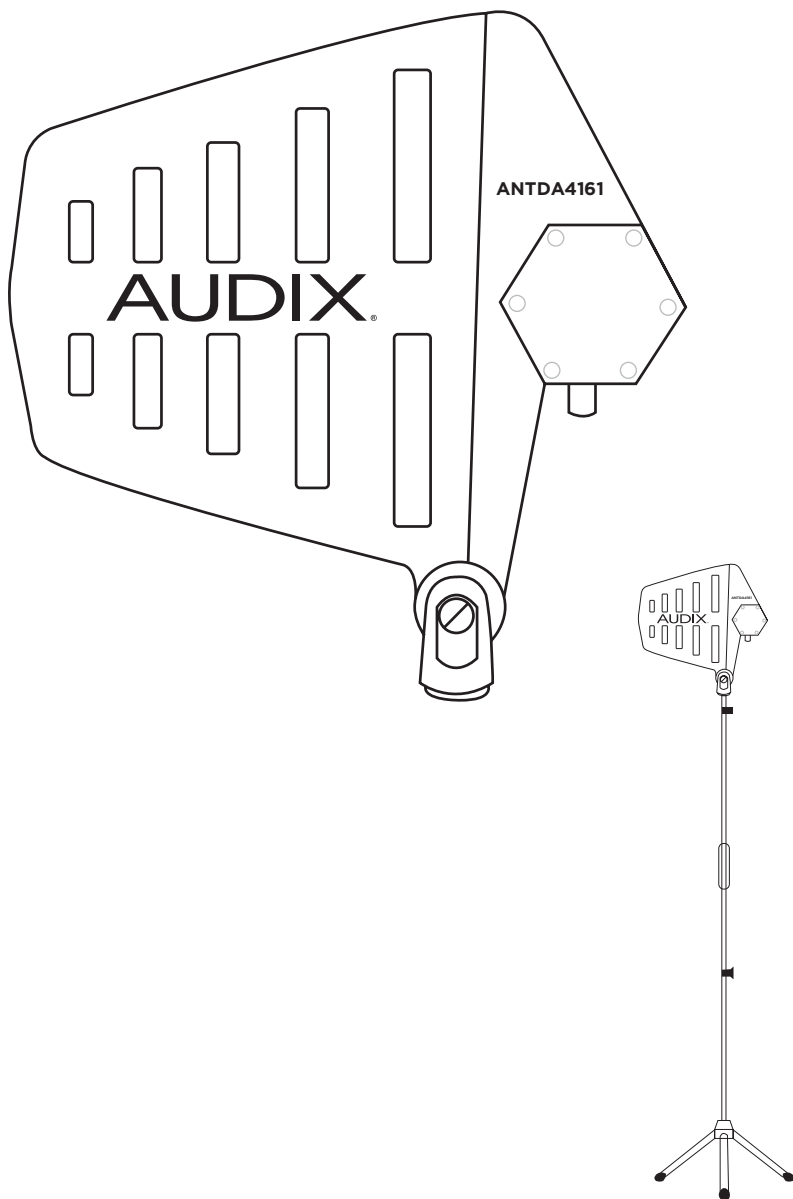


ANTDA4161

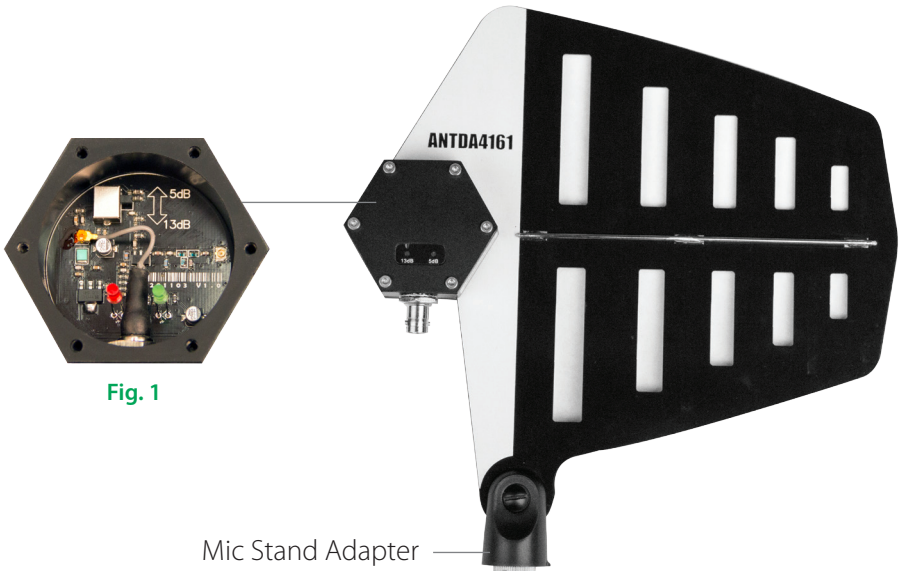
ACTIVE DIRECTIONAL ANTENNA

User Guide



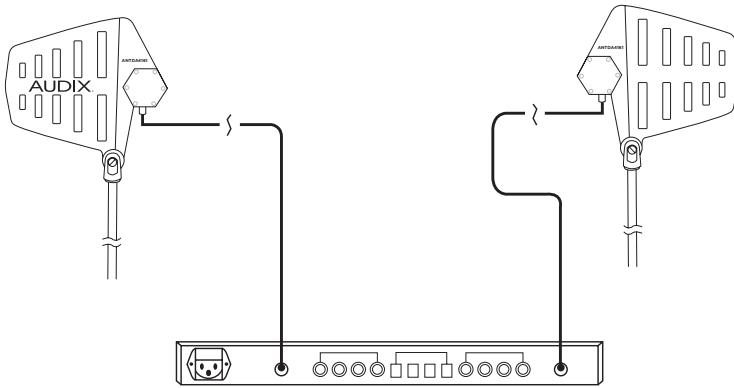
PRODUCT DESCRIPTION

The ANTDA4161 is an active remote antenna for use with the Performance Series Wireless Systems. It offers an antenna gain stage of 60 dB, and an amplifier gain stage of 15 dB. Having the ANTDA4161 allows antennas to be placed up to 100' (30 meters) away from the receiver without any loss of signal.



SPECIFICATIONS

Frequency Band	500 - 700 MHz
Antenna Gain	6 dB
Amplifier Gain	5 dB or 13 dB (dipswitch located inside housing on antenna)
Input Impedance	50 Ohm
Output	OIP3 > 38 dBm
Effective working Angle	Approximately 90 degrees
Connector	BNC
Cable	RG58, 50 Ohm coaxial (not included)
Net Weight	8 ounces / 227 grams



SET UP

- 1 Determine whether to engage the 13 dB signal boost located inside the electronics housing. There is a gain setting inside the booster box located on the antenna (Figure 1). The default setting is 5 dB which covers up to 25' of cable length. For longer runs (up to 100'), the 13 dB setting may be used. The dipswitch is located inside the weather resistant booster box. Remove the 6 Allen bolts and then set the dipswitch to 13 dB, then reattach the cover and Allen bolts.
- 2 Mount the antenna system on to a mic stand. For permanent installations, the antennas may be placed on a wall or hung from the ceiling.
- 3 Connect the coaxial cable from each of the inputs on the receiver to the connector on the ANTDA4161. Be sure to use 50 Ohm cable.
- 4 Point and shoot the antennas directly at the transmitter source. (see figure 2)
- 5 Once the wireless system is in the performance mode, some experimentation may be required to find the best position.

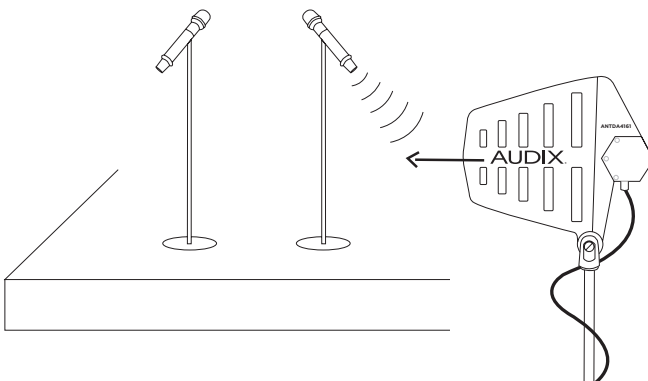


Fig. 2

DIMENSIONS

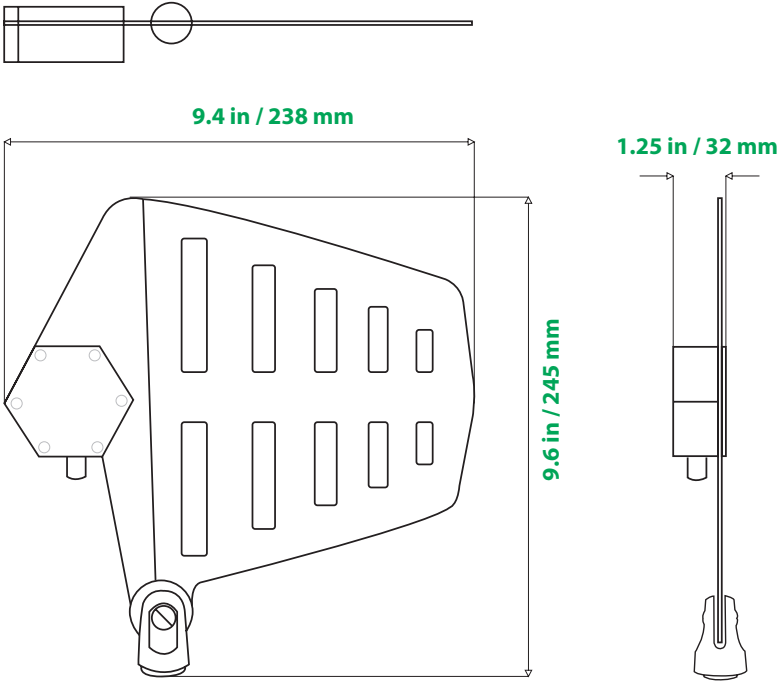


Fig. 3

AUDIX®

audixusa.com | 503.682.6933

©2017 Audix Corporation All Rights Reserved.
Audix and the Audix Logo are trademarks of
Audix Corporation.