

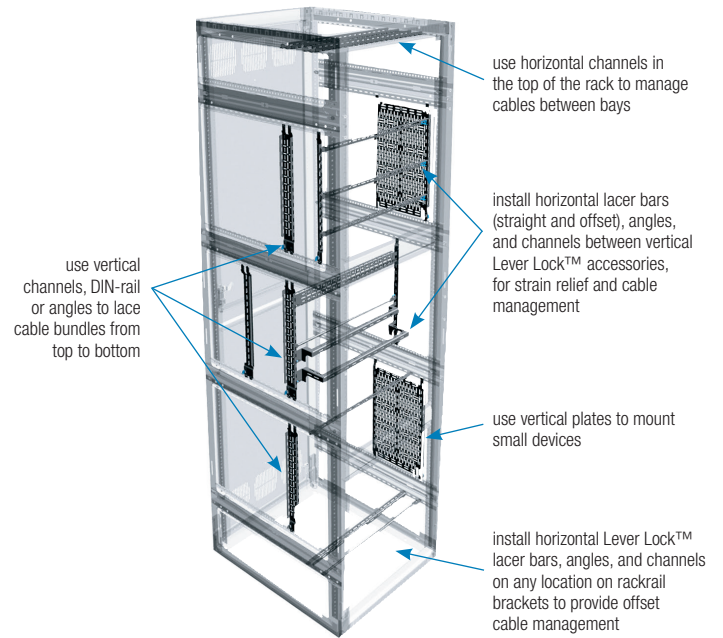
Lever Lock™ Series

tool free internal management system

Lever Lock™ tool free internal management system

features:

- Facilitates cable management and device mounting within the rack interior
- Tool free installation
- Allows for quick installation and removal for servicing
- Maximizes space by saving between 2 and 4 rackspaces per rack
- Vertical and horizontal styles available
- Channel, plate, angle, round-bar, offset and DIN-rail styles available
- Compatible with:
 - BGR Series
 - BGR-SA Series
 - SNE Series
 - RFR Series
 - DTRK series



specifications:

Lever Lock™ patent pending tool-free internal management system shall be model LL-__ (refer to chart). Lever Lock™ shall have tool-free mounting. Lever Lock™ shall be available in channel, plate, angle or round-bar styles, refer to chart. Lever Lock™ shall be compatible with __ (BGR, BGR-SA, SNE, RFR, DTRK, refer to chart) series enclosures. Lever Lock™ shall require mounting adapter LL- (RFR and DTRK only, refer to chart). Lever Lock™ shall be __H x __W x __D (refer to chart). Lever Lock™ shall have a series of slots configured in a universal mounting pattern. Lever Lock™ shall be GREENGUARD Gold Certified. Lever Lock™ shall be manufactured by an ISO 9001 and ISO 14001 registered company. Lever Lock™ shall be warranted to be free from defects in material or workmanship under normal use and conditions for the lifetime of the product.

Customizable specification clips available at middleatlantic.com

PATENT PENDING



PRODUCT CERTIFIED FOR
LOW CHEMICAL EMISSIONS
UL.COM/GG
UL 2818

accessories

- Adapter for use in RFR Series enclosure shall be LL-RFR
- Adapter for use in DTRK Series, 10-18 space, shall be LL-DTRK

what **great systems** are built on.™

A Group brand | **legrand**

Middle Atlantic Products
middleatlantic.com | middleatlantic.ca

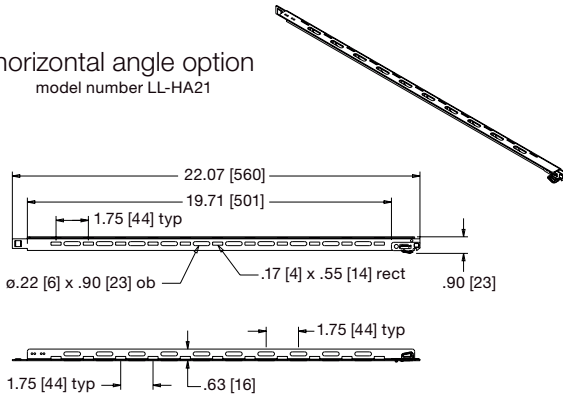
96-01179 / rev c / 5-29-20

Lever Lock™ Series

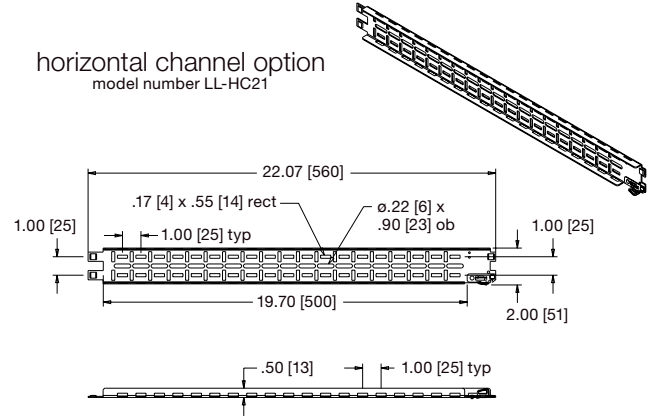
horizontal basic dimensions

all dimensions in inches unless otherwise noted [all dimensions in brackets are in millimeters]

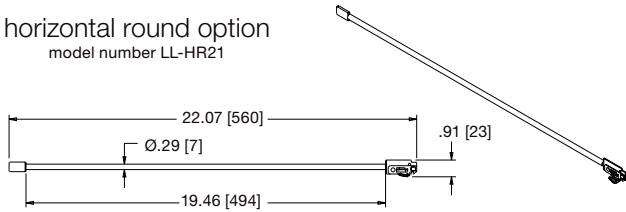
horizontal angle option
model number LL-HA21



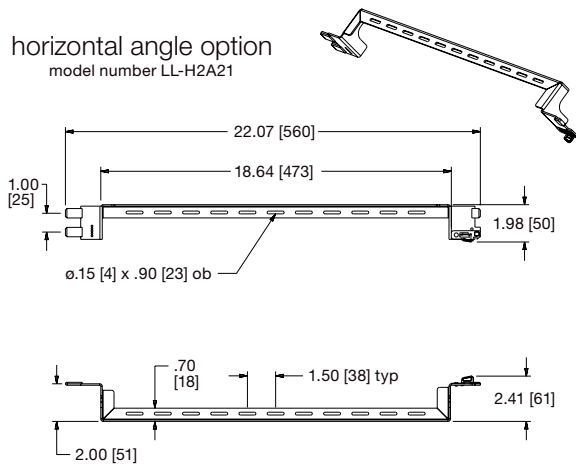
horizontal channel option
model number LL-HC21



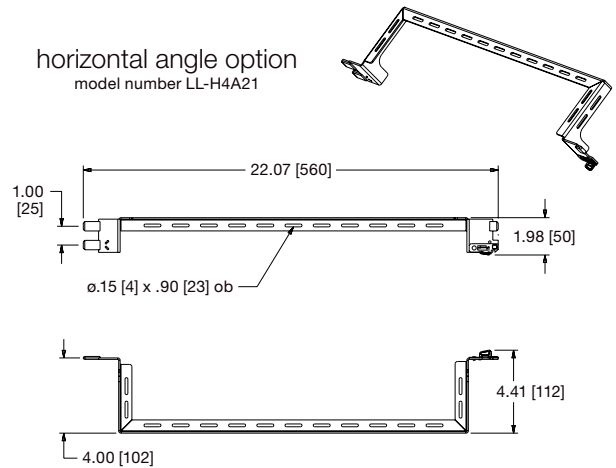
horizontal round option
model number LL-HR21



horizontal angle option
model number LL-H2A21



horizontal angle option
model number LL-H4A21



Notes:

- 1) Horizontal options only mount to BGR series enclosures, all sizes
- 2) Can be mounted between rackrail brackets or vertical leverlock accessories