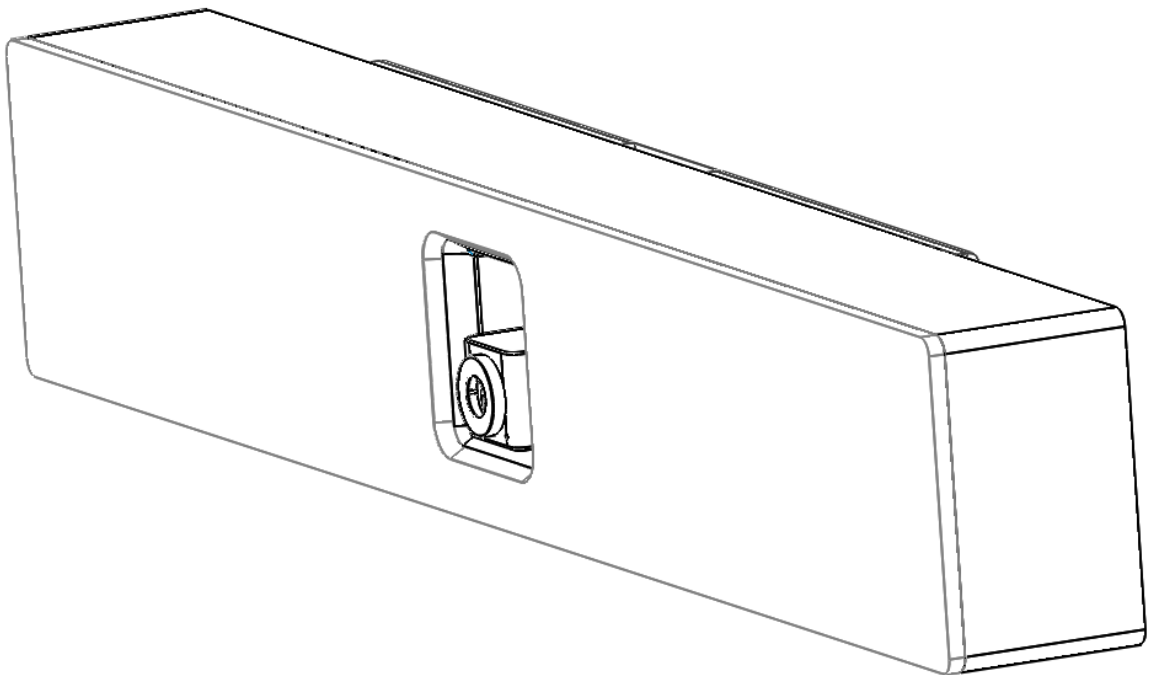


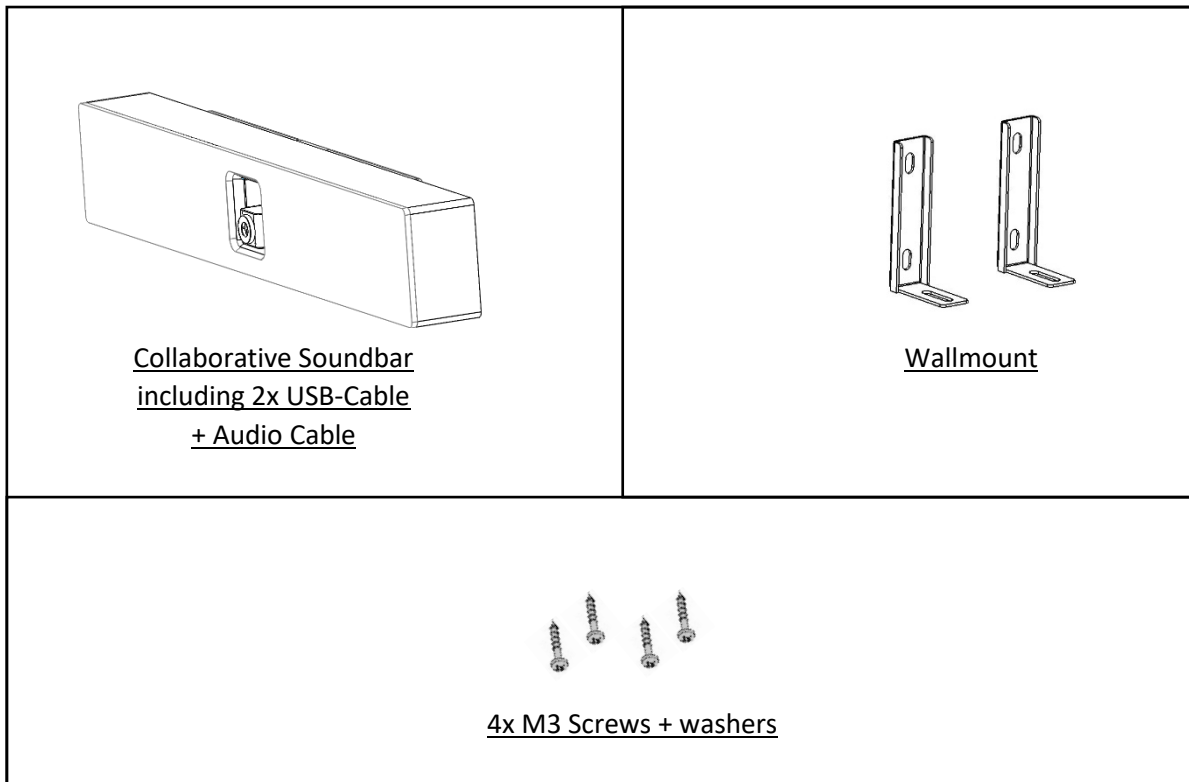
Manual

Passive Collaboration Soundbar

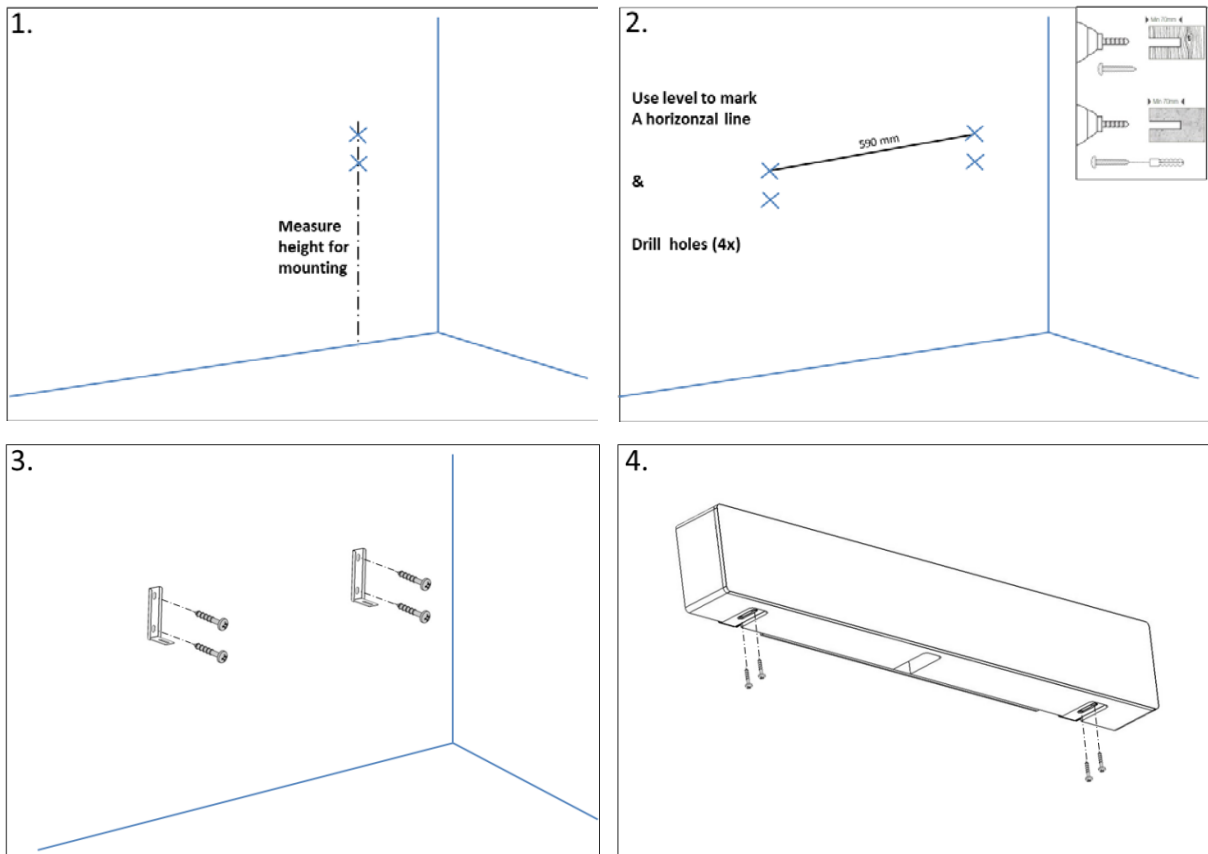
SP-PSCM



1) Delivery



2) Assembly to the wall



3) Connection

Camera USB (3.0)	→	USB port 2.0 of the external device
Microphone USB (2.0)	→	USB port 2.0 of the external device
Audio cable	→	Build in amplifier of the display

4) Devices

Playback device	→	<i>TV-Screen</i>
Recording device	→	"2 – Phnx MT103_16k"