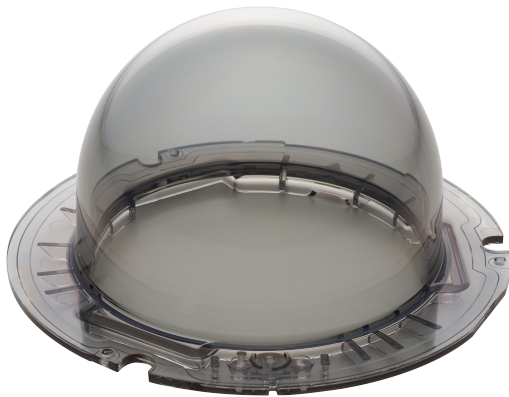


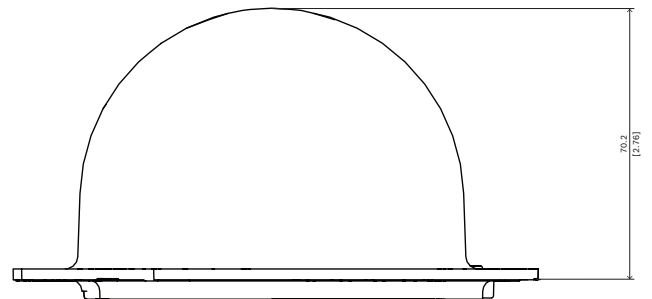
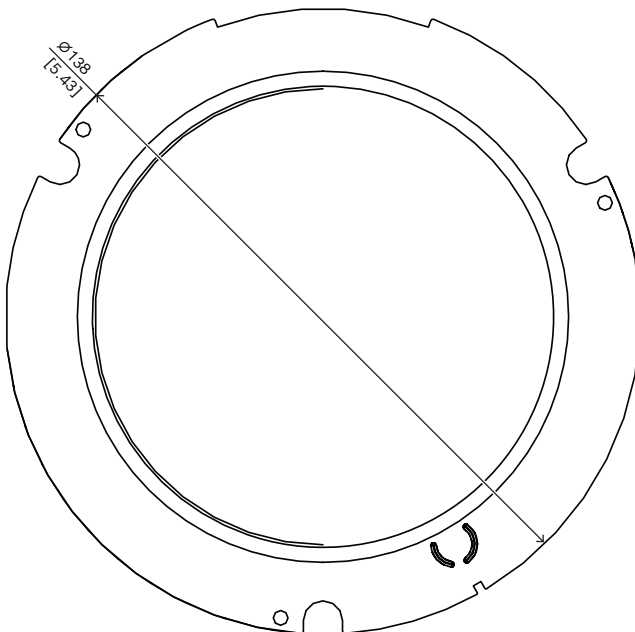
NDA-5070-TBL Bubble, tinted for FLEXIDOME 5100i



► Applicable for FLEXIDOME indoor 5100i and FLEXIDOME outdoor 5100i

The tinted bubble is applicable for FLEXIDOME indoor 5100i and FLEXIDOME outdoor 5100i.

Installation/configuration notes



Dimensions in mm (inch)

Parts included

Quantity	Component
1	Tinted bubble
1	Quick installation guide

Technical specifications

Mechanical	
Dimension (Ø x H) (mm)	138 mm x 70.2 mm
Dimension (Ø x H) (in)	5.43 in x 2.76 in
Weight (g)	120 g
Weight (lb)	0.26 lb
Bubble material	Polycarbonate

Environmental

Impact protection (EN 50102)	IK10
------------------------------	------

Ordering information

NDA-5070-TBL Bubble, tinted for FLEXIDOME 5100i

Tinted bubble for FLEXIDOME indoor 5100i and
FLEXIDOME outdoor 5100i

Order number **NDA-5070-TBL | F.01U.399.144**

Represented by:

Europe, Middle East, Africa:
Bosch Security Systems B.V.
P.O. Box 80002
5600 JB Eindhoven, The Netherlands
Phone: + 31 40 2577 284
www.boschsecurity.com/xc/en/contact/
www.boschsecurity.com

Germany:
Bosch Sicherheitssysteme GmbH
Robert-Bosch-Ring 5
85630 Grasbrunn
Tel.: +49 (0)89 6290 0
Fax: +49 (0)89 6290 1020
de.securitysystems@bosch.com
www.boschsecurity.com

North America:
Bosch Security Systems, LLC
130 Perinton Parkway
Fairport, New York, 14450, USA
Phone: +1 800 289 0096
Fax: +1 585 223 9180
onlinehelp@us.bosch.com
www.boschsecurity.com

Asia-Pacific:
Robert Bosch (SEA) Pte Ltd, Security Systems
11 Bishan Street 21
Singapore 573943
Phone: +65 6571 2808
Fax: +65 6571 2699
www.boschsecurity.com/xc/en/contact/
www.boschsecurity.com