

NDA-3050-PIP Pendant interface plate panoramic 5000

www.boschsecurity.com



BOSCH

Invented for life



- ▶ Pendant interface plate for FLEXIDOME IP panoramic 5000 MP
- ▶ Weather resistant finish to maintain cosmetic appearance
- ▶ Modular design for fast and easy installation

Functions

This pendant interface plate is designed to enable installation of the FLEXIDOME IP panoramic 5000 MP to Bosch modular pendant mounts or any third party mount with 1.5 inch NPT threads.

It provides a safe, robust and watertight solution to mount your camera to:

- NDA-U-WMT Pendant wall mount
- NDA-U-PMT Pendant pipe mount

Certifications and approvals

Environmental

Salt mist	IEC60068-2-52
Impact	IK10
Ingress protection	IP66

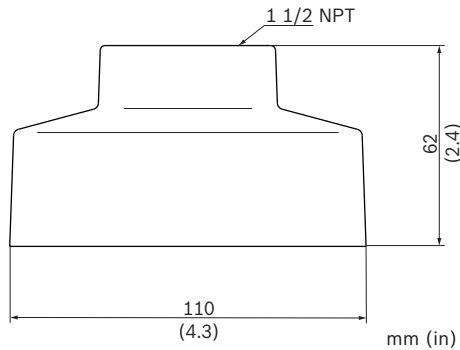
Parts included

Quantity	Component
1	Pendant interface plate
4	M3 x 10 mm Phillips head cavity, Zinc plated
1	M20 cable gland
1	Quick Installation Guide

Technical specifications

Mechanical

Dimensions	Ø 110 mm (4.3 in), H = 62 mm (2.4 in)
Weight	380 g (0.84 lb)
Standard Color	White (RAL 9003)
Construction Material Pendant interface plate	Aluminum alloy



Ordering information

NDA-3050-PIP Pendant interface plate panoramic 5000
 Pendant interface plate for FLEXIDOME IP panoramic 5000 MP. For outdoor and indoor
 Order number **NDA-3050-PIP**

Accessories

NDA-U-PMT Pendant pipe mount, 12" (31cm)
 Universal pipe mount for dome cameras, 31 cm, white
 Order number **NDA-U-PMT**

NDA-U-PMTE Pendant pipe extension, 20" (50cm)
 Extension for universal pipe mount, 50 cm, white
 Order number **NDA-U-PMTE**

NDA-U-RMT Pendant parapet mount
 Universal roof mount for dome cameras, white
 Order number **NDA-U-RMT**

NDA-U-WMT Pendant wall mount
 Universal wall mount for dome cameras, white
 Order number **NDA-U-WMT**

Represented by:

Europe, Middle East, Africa:
 Bosch Security Systems B.V.
 P.O. Box 80002
 5600 JB Eindhoven, The Netherlands
 Phone: + 31 40 2577 284
 emea.securitysystems@bosch.com
 emea.boschsecurity.com

Germany:
 Bosch Sicherheitssysteme GmbH
 Robert-Bosch-Ring 5
 85630 Grasbrunn
 Germany
 www.boschsecurity.com

North America:
 Bosch Security Systems, Inc.
 130 Perinton Parkway
 Fairport, New York, 14450, USA
 Phone: +1 800 289 0096
 Fax: +1 585 223 9180
 onlinehelp@us.bosch.com
 www.boschsecurity.us

Asia-Pacific:
 Robert Bosch (SEA) Pte Ltd, Security Systems
 11 Bishan Street 21
 Singapore 573943
 Phone: +65 6571 2808
 Fax: +65 6571 2699
 apr.securitysystems@bosch.com
 www.boschsecurity.asia