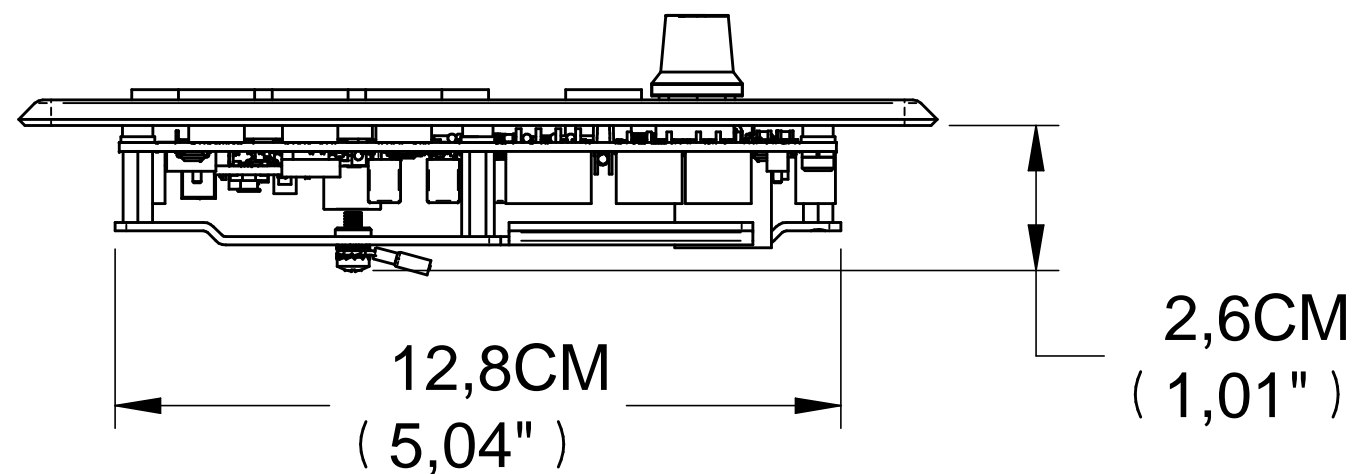
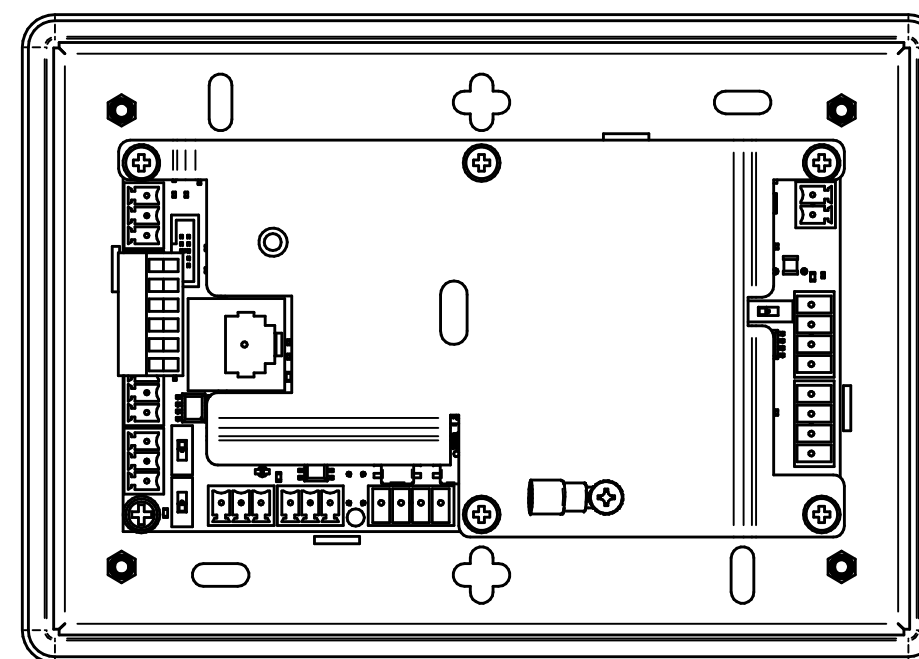
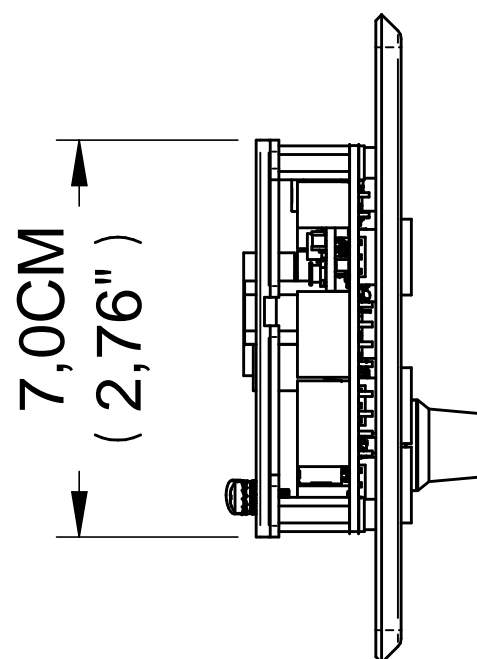
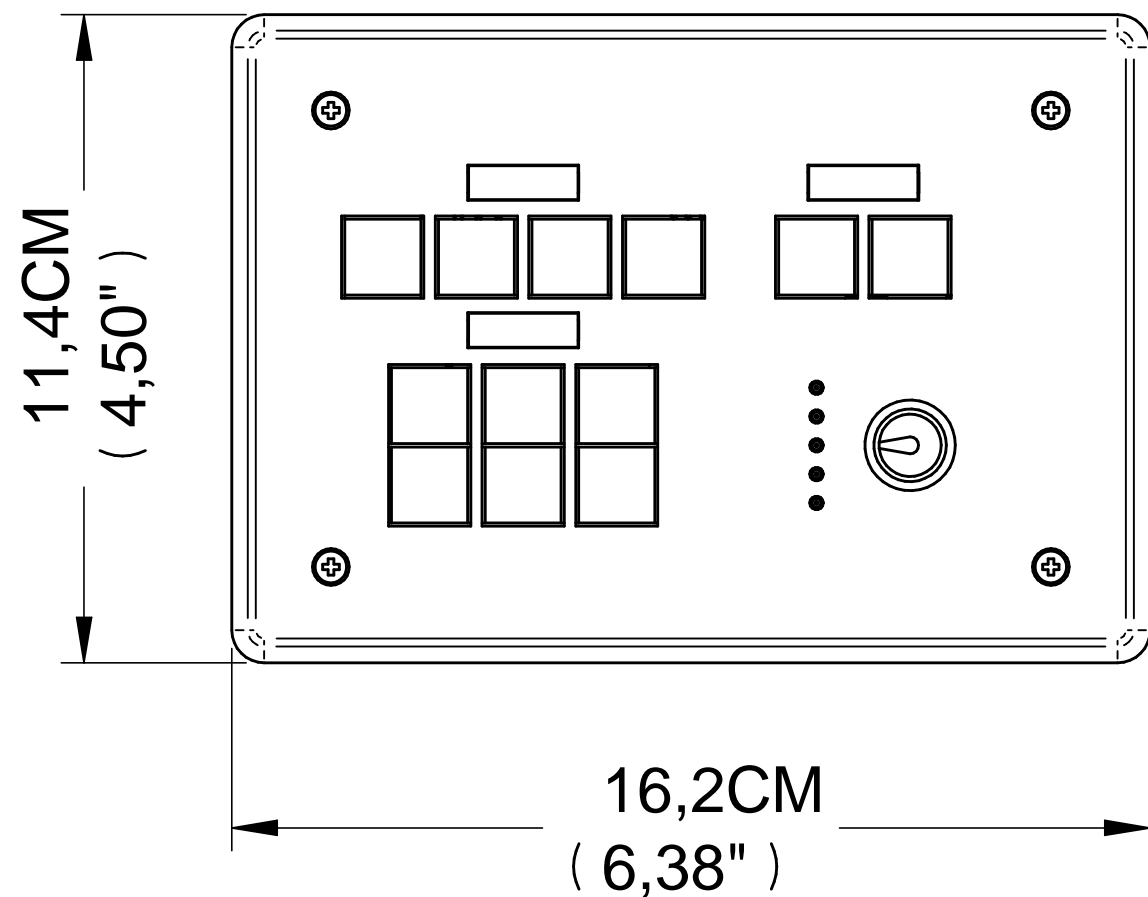

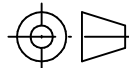


REV	DESCRIPTION	ECO NO.	DATE	UPDATE	APPROVED



RC-74DL



	NAME	DATE	 KRAMER ELECTRONICS LTD. JERUSALEM, ISRAEL
DRAWN	ihassidim	25/Jan/11	
CHECKED			PART: RC-74DL-OUTLINE
ENG APPR			
MGR APPR	I. Satelman	26.04.10	SIZE A3 KRAMER P.N.: RC-74DL-OUTLINE
UNLESS OTHERWISE SPECIFIED DIMENSIONS ARE IN MILLIMETERS ANGLES ±0.5° LINEAR ±0.2 HOLES +0.2			REV 3
			File name: RC-74DL-OUTLINE.dft Project: RC-74DL
			Sheet 1 of 1