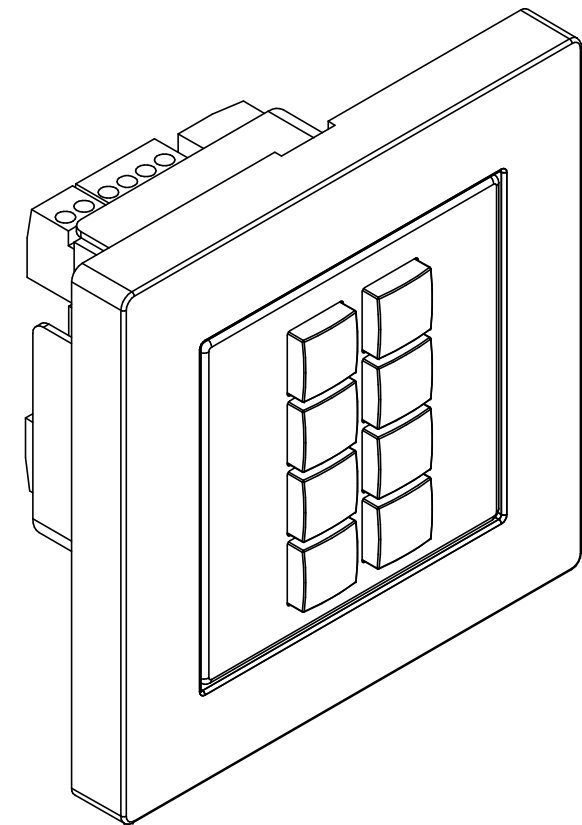
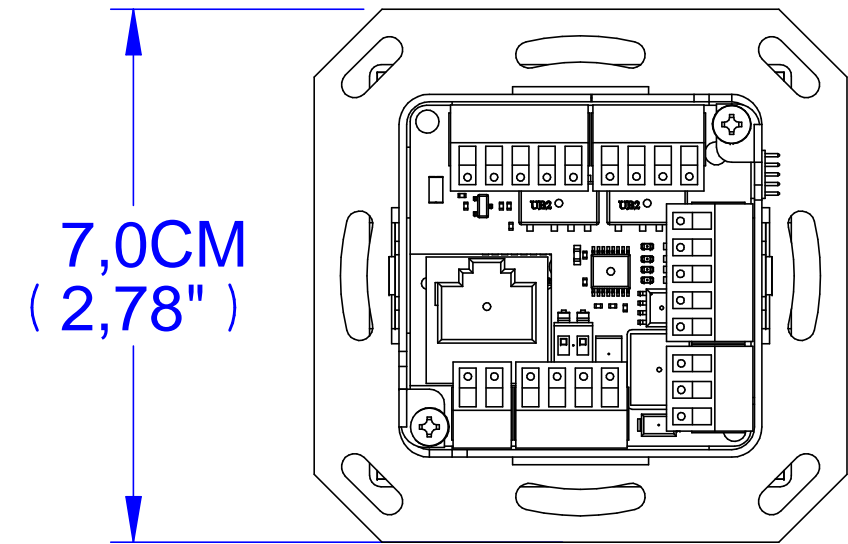
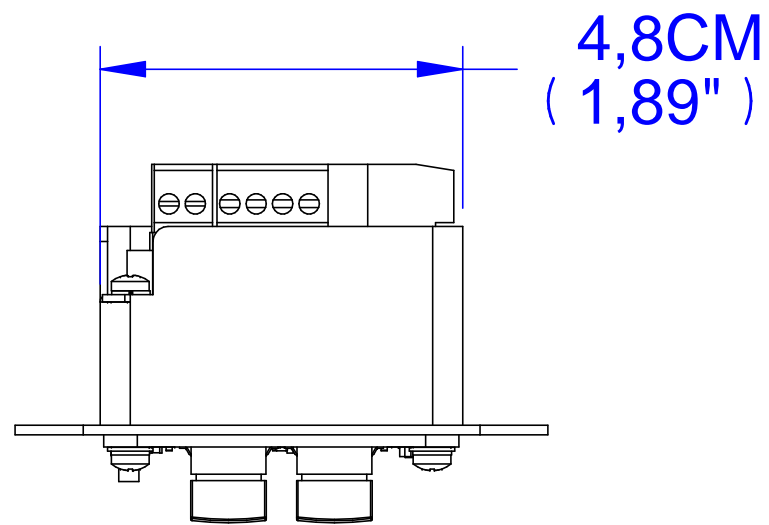
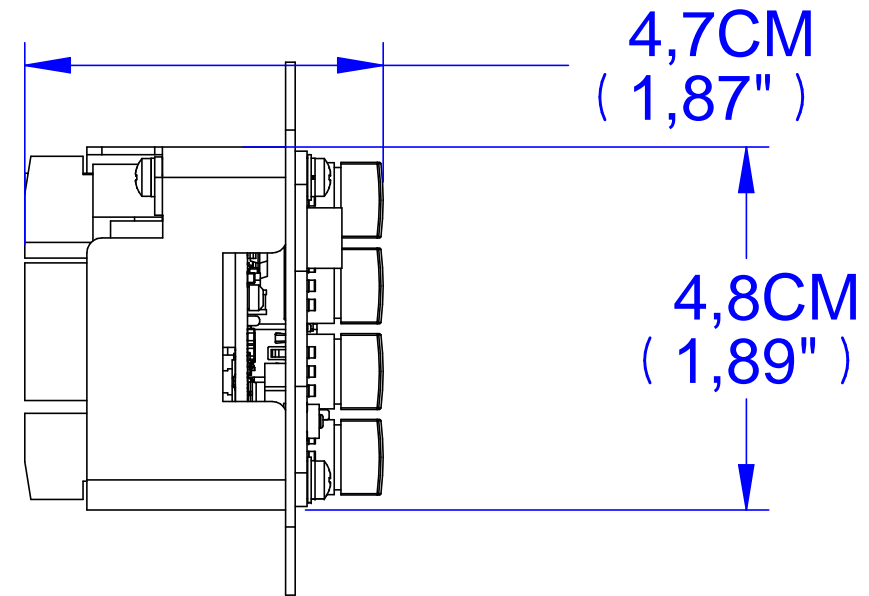
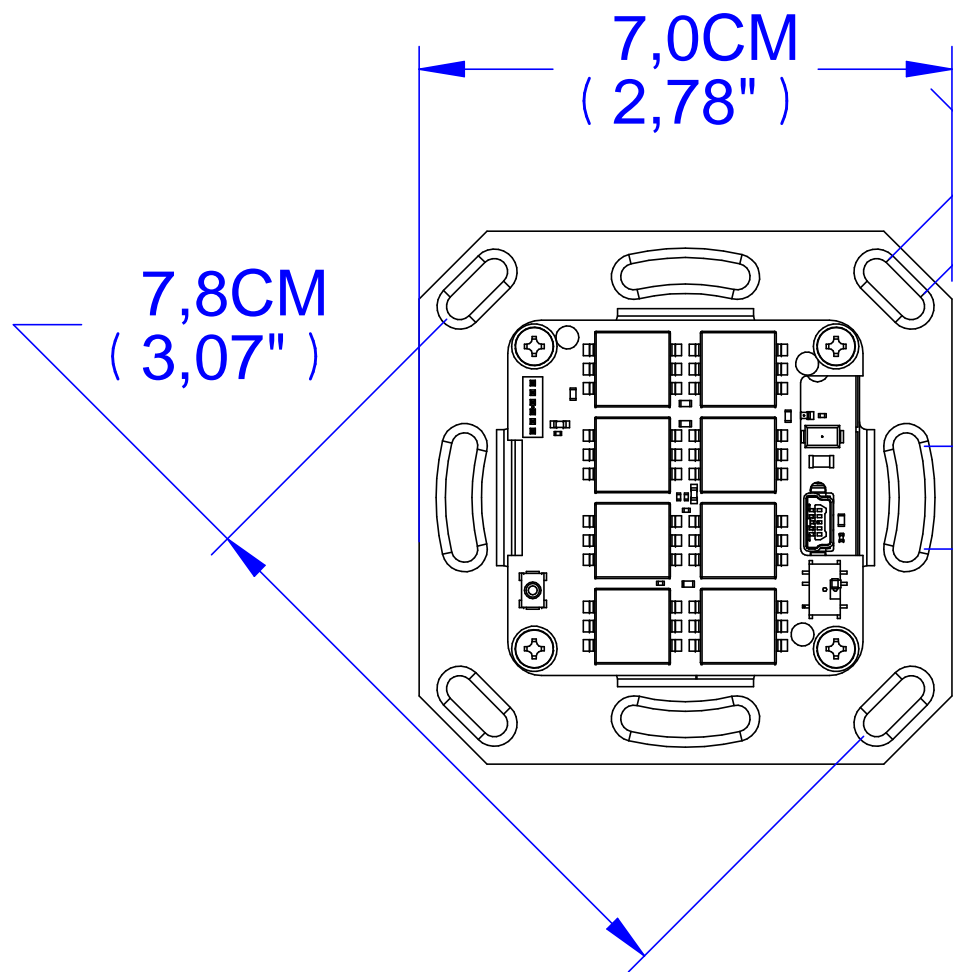

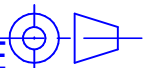


REV.	DESCRIPTION	ECO NO.	UPDATE BY	DATE	APPROVED
A	DRAWING RELEASE	013759	F.Roif	04/02/18	RADU N.



	NAME	DATE	 KRAMER ELECTRONICS LTD. JERUSALEM, ISRAEL		
DRAWN	F.Roif	04/02/18			
APPROVED	RADU N.	04/02/18			
SHEET 1 OF 1	Project : RC-308E-OUTLINE		SIZE A3	KRAMER DRW.: OL000195	REV. A