

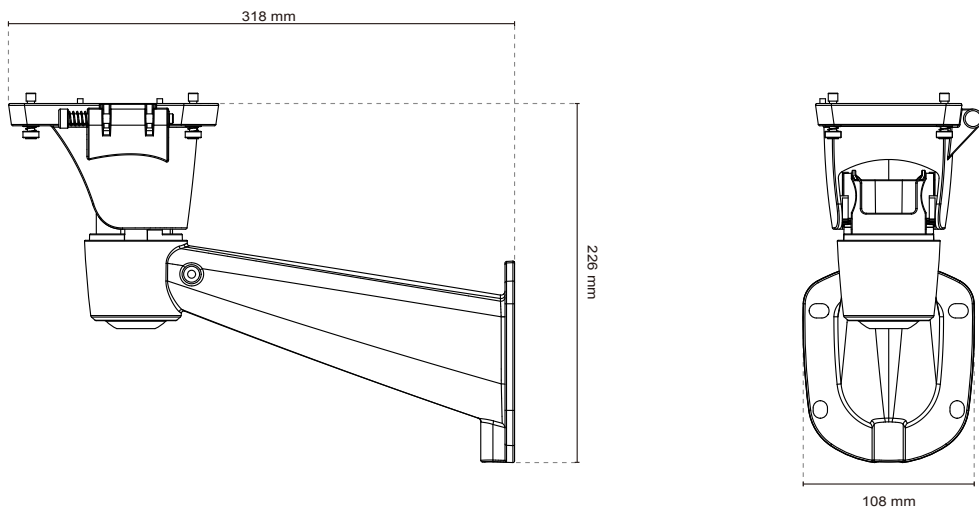
BK-101

Wall Mount Bracket



Technical Specifications

Model	BK-101
Construction	Aluminum
Dimensions (L x W x H)	318 x 108 x 226 mm
Pan Angle	360°
Title Angle	-66.5°~ 0°
Color	White
Safety Wire	Support
Max. Load	10 KG
Weight	1.05 KG
Supported Models	Enclosure : A10/A50/P20/P50/P60 Series Junction Box: JB-100 Power Box: PB-024-1AC, PB-024-2AC Pole Mount: AT-100, AT-101 Corner Mount : AT-200



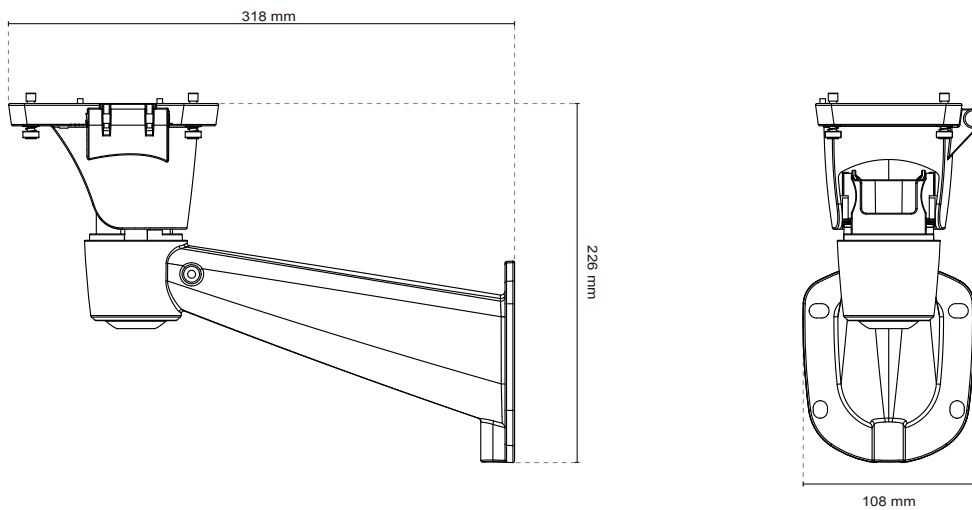
BK-102

Wall Mount Bracket



Technical Specifications

Model	BK-102
Construction	Aluminum
Dimensions (L x W x H)	318 x 108 x 226 mm
Pan Angle	360°
Title Angle	-66.5°~ 0°
Color	White
Max. Load	10 KG
Weight	1.05 KG
Supported Models	Enclosure : A10/A50/P20/P50/P60 Series Junction Box: JB-100 Power Box: PB-024-1AC, PB-024-2AC Pole Mount: AT-100, AT-101 Corner Mount : AT-200



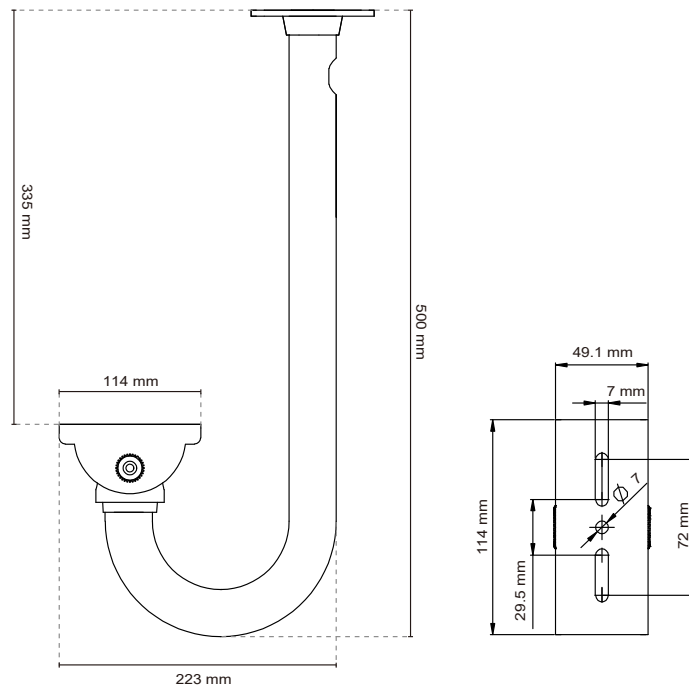
BK-200

J-Mount Bracket



Technical Specifications

Model	BK-200
Construction	Aluminum
Dimensions (L x W x H)	49.1 x 223 x 500 mm
PanAngle	360°
Title Angle	-80° ~ 80°
Color	White
Max. Load	4 KG
Weight	0.63 KG
Supported Models	Enclosure : A10/A50/P20/P50/P60 Series



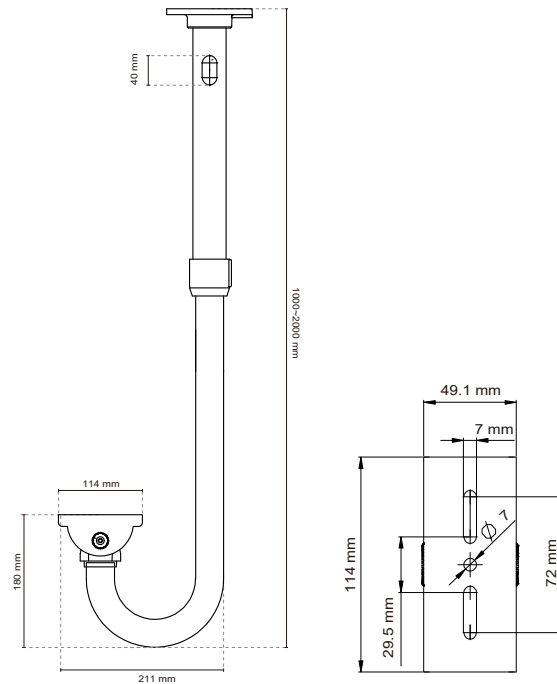
BK-201

Retractable J-Mount Bracket



Technical Specifications

Model	BK-201
Construction	Aluminum
Dimensions (L x W x H)	49.1 x 211 x 1000 mm * Length extends from 1000mm to 2000mm
PanAngle	360°
Title Angle	-80°~ 80°
Color	White
Max. Load	4 KG
Weight	1.65 KG
Supported Models	Enclosure : A10/A50/P20/P50/P60 Series



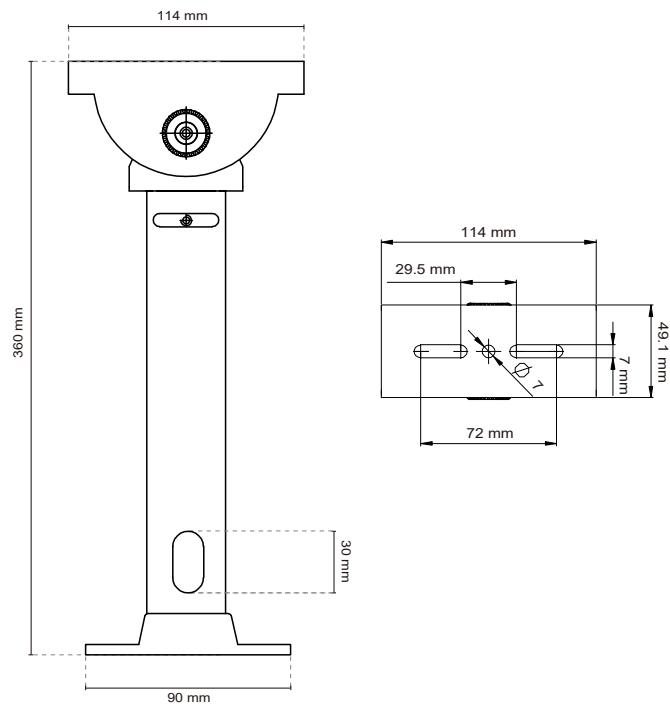


BK-300

Standing Mount Bracket

Technical Specifications

Model	BK-300
Construction	Aluminum
Dimensions (L x W x H)	49.1 x 114 x 360 mm
PanAngle	360°
Title Angle	-80°~ 80°
Color	White
Max. Load	4 KG
Weight	0.53 KG
Supported Models	Enclosure : A10/A50/P20/P50/P60 Series



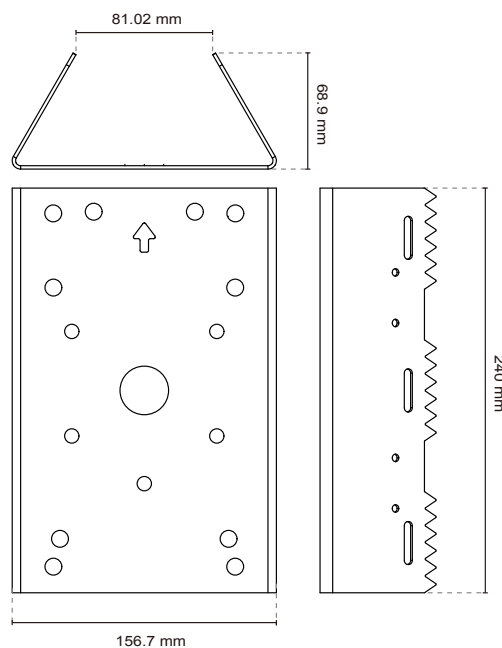
AT-100

Pole Mount Adapter



Technical Specifications

Model	AT-100
Construction	SPCC
Dimensions (L x W x H)	156.7 x 68.9 x 240 mm
Suitable for Pole Diameter	89~15.24mm
Color	White
Max. Load	25 KG
Weight	1.26 KG
Supported Models	Enclosure : A10/A50/P20/P50/P60 Series Junction Box: JB-100 Power Box: PB-024-1AC, PB-024-2AC Outdoor PoE Switch: H40/H80 Series



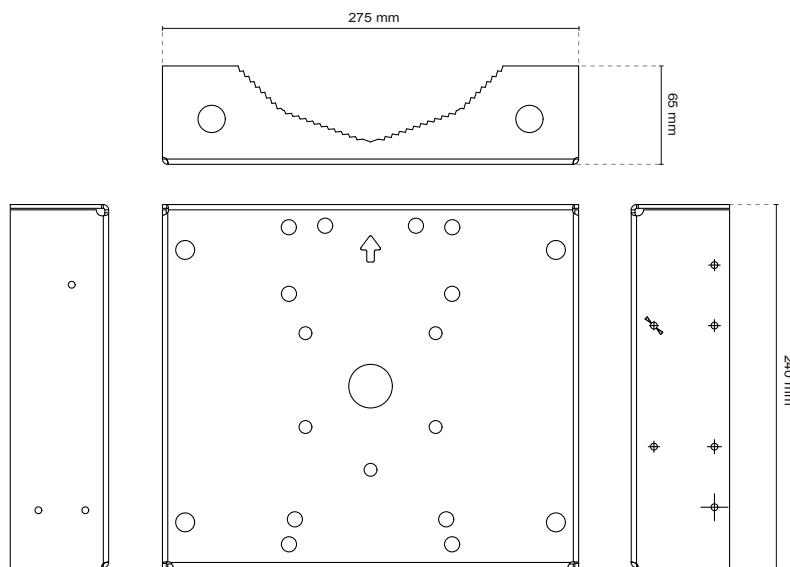
AT-101

Retractable Pole Mount Adapter



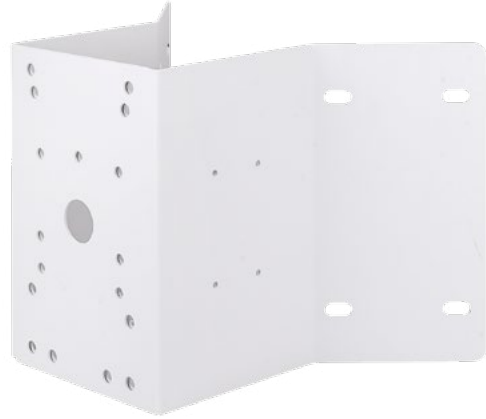
Technical Specifications

Model	AT-101
Construction	SPCC
Dimensions (L x W x H)	136 x 275 x 240 mm * Length extends from 136mm to 280.7mm
Suitable for Pole Diameter	100~230mm
Color	White
Max. Load	25 KG
Weight	4.85 KG
Supported Models	Enclosure : A10/A50/P20/P50/P60 Series Junction Box: JB-100 Power Box: PB-024-1AC, PB-024-2AC Outdoor PoE Switch: H40/H80 Series



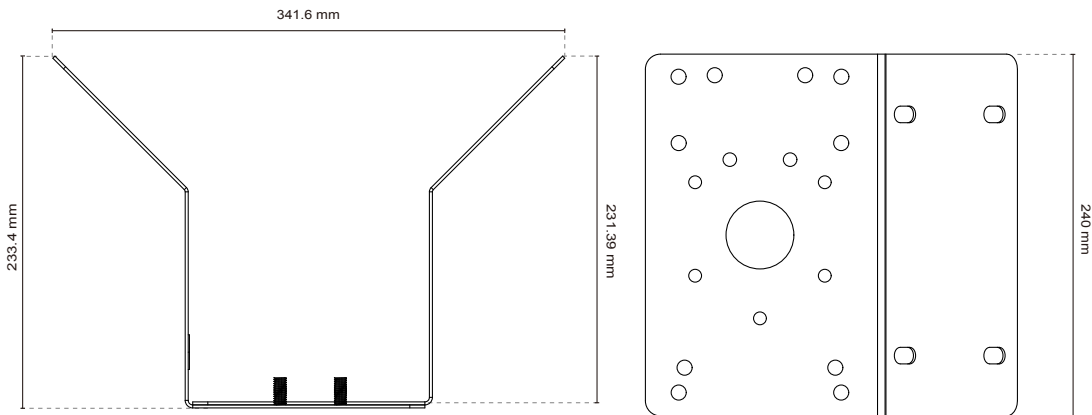
AT-200

Corner Mount Adapter



Technical Specifications

Model	AT-200
Construction	SPCC
Dimensions (L x W x H)	240 x 341.6 x 233.4 mm
Color	White
Max. Load	25 KG
Weight	3.13 KG
Supported Models	Enclosure : A10/A50/P20/P50/P60 Series Junction Box: JB-100 Power Box: PB-024-1AC, PB-024-2AC Outdoor PoE Switch: H40/H80 Series



TP-100

Water Tank & Pump



Technical Specifications

Model	TP-100
Construction	Polyethylene tank, stainless steel cage
Dimensions (L x W x H)	405.5 x 194 x 267 mm
Water Tank Capacity	10L
Delivery Head	4.5m
Tube Length	4.5m
Input Power	24VAC/DC
20% Low Water Level Alarm	Support
Weight	2.75 KG
Connectors	M12x4
Operating Temperature	0 °C ~ 60 °C
Mount Type	Wall Mount / Pole Mount
Supported Models	Camera Housing: P20/P60 Series

