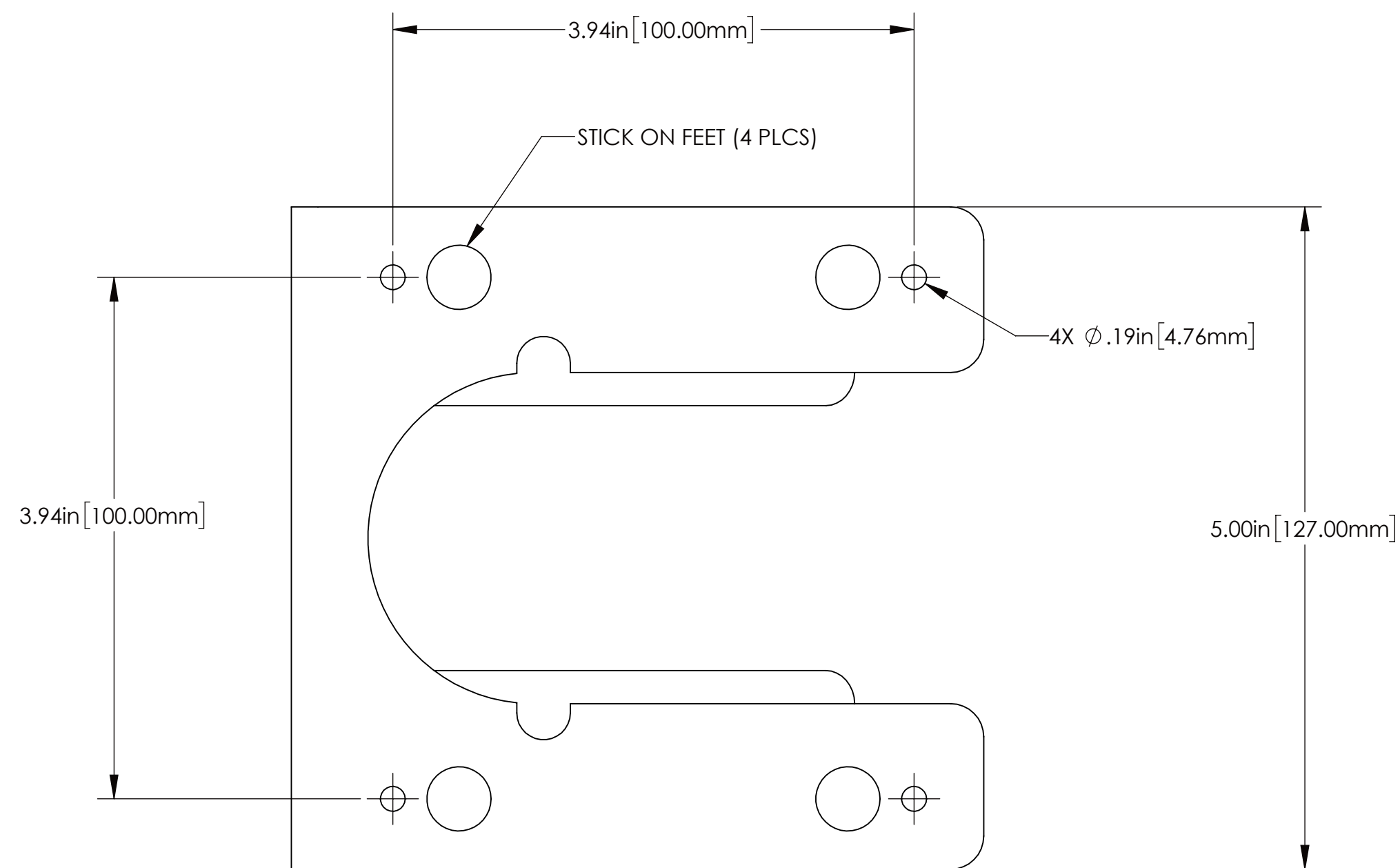
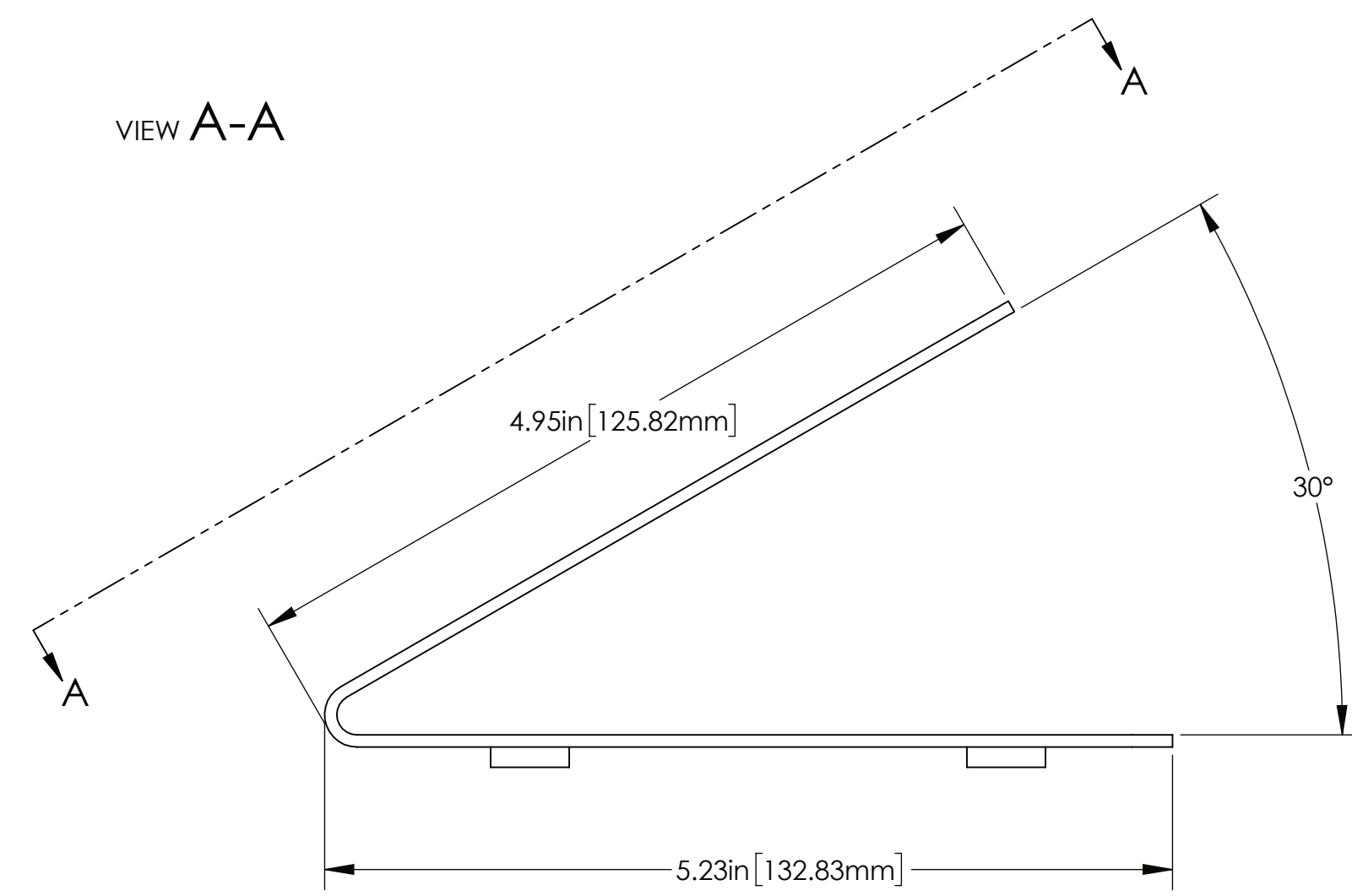


VIEW A-A



DRAWING NO.
42300-000

UNLESS OTHERWISE NOTED: DIMENSIONS ARE IN INCHES DIMENSIONAL LIMITS APPLY AFTER FINISH		THIS DRAWING, INCLUDING ALL SUBJECT MATTERS INDICATED THEREON OR DERIVED THEREFROM, COMPRSES PROPRIETARY INFORMATION AND IS THE EXPRESS PROPERTY OF LEGRAND AV INC. EMPLOYMENT, REPRODUCTION OF OR DISSEMINATION OF THIS DRAWING, IN WHOLE OR IN PART, WITHOUT WRITTEN PERMISSION OF LEGRAND AV INC IS STRICTLY FORBIDDEN.	
MACHINED SURFACES 125 EDGES & FILLETS R .005/.015 ✓		vaddio [®]	
DRAWN WLF	CHECKED	APPROVED	DATE 6/16/20
FRACTIONS ± 1/32		SIZE D	
ANGLES ± 1°		SCALE 1:1	
DEC. XX = ± .015	XXX = ± .005	MATERIAL VARIOUS	
XXXX = ± .0002		FINISH NONE	
TITLE VADDIO DEVICE CONTROLLER	SHEET 1 OF 1	DRAWING NO. 42300-000	REV. A