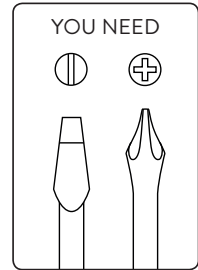
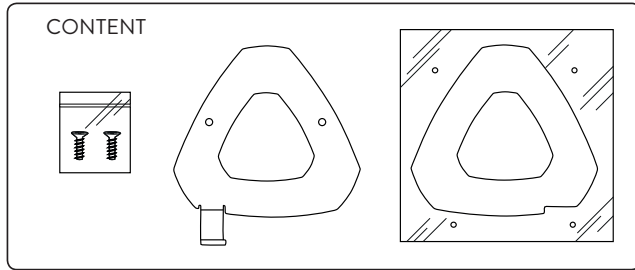
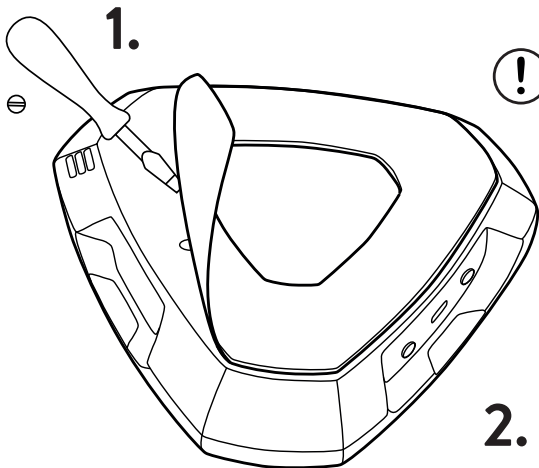
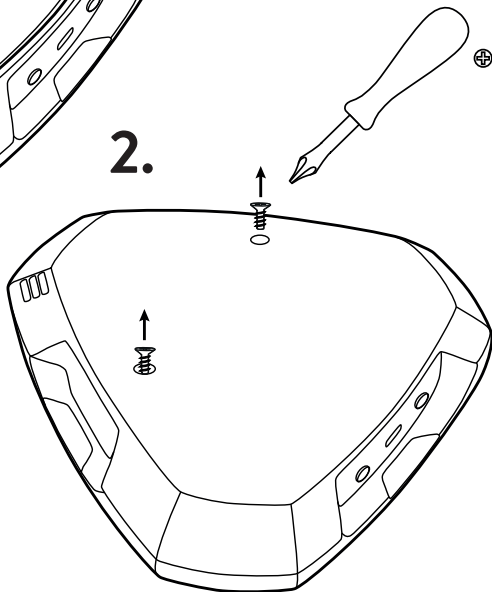


LOCKING KIT

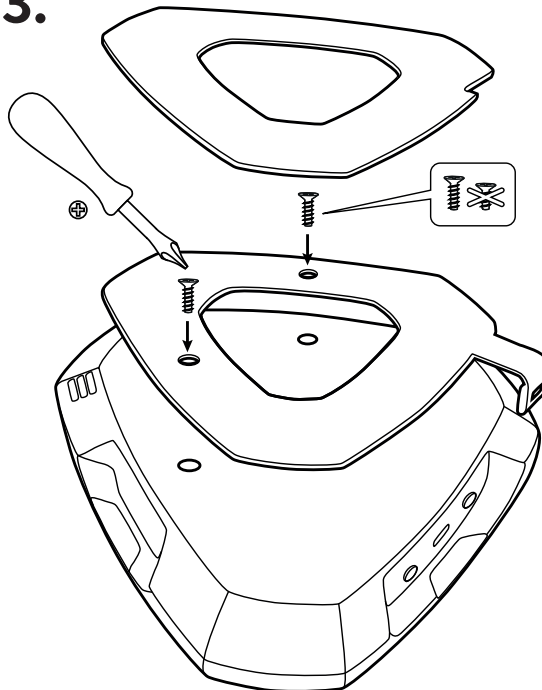




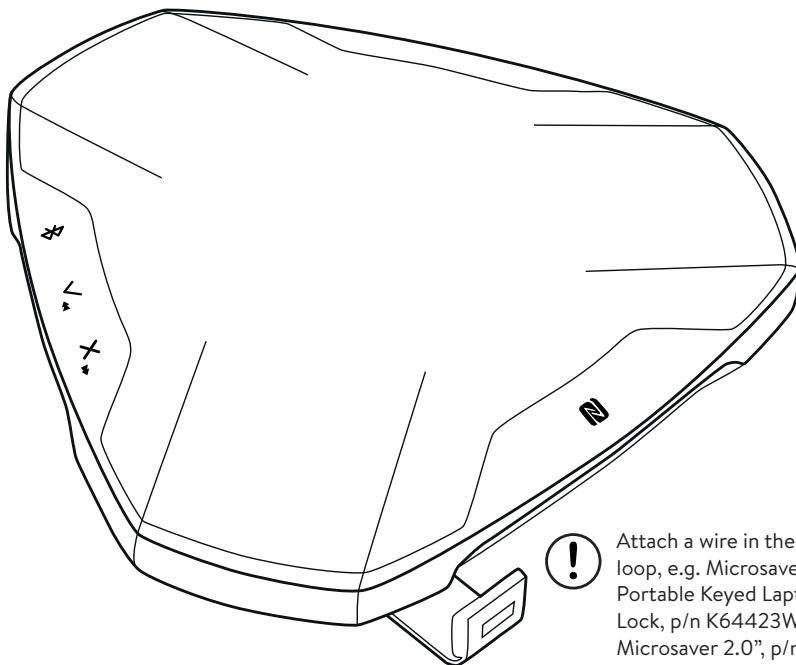
Use a screw driver or other tool to remove the rubber foot. Make sure the surface is plain without adhesive residue.



3.



4.



Attach a wire in the loop, e.g. Microsaver 2.0 Portable Keyed Laptop Lock, p/n K64423WW, Microsaver 2.0", p/n K65020EU or other.