

PAGENETDN

DIGITAL CONTROLS

EclerNet DANTE™/AES67 Paging Station & Control Touch-Screen



PRODUCT OVERVIEW

PAGENETDN is a programmable Paging Station with dual audio output: DANTE™/AES67 (digital) and analogue (balanced). This way, its control features and its microphone signal can be used for paging together with any EclerNet digital matrix, no matter whether it supports DANTE™/AES67 or not: MIO4040DN, MIMO88, MIMO88SG and MIMO1212SG.

At the same time it shares the same control features as the WPNETTOUCH, and can be programmed to control one or more networked EclerNet devices; it can even control a full installation, a project combining a multitude of different EclerNet devices: MIMO4040DN, MIMO88, MIMO88SG, MIMO1212SG digital matrices, NXA series digital audio managers, DUO-NET PLAYER units, etc. It is fully programmable through the EclerNet Manager application (*).

(*) Refer to the EclerNet Manager Application manual for more information. The EclerNet Manager application is available for download at www.ecler.com.

It comes with a desktop console design, including a gooseneck microphone and a 10" capacitive touch screen panel that can show and manage the User Control Panels for paging and for the control of networked EclerNet devices, VEO video devices and third-party devices.

KEY FEATURES

- EclerNet control device, with the ability to execute EclerNet projects on its internal engine, acting as a server and / or client of UCP panels
- 10 “capacitive touch screen
- Ethernet network connection
- POE or external power supply (multi-plug universal PSU included)
- VESA75 and desktop mounting systems included
- Digital touchscreen embedded control panel, including the same features as the WPNETTOUCH device:
 - 10.1” IPS display (1280 x 800 pixels)
 - Capacitive & multitouch touch panel
- PoE DC supply compatible
- External power supply compatible: external & universal PSU included + multi-plug AC set
- Ethernet Base-Tx 10/100Mb interface
- Flexo type gooseneck microphone included, XLR connector with safety flap (to avoid microphone unwanted removal)
- Audio transport using DANTE™/AES67, 2 channels:
 - DANTE™/AES67 channel #1 used for microphone signal transmission
 - DANTE™/AES67 channel #2 used for AUX input signal transmission
- Phantom Power available for the MIC input
- MIC out, analogue balanced signal, that makes the PAGENETDN unit compatible for paging in combination with devices that don't support DANTE™/AES67 in a native way, as the MIMO88, MIMO88SG and MIMO1212SG
- AUX input, stereo LINE, RCA connectors. The incoming signal is converted to mono and sent to the network using DANTE™/AES67 channel #2. It can be used to connect an external audio source (like a media player) and inject its signal to the network in DANTE™/AES67 format
- Paging features based on programmable UCP control panels
- EclerNet control device, with the ability to execute EclerNet projects on its internal engine, acting as a server and / or client of UCP panels

APPLICATIONS

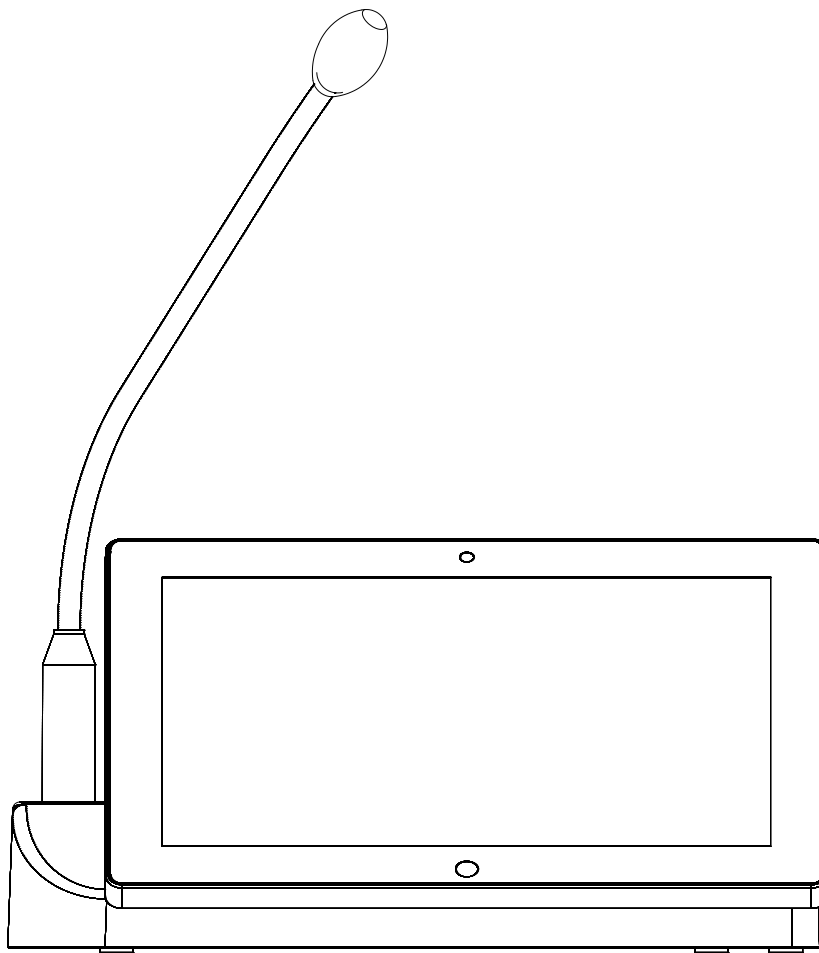
- Commercial
- Hospitality
- Education
- Corporate
- Sports and wellness

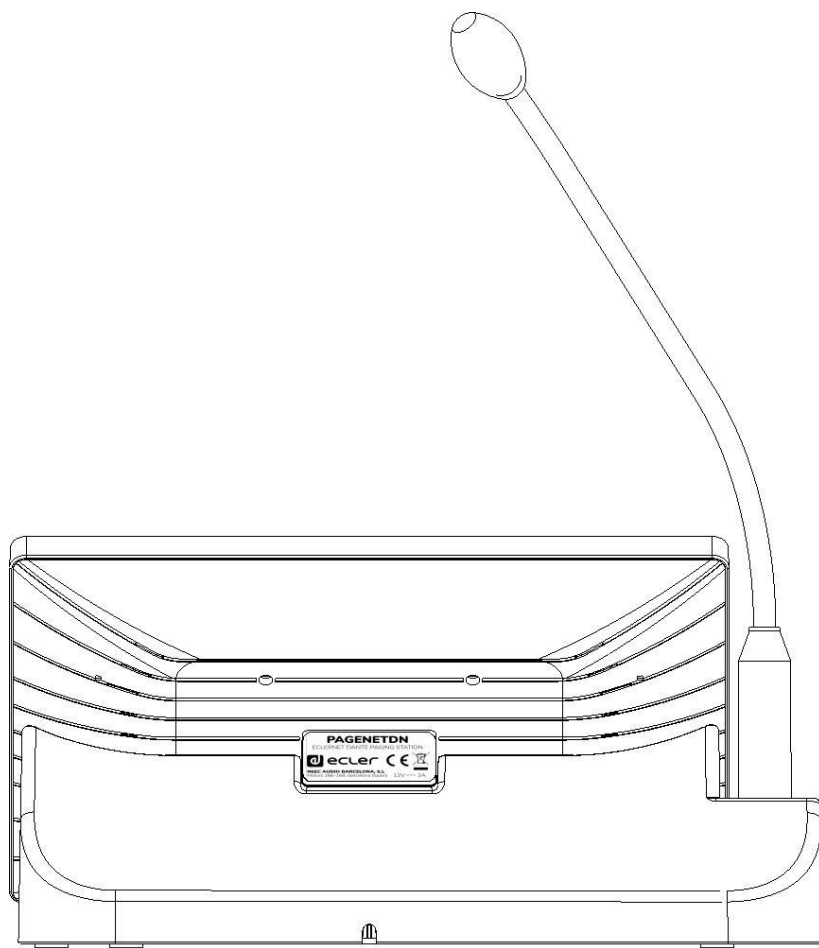
TECHNICAL SPECIFICATIONS

| MIC INPUT | |
|------------------------------------|---|
| Microphone type | Removable gooseneck condenser microphone (eMCN1) |
| Polar pattern | Unidireccional |
| Microphone freq. response | 50Hz – 18kHz (-10dB) |
| Phantom Voltage | 48VDC, ON/OFF by internal JUMPER |
| Output level with eMCN1 MICROPHONE | -5dBV @ 94dB SPL with ADJ MAX. -10dBV @ 94dB SPL with ADJ MID. |
| HPF | -20dBV @ 94dB SPL with ADJ MIN. 100Hz 12dB/oct ON/OFF by internal JUMPER |
| LINE INPUT | |
| Connector | RCA |
| Signal | Line level, L + R |
| Nominal input level | -10dBV |
| Gain adjust | -20dBV / 0dBV |
| Input impedance | >10kΩ |
| DANTE™ AUDIO INTERFACE | |
| DANTE™/AES67 Network Tx channels | 2 |
| Latency | 1 / 2 / 5 ms (selectable) |
| Connector | RJ45 |
| AUDIO OUTPUTS | |
| Microphone output signal Connector | Balanced, analog |
| Output level | Phoenix connector (symmetric) 0dBV |
| System | |
| CPU | RK3128 quad core processor, clocked 1.6G |
| RAM | 1GB |
| ROM | 8GB |
| Screen | |
| Size | 10,1" IPS |
| Resolution | 1280x800 |
| Contrast ratio | 1300 |
| Brightness | 300cdm2 |
| Screen scale / Display area | 16:9 / 218x135mm |
| Backlight | LED |
| Touch-panel | Capacitive multi-touch |
| Network & Connectivity | |
| Ethernet | Supports PoE |
| Ethernet port | Ethernet Base-Tx 10/100Mb / 1GB CAT5e or better up to 100m. |
| Power | |
| External power supply voltage | 12VDC |

| | |
|--|---|
| Maximum power consumption | 12W from 12V External Power Supply Voltage 15W from PoE PoE: class 0 802.3af Poe PD compliant |
| Mains Voltage | 100-240VAC + External PSU 12VDC |
| General | |
| Dimensions (microphone excluded (WxHxD)) | 295x155x135 mm / 11.6"x6.1"x5.3" |
| Weight | 1.5 kg / 3.3 lbs |
| AC Power Adapter | 100-240VAC 47-63Hz 12V / 2A |
| Accessories included | |
| AC power adapter | 100-240VAC 47-63Hz 12V / 1.5A, multiplug |
| Microphone | Ecler eMCN1 |

MECHANICAL DIAGRAM





All product characteristics are subject to variation due to production tolerances. **NEEC AUDIO BARCELONA S.L.** reserves the right to make changes or improvements in the design or manufacturing that may affect these product specifications.

For technical requests address to your supplier, distributor or fill the contact form in our website, at Support / Technical Request.

Motors, 166-168 08038 Barcelona - Spain - (+34) 932238403 | information@ecler.com | www.ecler.com