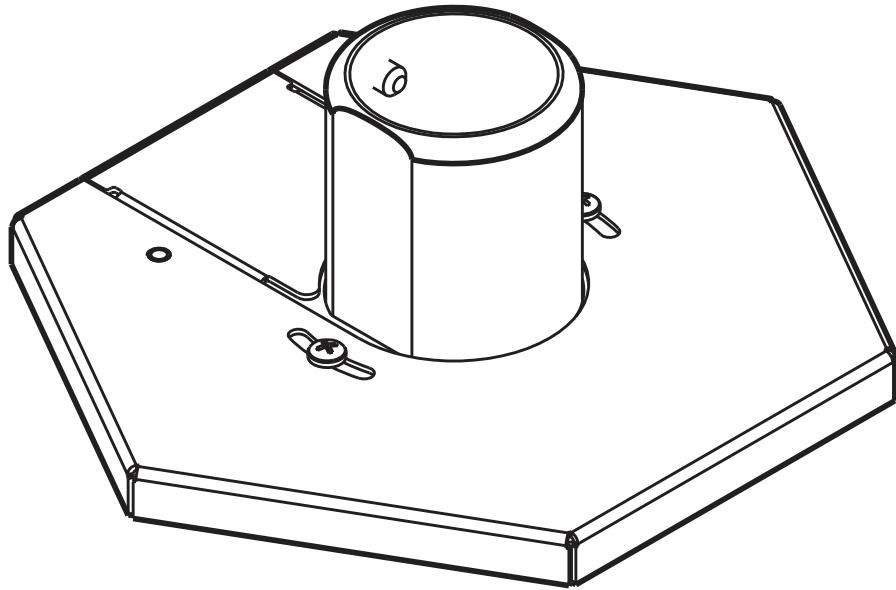

INSTALLATION INSTRUCTIONS



Floor/Ceiling Plate

DISCLAIMER

Milestone AV Technologies and its affiliated corporations and subsidiaries (collectively "Milestone"), intend to make this manual accurate and complete. However, Milestone makes no claim that the information contained herein covers all details, conditions or variations, nor does it provide for every possible contingency in connection with the installation or use of this product. The information contained in this document is subject to change without notice or obligation of any kind. Milestone makes no representation of warranty, expressed or implied, regarding the information contained herein. Milestone assumes no responsibility for accuracy, completeness or sufficiency of the information contained in this document.

Chief® is a registered trademark of Milestone AV Technologies. All rights reserved.

DEFINITIONS

MOUNTING SYSTEM: A MOUNTING SYSTEM is the primary Chief product to which an accessory and/or component is attached.

ACCESSORY: AN ACCESSORY is the secondary Chief product which is attached to a primary Chief product, and may have a component attached or setting on it.

COMPONENT: A COMPONENT is an audiovisual item designed to be attached or resting on an accessory or mounting system such as a video camera, CPU, screen, display, projector, etc.



WARNING: A WARNING alerts you to the possibility of serious injury or death if you do not follow the instructions.



CAUTION: A CAUTION alerts you to the possibility of damage or destruction of equipment if you do not follow the corresponding instructions.



IMPORTANT SAFETY INSTRUCTIONS



WARNING: Failure to read, thoroughly understand, and follow all instructions can result in serious personal injury, damage to equipment, or voiding of factory warranty! It is the installer's responsibility to make sure all accessories are properly assembled and installed using the instructions provided.



WARNING: Failure to provide adequate structural strength for this accessory can result in serious personal injury or damage to equipment! It is the installer's responsibility to make sure the structure to which this accessory is attached can support five times the combined weight of all equipment. Reinforce the structure as required before installing the accessory.



WARNING: Exceeding the weight capacity can result in serious personal injury or damage to equipment! It is the installer's responsibility to make sure the combined weight of all components attached to accessory does not exceed 500 lbs (226.8 kg).

- The weight capacity of the CPA351 may be LIMITED to the lowest weight capacity of any other component or accessory used within the mounting system.



WARNING: Use this accessory only for its intended use as described in these instructions. Do not use attachments not recommended by the manufacturer.



WARNING: Never operate this accessory if it is damaged. Return the accessory to a service center for examination and repair.



WARNING: Do not use this accessory outdoors.

IMPORTANT ! : The CPA351 accessory is designed to be:

- mounted to a 2" x 6" wood framework covered with 5/8" drywall (hardware not included); or
- mounted to an 8" concrete structure using either 1/4" x 2-1/2" lag bolts for Toggler AF8 anchors (not included), or 5/16" x 2-1/2" lag bolts for Fischer UX10 concrete anchors (not included).

NOTE: The CPA351 may be used with the UL Listed CPA Extension Column series, CPA Perforated Extension Column series, UL Listed CMS Extension Column series, CMA ceiling plates and CPA ceiling plates.



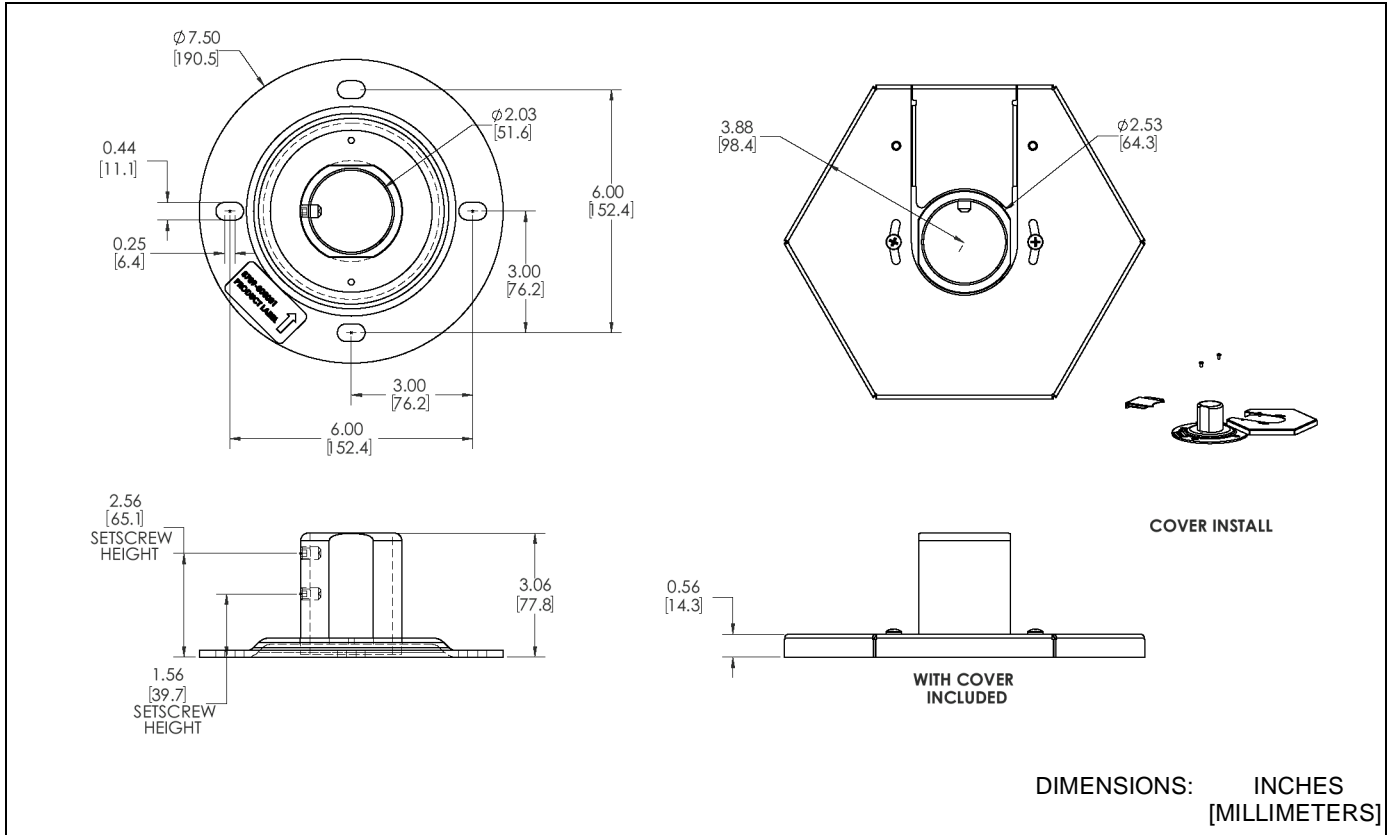
WARNING: Do NOT attach to vertical mounting surfaces such as walls or angled ceilings!



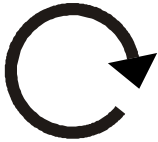

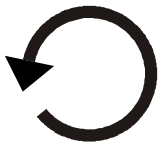




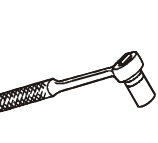
WARNING: The CPA351 **MUST** be used along with a second CPA351 [one as a ceiling attachment, one as a floor attachment] **OR** as a floor attachment in conjunction with a CPA or CMA ceiling plate as a ceiling attachment. The CPA351 may **NOT** be used as a ceiling plate without a second CPA351 as a floor attachment.

--SAVE THESE INSTRUCTIONS--

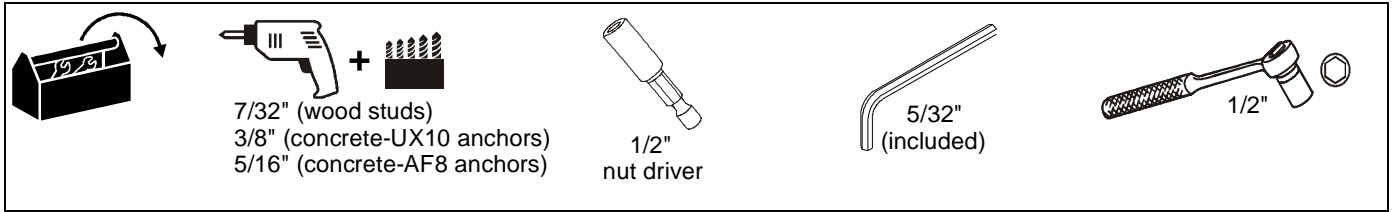
DIMENSIONS



LEGEND

	Tighten Fastener Apretar elemento de fijación Befestigungsteil festziehen Apertar fixador Serrare il fissaggio Bevestiging vastdraaien Serrez les fixations		Pencil Mark Marcar con lápiz Stiftmarkierung Marcar com lápis Segno a matita Potloodmerkteken Marquage au crayon
	Loosen Fastener Aflojar elemento de fijación Befestigungsteil lösen Desapertar fixador Allentare il fissaggio Bevestiging losdraaien Desserrez les fixations		Drill Hole Perforar Bohrloch Fazer furo Praticare un foro Gat boren Percez un trou
	By Hand A mano Von Hand Com a mão A mano Met de hand À la main		Optional Opcional Optional Opcional Opzionale Optie En option
	Hex-Head Wrench Llave de cabeza hexagonal Sechskantschlüssel Chave de cabeça sextavada Chiave esagonale Zeskantsleutel Clé à tête hexagonale		Socket Wrench Llave de cubo Steckschlüssel Chave de caixa Chiave a brugola Dopsleutel Clé à douilles

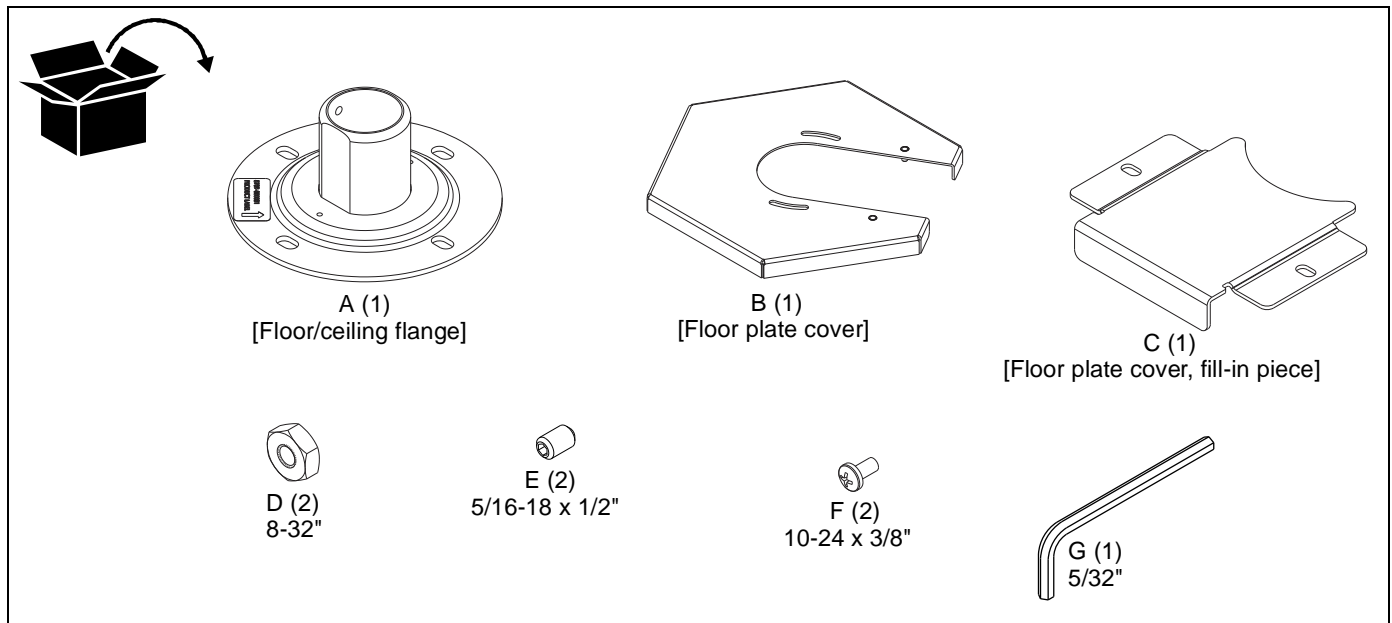
TOOLS REQUIRED FOR INSTALLATION



HARDWARE REQUIRED (NOT INCLUDED)--Dependent on installation method

- | | |
|--|---|
| <p>1. Install to wood joists</p> <ul style="list-style-type: none"> • 5/16" x 2-3/4" (minimum length) lag screws (Qty. 4) • 5/16" flat washers (Qty. 4) | <p>2. Install to solid concrete</p> <ul style="list-style-type: none"> • UX10 or AF8 anchors (Qty. 4) • 5/16" flat washers (Qty. 4) • 5/16" x 2-3/4" bolts (Qty. 4) |
|--|---|

PARTS



INSTALLATION AND ASSEMBLY

The CPA351 is designed for attachment to a double 2" x 4" wood framework or a concrete structure.

IMPORTANT ! : The CPA351 must be used for both the ceiling and floor attachment, OR may be used as the floor attachment accessory in conjunction with a CPA or CMA ceiling plate.



WARNING: Do NOT attach to vertical mounting surfaces such as walls or angled ceilings!



WARNING: IMPROPER INSTALLATION CAN LEAD TO LIFT FALLING CAUSING SEVERE PERSONAL INJURY OR DAMAGE TO EQUIPMENT! It is the installer's responsibility to make certain the structure to which the mount is being attached is capable of supporting five times the weight of the CPA351 and all attached equipment. Reinforce the structure as required before installing the mount.

NOTE: The following instructions assume a suitable mounting structure and surface exists prior to installation.

Installing to a Wood Framework (Joists)

IMPORTANT ! : The CPA351 is designed to be mounted to double 2" x 4" wood stud cross bracing (6-1/2" on center) between two joists with a maximum drywall covering of 5/8".

1. Using floor/ceiling flange (A) as a template, mark locations of four pilot holes (See Figure 1). Ensure the marks are in the center of wood joists.

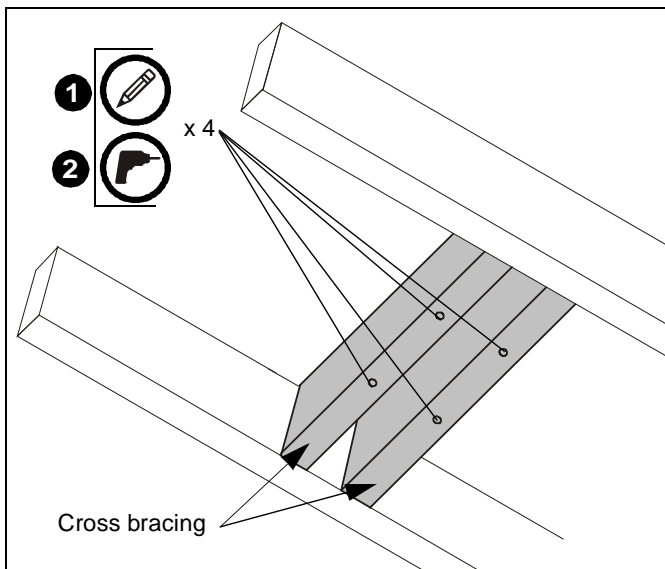


Figure 1

2. Drill 7/32" diameter pilot holes into wood stud cross bracing. (See Figure 1) Ensure pilot holes are straight.
3. Install UL Listed CPA or CMS Extension Column Series (not included) into floor/ceiling flange (A).
4. Loosely install two 5/16" x 1/2" set screws (E) into threaded holes.

IMPORTANT ! : If a CPA351 is being installed both to the ceiling **AND** to the floor, the extension column must rest on the floor when installed in the floor flange.

5. Install and tighten four 5/16" x 2-3/4" (minimum) lag screws (not included) through floor/ceiling flange (A), into wood stud cross bracing. (See Figure 2) (See Figure 3) for dimensions details.
6. Fully tighten set screws (E) into floor/ceiling flange (A).

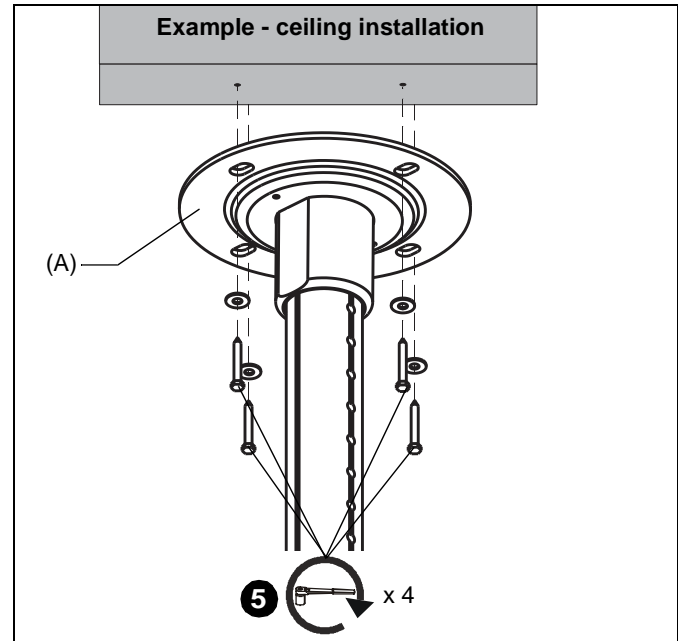


Figure 2

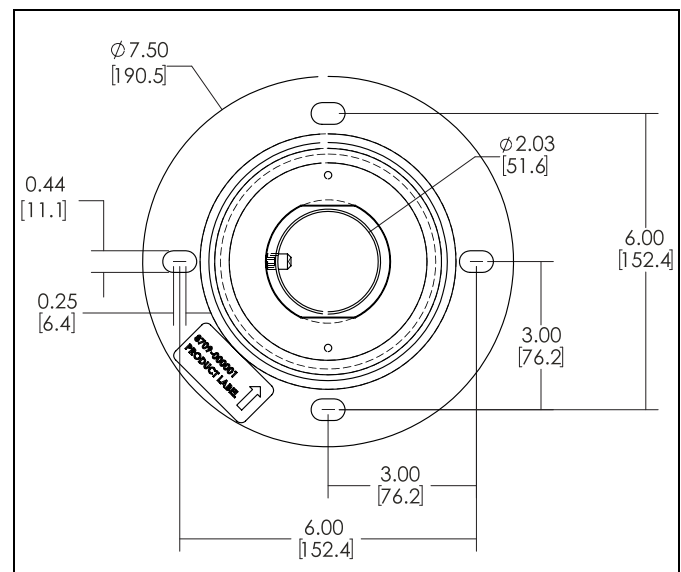


Figure 3

Installing to a Solid Concrete Structure



WARNING: The CPA351 is designed to be mounted to a concrete ceiling or floor with a minimum thickness of 8" and a maximum drywall covering of 5/8" (ceiling).



WARNING: Fischer UX10 or AF8 anchors (not provided) must be installed into structurally sound solid concrete. Installation into hollow concrete block, mortar, or concrete that exhibits cracking, spalling, or other defects may result in failure of anchor and serious personal injury or damage to equipment.

1. Using floor/ceiling flange (A) as a template, mark locations of four pilot holes on ceiling or floor.
2. Drill pilot holes at marked locations. If using UX10 anchors, pilot hole diameter will be 3/8". If using AF8 anchors, pilot hole diameter will be 5/16".
3. Install UL Listed CPA or CMS Extension Column Series (not included) into CPA351. (See Figure 4)
4. Loosely install two 5/16" x 1/2" set screws (E) into threaded holes on floor/ceiling flange. (See Figure 4)

IMPORTANT ! : If a CPA351 is being installed both to the ceiling **AND** to the floor, the extension column must rest on the floor when installed in the floor flange.

5. Use four UX10 anchors (not provided) to secure floor/ceiling flange (A) into solid concrete ceiling or floor. See dimensions details. (See Figure 3)
6. Place flange over anchors, aligning bolt holes in flange with installed anchors.
7. Secure flange to ceiling or floor by installing four 5/16" x 2-3/4" bolts (not provided) through four 5/16" flat washers (not provided) and into anchors.
8. Fully tighten set screws (E) into floor/ceiling flange (A). (See Figure 4)

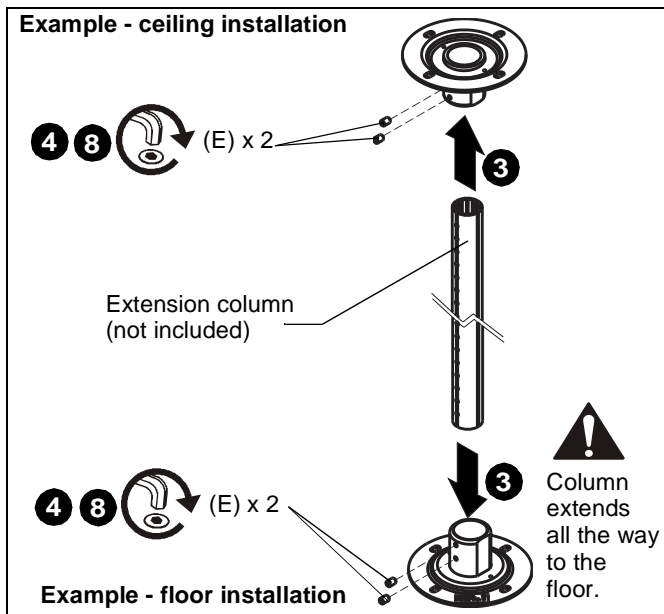


Figure 4

Installing Cover (Optional)

NOTE: The floor plate cover (B) and fill-in piece (C) may be used in the floor installations.

1. Slide the floor plate cover (B) against the flange (A) on one side of the extension column. (See Figure 5)
2. Hold floor plate cover (B) up and slide the fill-in piece (C) into the space in the floor plate cover (B), lining up the holes in the fill-in piece under the studs in the floor plate cover (B). (See Figure 5)
3. Fasten the floor plate cover to the fill-in piece using two 8-32" hex nuts (D).
4. Lower the floor plate cover over the flange and fasten in place using two 10-24 x 3/8" Phillips head screws (F). (See Figure 5)

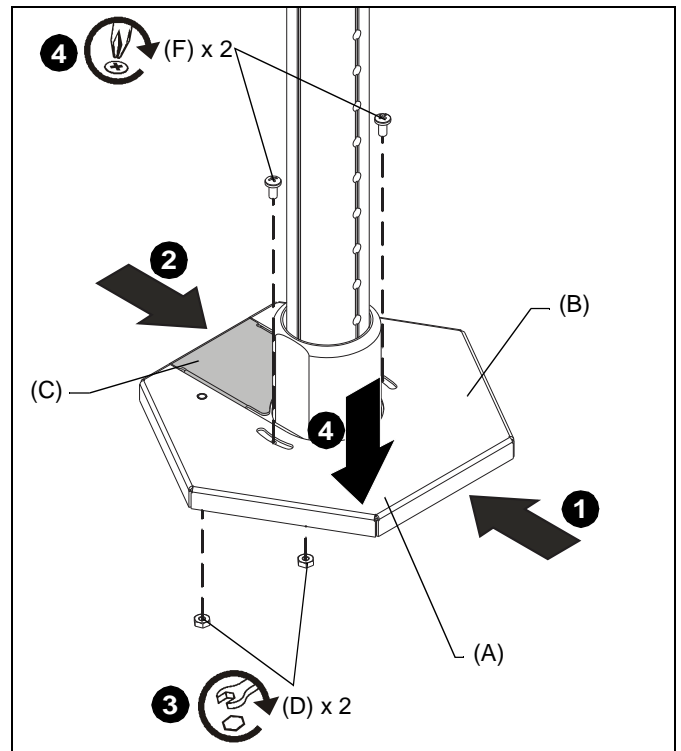


Figure 5

5. Complete installation following mount installation instructions.



Our Mounts. **Your Vision.**

Chief, a products division of
Milestone AV Technologies

8800-002964 Rev00
©2017 Milestone AV Technologies
www.milestone.com
05/17

USA/International	A 6436 City West Parkway, Eden Prairie, MN 55344 P 800.582.6480 / 952.225.6000 F 877.894.6918 / 952.894.6918
Europe	A Franklinstraat 14, 6003 DK Weert, Netherlands P +31 (0) 495 580 852 F +31 (0) 495 580 845
Asia Pacific	A Office No. 918 on 9/F, Shatin Galleria 18-24 Shan Mei Street Fotan, Shatin, Hong Kong P 852 2145 4099 F 852 2145 4477

