

VIC SERIES

CEILING LOUDSPEAKERS

Versatile ceiling loudspeakers



USER MANUAL

INDEX

1. IMPORTANT REMARK.....	3
2. IMPORTANT SAFETY INSTRUCTIONS	3
3. IMPORTANT NOTE.....	5
4. INTRODUCTION	5
4.1 VIC6.....	6
4.2 VIC6X.....	6
4.3 VIC8.....	6
4.4 VIC8X.....	6
4.5 VICSB8	7
4.6 VICSB8X	7
5. CABLE CONNECTIONS	8
5.1. BACK CAN CONNECTIONS.....	9
6. LOCATION AND MOUNTING.....	9
6.1. <i>Installation in false ceiling with bridge anchor (VIC6X / VIC8X / VICSB8X)</i>	10
7. PAINTING.....	13
8. TECHNICAL CHARACTERISTICS	13

1. IMPORTANT REMARK




WARNING: SHOCK HAZARD - DO NOT OPEN
AVIS: RISQUE DE CHOC ÉLECTRIQUE - NE PAS OUVRIR



The lightning flash with arrowhead symbol, within an equilateral triangle, is intended to alert the user to the presence of uninsulated “dangerous voltage” within the product’s enclosure that may be of sufficient magnitude to constitute a risk of electric shock to persons.



The exclamation point within an equilateral triangle is intended to alert the user to the presence of important operating and maintenance (servicing) instructions in the literature accompanying the appliance.

WARNING (If applicable): The terminals marked with symbol of “” may be of sufficient magnitude to constitute a risk of electric shock. The external wiring connected to the terminals requires installation by an instructed person or the use of ready-made leads or cords.

WARNING: To prevent fire or shock hazard, do not expose this equipment to rain or moisture.

WARNING: An apparatus with Class I construction shall be connected to a mains socket-outlet with a protective earthing connection.

2. IMPORTANT SAFETY INSTRUCTIONS

1. Read these instructions.
2. Keep these instructions.
3. Heed all warnings.
4. Follow all instructions.
5. Do not use this apparatus near water.
6. Clean only with dry cloth.
7. Do not block any ventilation openings. Install in accordance with the manufacturer’s instructions.

8. Do not install near any heat sources such as radiators, heat registers, stoves, or other apparatus (including amplifiers) that produce heat.
9. Do not defeat the safety purpose of the polarized or grounding type plug. A polarized plug has two blades with one wider than the other. A grounding type plug has two blades and a third grounding prong. The wide blade or the third prong are provided for your safety. If the provided plug does not fit into your outlet, consult an electrician for replacement of the obsolete outlet.
10. Protect the power cord from being walked on or pinched particularly at the plugs, convenience receptacles, and at the point where they exit from the apparatus.
11. Only use attachments/accessories specified by the manufacturer.
12. Unplug the apparatus during lightening sorts or when unused for long periods of time.
13. Refer all servicing to qualified personnel. Servicing is required when the apparatus has been damaged in any way, such as power supply cord or plug is damaged, liquid has been spilled or objects have fallen into the apparatus, the apparatus has been exposed to rain or moisture, does not operate normally, or has been dropped.
14. Disconnecting from mains: Switching off the POWER switch all the functions and light indicators of the amplifier will be stopped, but fully disconnecting the device from mains is done unplugging the power cord from the mains input socket. For this reason, it always shall remain readily operable.
15. Equipment is connected to a socket-outlet with earthing connection by means of a power cord.
16. The marking information is located at the bottom of apparatus.
17. The apparatus shall not be exposed to dripping or splashing and that no objects filled with liquids, such as vases, shall be placed on apparatus.

NOTE: This equipment has been tested and found to comply with the limits for a Class A digital device, pursuant to part 15 of the FCC Rules. These limits are designed to provide reasonable protection against harmful interference when the equipment is operated in a commercial environment. This equipment generates, uses, and can radiate radio frequency energy and, if not installed and used in accordance with the instruction manual, may cause harmful interference to radio communications. Operation of this equipment in a residential area is likely to cause harmful interference in which case the user will be required to correct the interference at his own expense.



WARNING: This product must not be discarded, under any circumstance, as unsorted urban waste. Take to the nearest electrical and electronic waste treatment centre.

NEEC AUDIO BARCELONA, S.L. accepts no liability for any damage that may be caused to people, animal or objects due to failure to comply with the warnings above.

3. IMPORTANT NOTE

Thank you for choosing our **VIC series versatile ceiling loudspeakers!**

It is **VERY IMPORTANT** to carefully read this manual and to fully understand its contents before any connection in order to maximize your use and get the best performance from this equipment.

To ensure optimal operation of this device, we strongly recommend that its maintenance be carried out by our authorised Technical Services.

All ECLER products are covered by warranty, please refer to www.ecler.com or the warranty card included with this product for the period of validity and conditions.

4. INTRODUCTION

Ecler's line of VIC ceiling loudspeakers features a sleek, minimalist design with a magnetic grille that easily attaches to the speaker. This not only makes installation easy, but also allows the grille to be painted to match the décor of the space.

VIC series provide a careful selection of components in a user-friendly design that seeks speed and versatility of installation on any surface, while maintaining excellent sound quality. The addition of a transformer in all the series allows the maximum versatility of the unit, being able to be used in an intuitive way both in low impedance applications and in line of 100V/70V.

The transducers used for the reproduction of low and medium frequencies are made of polypropylene which ensures excellent stability of the component over time and protects it from environmental factors such as heat and humidity.

The VIC series includes 6 models: VIC6, VIC6X, VIC8, VIC8X, VICSB8 and VICSB8X. All models are supplied in packs of 2 units. The technical specifications of each are described below:

4.1 VIC6

- 2-way false ceiling loudspeaker
- 6,5" polypropylene woofer
- 0,5" tweeter steerable
- Output 40WRMS@8Ω
- 100V/70V in-line connection: 40 / 20 / 10 / 5 / 2,5W
- Sensitivity (1W/1m): 89 dB SPL
- Paintable magnetic metal alloy grille
- Dimensions (ØxD): 232x105mm
- Available in white (RAL9010) finish
- Weight: 1.8kg

4.2 VIC6X

- VIC6 loudspeaker with plastic back cover (back can) included
- Includes tile bridge anchors for false ceiling mounting
- 100V/70V line power selector: 40 / 20 / 10 / 5 / 2,5W.
- Sensitivity (1W/1m): 91 dB SPL
- Paintable magnetic metal alloy grille
- Dimensions (ØxD): 232x170mm
- Available in white (RAL9010) finish
- Weight: 2.3kg

4.3 VIC8

- 2-way false ceiling loudspeaker
- 8" polypropylene woofer
- 0,5" tweeter steerable
- Output 60WRMS@8Ω
- 100V/70V in-line connection: 60 / 30 / 15 / 7,5 / 3,75W
- Sensitivity (1W/1m): 88 dB SPL
- Paintable magnetic metal alloy grille
- Dimensions (ØxD): 282x115mm
- Available in white (RAL9010) finish
- Weight: 2.3kg

4.4 VIC8X

- VIC8 loudspeaker with plastic back cover (back can) included
- Includes tile bridge anchors for false ceiling mounting
- 100V/70V line power selector: 60 / 30 / 15 / 7,5 / 3,75W

- Sensitivity (1W/1m): 93 dB SPL
- Paintable magnetic metal alloy grille
- Dimensions (ØxD): 282x200mm
- Available in white (RAL9010) finish
- Weight: 3.1kg

4.5 VICSB8

- False Ceiling Subwoofer Unit
- 8" polypropylene woofer
- Output 80WRMS@8Ω
- 100V/70V in-line connection: 60 / 30 / 15 / 7.5 / 3,75W
- Sensitivity (1W/1m): 76 dB SPL
- Crossover included
- Paintable magnetic metal alloy grille
- Dimensions (ØxD): 282x135mm
- Available in white (RAL9010) finish
- Weight: 3.2kg

4.6 VICSB8X

- VICSB8 subwoofer unit loudspeaker with plastic back cover (back can) included
- Includes tile bridge anchors for false ceiling mounting
- 100V/70V line power selector: 60 / 30 / 15 / 7,5 / 3,75W
- Sensitivity (1W/1m): 88 dB SPL
- Crossover included
- Paintable magnetic metal alloy grille
- Dimensions (ØxD): 282x200mm
- Available in white (RAL9010) finish
- Weight: 3.9kg

Each model in the series incorporates a protective paintable front circular grille that can be mounted using magnets and dismounted using the hook supplied. Be careful not to damage the loudspeaker when removing the grille.

Two optional accessories are available for the VIC series:

- **AVICSG**: square grille with magnetic mounting. Compatible with all models
- **AVICCAN6L / AVICCAN8L**: 6" or 8" low-profile back can, compatible with VIC6 and VIC8/ VICSB8, respectively.

5. CABLE CONNECTIONS

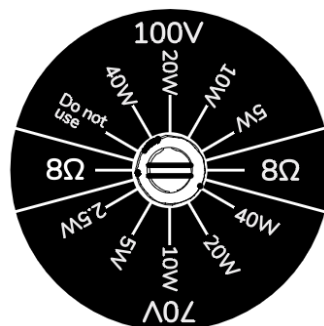
The connection terminals for the models VIC6, VIC8 and VICSB8 are of the connection strip type for stripped cable. Connect the cables depending on the output impedance of the amplifier, as follows:

- High impedance: between the grey (common) terminal and one of the other terminals, depending on the desired power:

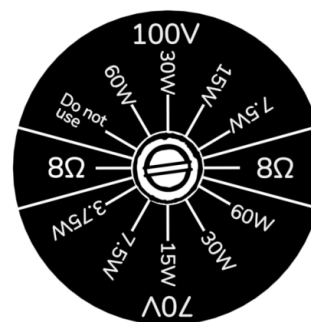
	VIC6		VIC8 and VICSB8	
	70V	100V	70V	100V
Brown	40W	Not available	60W	Not available-
White	20W	40W	30W	60W
Green	10W	20W	15W	30W
Blue	5W	10W	7.5W	15W
Yellow	2.5W	5W	3.75W	7.5W

- Low impedance (8Ω): between the black and white terminals (negative and positive, respectively)

For the VIC6X, VIC8X and VICSB8X models the terminals available in the back cover are pressure clamp for stripped cable. Once connected, it is enough to select the working mode and power of the unit by acting on the selector by means of a flat screwdriver.



VIC6X



VIC8X / VICSB8X

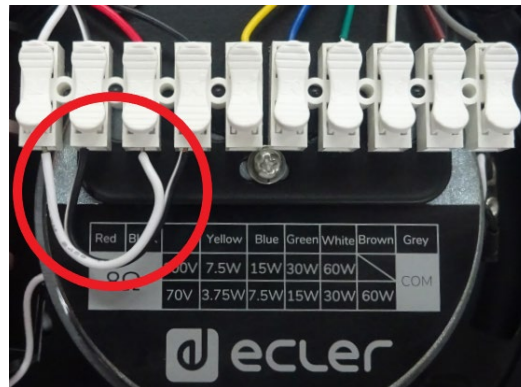
The VIC range is supplied as standard with the switch in the 100V/70V position. If you accidentally connect the system to low impedance 8Ω, it will not cause any damage to the loudspeaker but it will perform well below its performance. If you accidentally connect the loudspeaker to a 100V/70V network in the 8Ω position it will be severely damaged.

Note: if the loudspeaker is used in installations at 70V, the corresponding powers for the 100V position will be reduced to half. In the case of installations at 50V, to a quarter.

5.1. BACK CAN CONNECTIONS

To connect the AVICCAN6L and AVICCAN8L (optional back cover) follow these steps:

1. Disconnect the black and white wires from the VIC loudspeaker that connect the transformer output (red and black wires) to the connection terminals at 8Ω



2. Connect each AVICCAN cable to the speaker connection terminals, each with its corresponding color. The two shortest cables (black and white) correspond to the 8Ω connection



6. LOCATION AND MOUNTING

The installation of each unit is easily carried out by means of the 4 built-in rotating tabs.

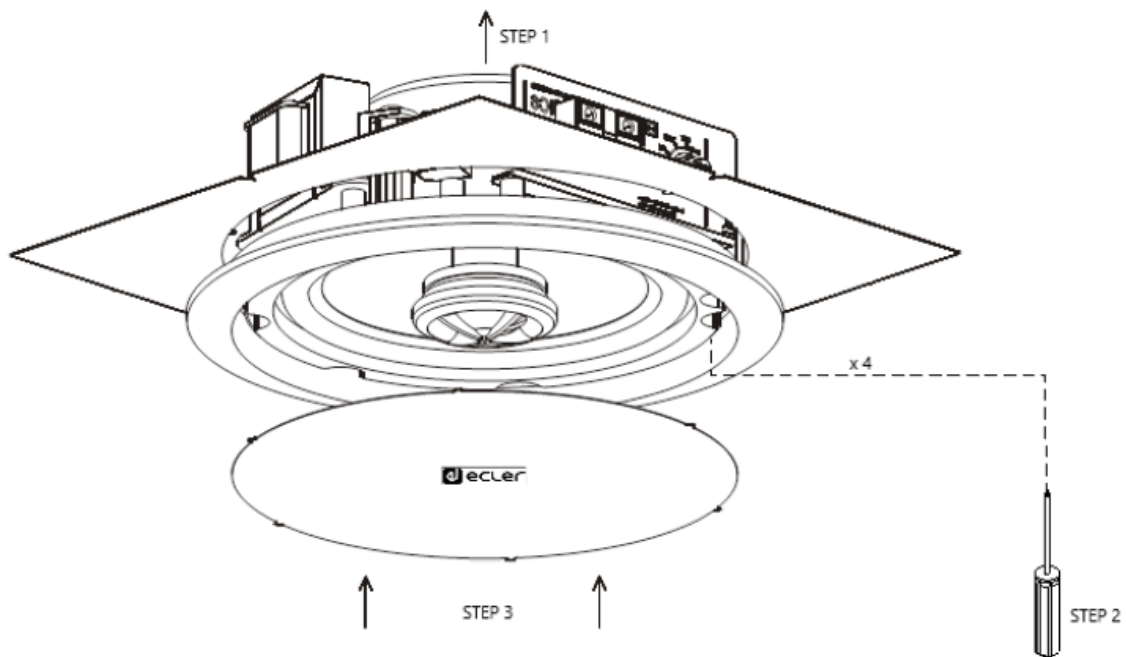
For the correct installation of the product, it is necessary to foresee the realization of circular holes in the places destined to its location as well as the suitable wiring for each unit.

NOTE: Ecler advises against installing the SUB in acoustically transparent ceilings.

Below are the steps to follow for a correct installation:

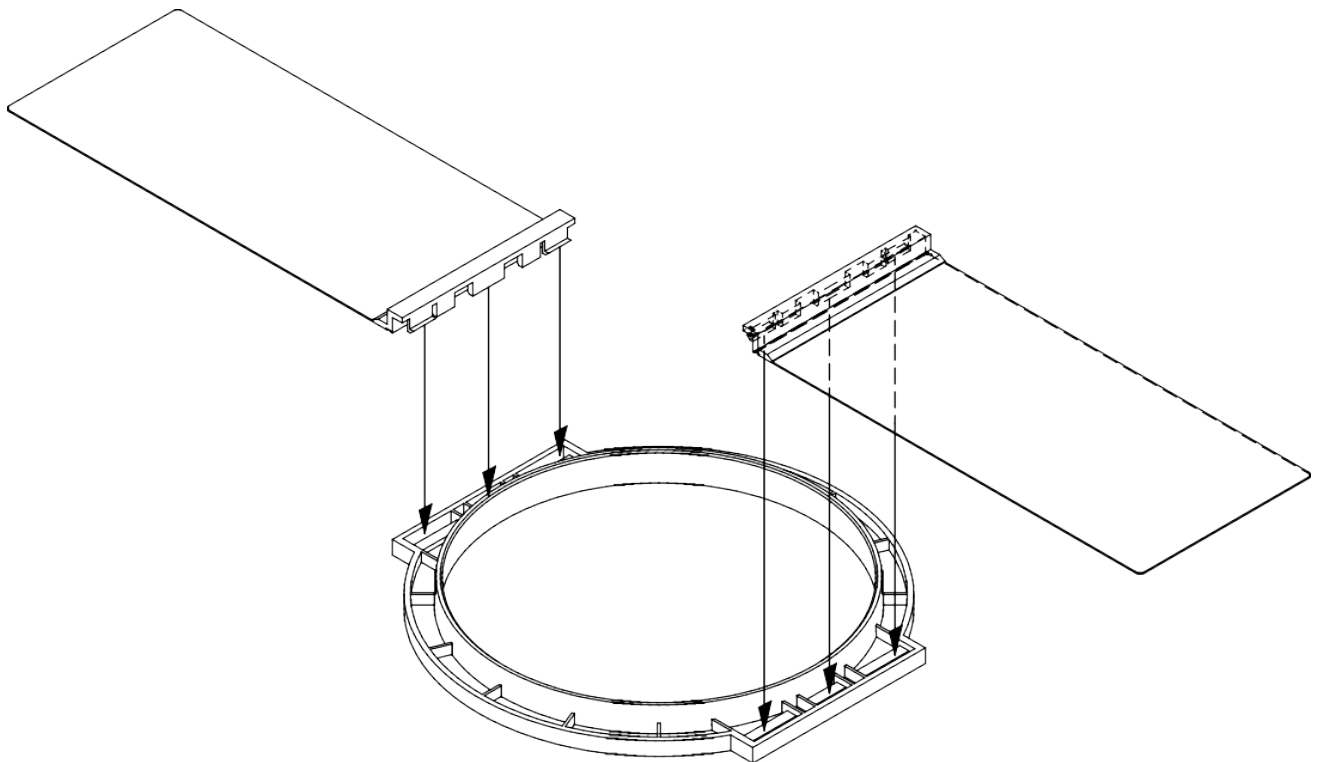
1. Remove the protective grille from the unit using the supplied hook.

2. Make a circular hole in the false ceiling. To facilitate this, a cutting/painting template is supplied with each unit. Once separated into two parts, the external part can be used as a template to mark the hole in the ceiling, while the internal disc can be used to protect the speaker cone if you wish to paint the plastic part in another colour.
3. Make the connection of the existing cables in the installation with the unit by means of the terminals or the pressure clamps.
4. Insert the loudspeaker into the hole drilled. Hold the unit with one hand and insert it into position taking care that the 4 rotating tabs are in the retracted position.
5. Tighten each of the 4 screws accessible from the front of the unit. The loudspeaker will then be fixed in its final position.
6. Point the tweeter to the desired direction
7. Place the protective grille.

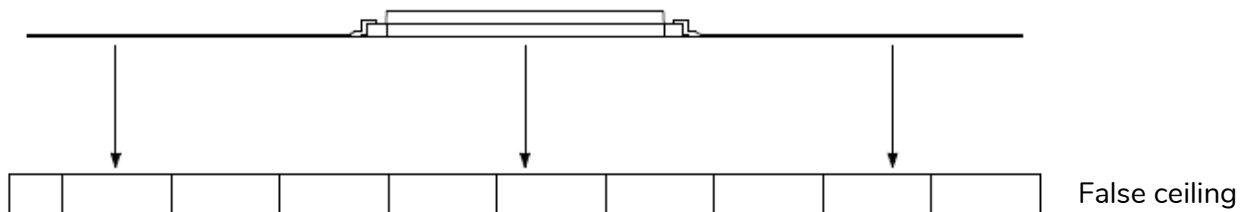


6.1. Installation in false ceiling with bridge anchor (VIC6X / VIC8X / VICSB8X)

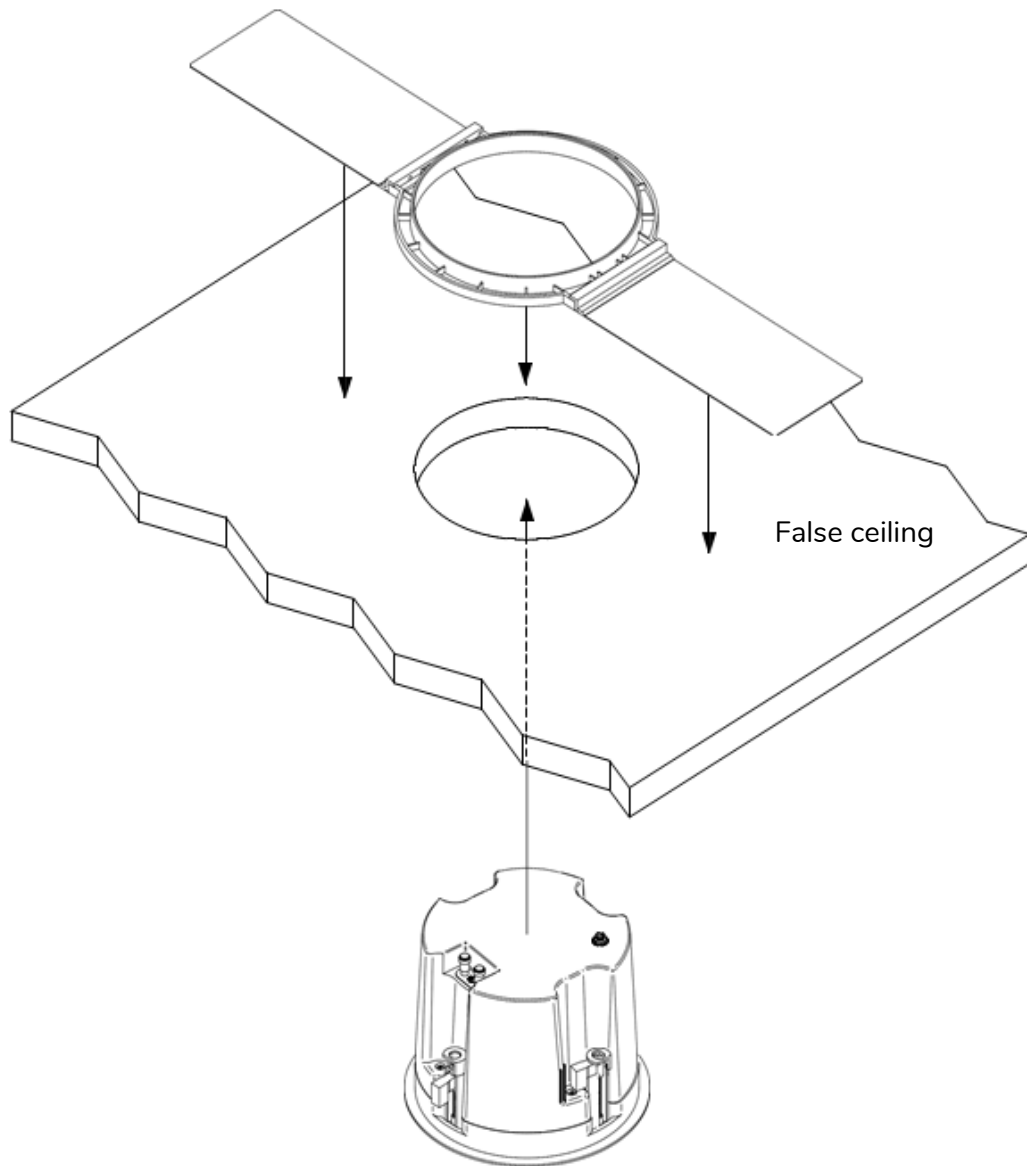
1. Assemble the supplied mounting bridge brackets.



2. Insert the assembled anchor bridge into the false ceiling.



3. Fix the mounted loudspeaker, VIC6X, VIC8X or VICSB8X to the anchor bridge inserted in the false ceiling.



7. PAINTING

The VIC series is ready to be painted, so that its installation is feasible whatever the aesthetic criteria of the enclosure to which it is intended for use. The colour available from the factory is white, RAL 9010.

It is recommended to separate the grille from the loudspeaker, and to paint them separately, taking care that the small holes in the grille are not obstructed. Use suitable air-drying paints.

8. TECHNICAL CHARACTERISTICS

VIC6 & VIC6X

System	
Effective frequency range ¹	VIC6: 61 Hz-20 kHz VIC6X: 85Hz-20kHz
Coverage angle ²	VIC6: 124° conical VIC6X: 166° conical
Power handling	40 W RMS / 160 W Peak
Sensitivity ³	VIC6: 89 dB (1W/1m) VIC6X: 91 dB (1W/1m)
Maximum SPL ⁴	VIC6: 105 dB continuous / 111 dB peak VIC6X: 107 dB continuous / 113 dB peak
Power options	100V: 40W / 20W / 10W / 5W / 8Ω 70V: 40W / 20W / 10W / 5W / 2,5W / 8Ω
Recommended amplifier power	80 W RMS
Transducers	
Ways	2
Low frequency driver	6,5" woofer
High frequency driver	0,5" steerable tweeter
Nominal impedance	8Ω
Physical	
Installation options	Ceiling
Environmental	IPX4 rated
Grille material	Magnetic, paintable metal alloy
External diameter	232 mm / 9.13"
Internal diameter	205 mm / 8.07"
Recommended cut out diameter	206 mm / 8,11"
Required depth	VIC6: 110 mm / 4.33" VIC6X: 170 mm / 6.69"
Finished color	White (RAL 9010)
Ceiling thickness	10mm / 0.39" min 50mm / 1.97" max
Included accessories	VIC6X: Back-can and tile bridge
Dimensions (ØxD)	VIC6: 232x105mm / 8.07"x4.13" VIC6X: 232x170mm / 9.1"x6.7"
Weight	VIC6: 1.8 kg / 3.97 lb VIC6X: 2.3kg / 5 lb

VIC8 & VIC8X

System	
Effective frequency range ¹	VIC8: 59 Hz-20 kHz VIC8X: 75Hz-20kHz
Coverage angle ²	VIC8: 120° conical VIC8X: 163° conical
Power handling	60 W RMS / 240 W Peak
Sensitivity ³	VIC8: 90 dB (1W/1m) VIC8X: 93 dB (1W/1m)
Maximum SPL ⁴	VIC8: 108 dB continuous / 114 dB peak VIC8X: 111 dB continuous / 117 dB peak
Power options	100: 60W / 30W / 15W / 7,5W / 8Ω 70: 60W / 30W / 15W / 7,5W / 3,75W / 8Ω
Recommended amplifier power	120 W RMS
Transducers	
Ways	2
Low frequency driver	8" woofer
High frequency driver	0,5" steerable tweeter
Nominal impedance	8Ω
Physical	
Installation options	Ceiling
Environmental	IPX4 rated
Grille material	Magnetic, paintable metal alloy
External diameter	282 mm / 11.10"
Internal diameter	245 mm / 9.64"
Recommended cut out diameter	246 mm/ 9.69"
Required depth	VIC8: 120 mm / 4.72" VIC8X: 200 mm / 7.9"
Finished color	White (RAL 9010)
Ceiling thickness	10mm / 0.39" min 50mm / 1.97" max
Included accessories	VIC8X: Back-can and tile bridge
Dimensions (ØxD)	VIC8: 282x115mm / 11.1"x4.5" VIC8X: 282x200mm /11.1"x7.9"
Weight	VIC8: 2.3 kg / 5.07 lb VIC8X: 3.1kg / 6.8 lb.

VICSB8 & VICSB8X

System	
Effective frequency range ¹	VICSB8: 35Hz – 2kHz VICSB8X: 70Hz-390Hz
Power handling	80 W RMS / 320 W Peak
Sensitivity ³	VICSB8: 87 dB (1W/1m) VICSB8X: 88 dB (1W/1m)
Maximum SPL ⁴	VICSB8: 95 dB continuous / 101 dB peak VICSB8X: 107 dB continuous / 113 dB peak
Power options	100V: 60W / 30W / 15W / 7.5W / 8Ω 70V: 60W / 30W / 15W / 7.5W / 3.75W / 8Ω
Recommended amplifier power	160 W RMS
Transducers	
Ways	1-way subwoofer
Driver	LF 8" woofer
Nominal impedance	8Ω
Physical	
Installation options	Ceiling
Environmental	IPX4 rated
Grille material	Magnetic, paintable metal alloy
External diameter	282 mm / 11.10"
Internal diameter	245 mm / 9.64"
Recommended cut out diameter	246 mm/ 9.69"
Required depth	VICSB8: 135 mm / 5.31" VICSB8X: 200 mm / 7.87"
Finished color	White (RAL 9010)
Ceiling thickness	10mm / 0.39" min 50mm / 1.97" max
Included accessories	VICSB8X: Back-can and tile bridge
Dimensions (ØxD)	VICSB8: 282x135mm / 11.1"x5.3" VICSB8X: 282x200mm /11.1"x7.9"
Weight	VICSB8: 3.2 kg / 7.05 lb VICSB8X: 3.9 kg / 8,59 lb

¹10dB below the sound pressure level at specified sensitivity

²6dB below the sound pressure level than that at the direction of maximum level, Average from 1 kHz to 4 kHz.

³Measured on-axis, far field and referenced to 1 meter by inverse square law. Average from 100 Hz to 10 kHz.

⁴Calculated from sensitivity and power handling specifications, exclusive of power compression

All product characteristics are subject to variation due to production tolerances. **NEEC AUDIO BARCELONA S.L.** reserves the right to make changes or improvements in the design or manufacturing that may affect these product specifications.

For technical queries contact your supplier, distributor or complete the contact form on our website, in [Support / Technical requests](#).

Motors, 166-168 08038 Barcelona - Spain - (+34) 932238403 | information@ecler.com | www.ecler.com