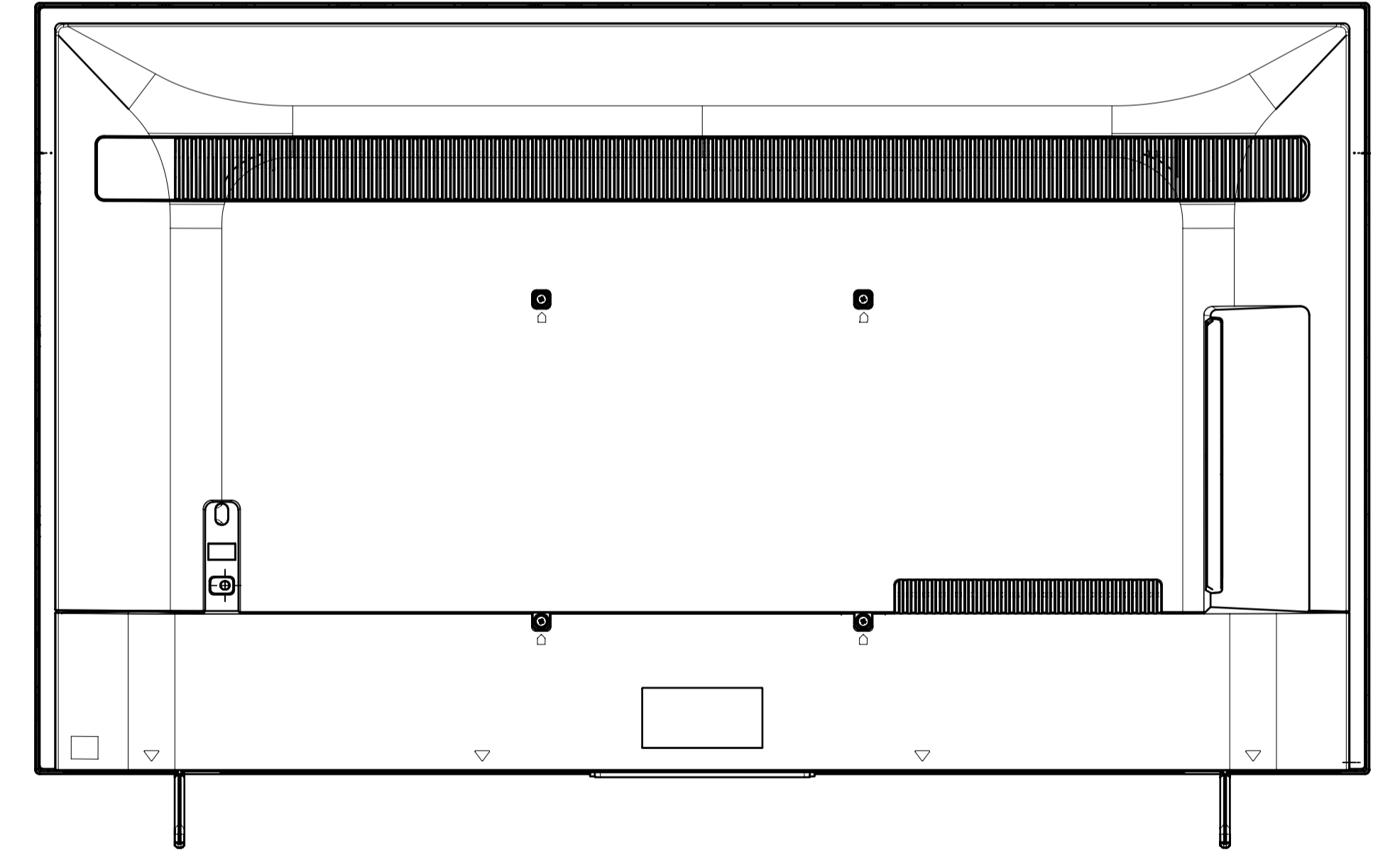
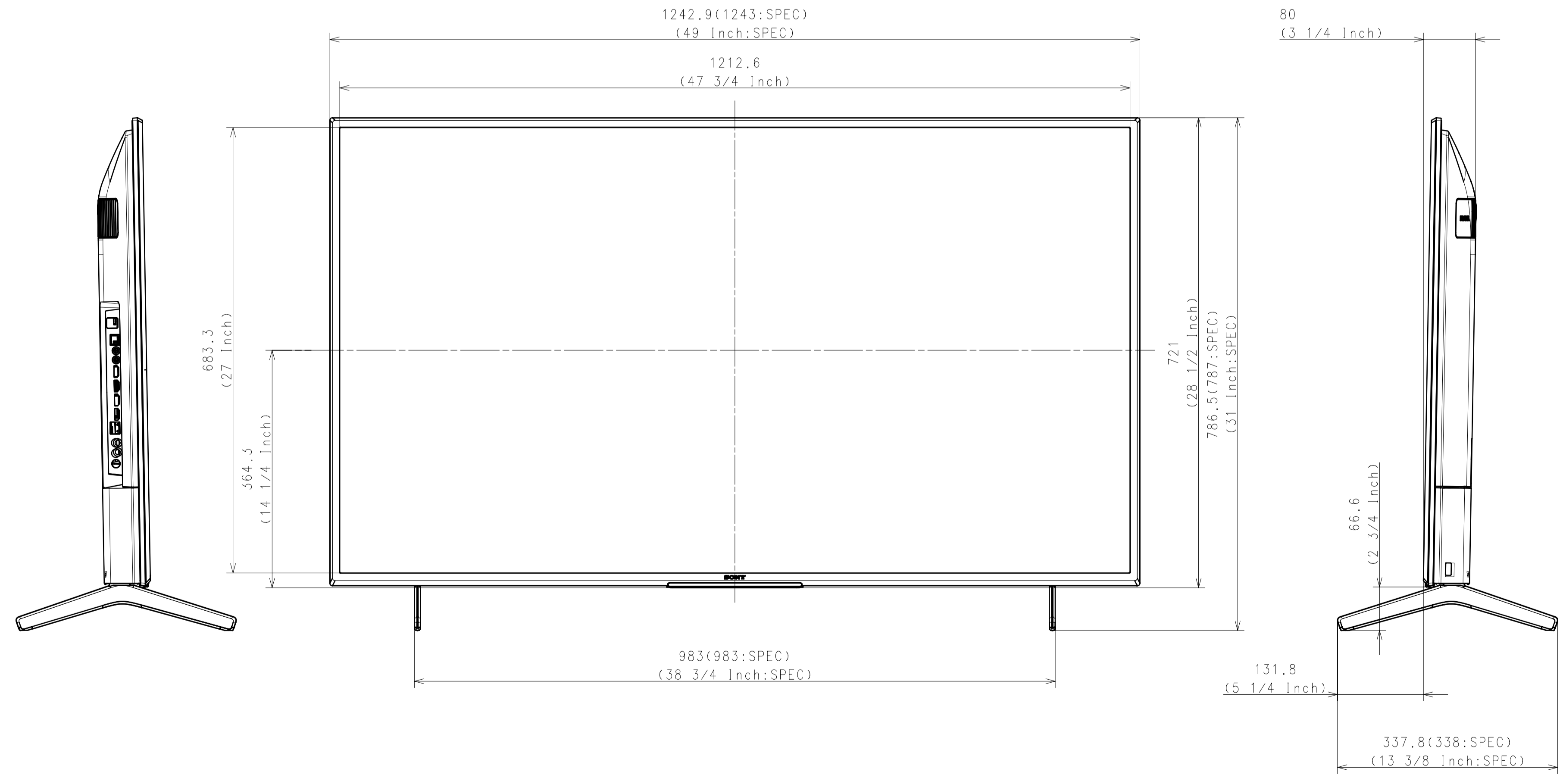
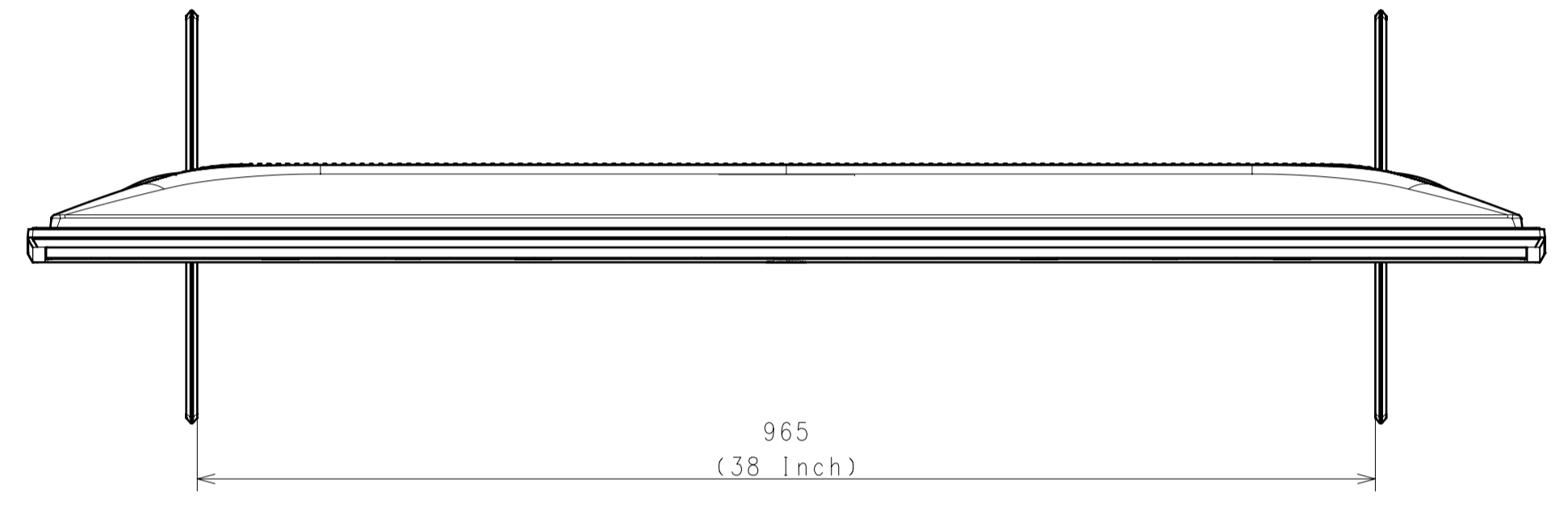


WITH STAND
STANDARD POSITION

| Area | JAPAN | NORTH AMERICA | EUROPE | GENERAL AREA |
|------------|--|-----------------------|---|--------------------------------|
| Model Name | FW-55EZ20L | FW-55EZ20L | FW-55EZ20L | FW-55EZ20L |
| SV No. | SV-41760 | SV-41757 | SV-41759 | SV-41758 |
| DIMENSION | TV only (W x H x D) | 124.3 x 72.1 x 7.1 cm | 1243 x 721 x 71 mm / 49 x 28 1/2 x 2 7/8 inch | Approx. 124.3 x 72.1 x 7.1 cm |
| | TV only with camera (W x H x D) | - | - | - |
| | TV with Stand (Standard position) (W x H x D) | - | 1243 x 787 x 338 mm / 49 x 31 x 13 3/8 inch | Approx. 124.3 x 78.7 x 33.8 cm |
| | TV with Stand (Narrow position) (W x H x D) | - | - | - |
| | TV with Stand (Soundbar position) (W x H x D) | - | - | - |
| | TV with Stand (Front position style) (W x H x D) | - | - | - |
| | TV with Stand (Back position style) (W x H x D) | - | - | - |
| | TV with Floor Stand (W x H x D) | - | - | - |
| | Stand Width (Standard position) | - | 983 mm / 38 3/4 inch | Approx. 98.3 cm |
| | Stand Width (Narrow position) | - | - | - |
| | Stand Width (Soundbar position) | - | - | - |
| | Stand Width (Front position style) | - | - | - |
| | Stand Width (Back position style) | - | - | - |
| | Floor Stand Width | - | - | - |
| WEIGHT | VESA Hole Pitch | 30.0 x 30.0 cm | 300 x 300 mm / 11 7/8 x 11 7/8 inch | 30.0 x 30.0 cm |
| | TV Only | 15.3 kg | 15.3 kg / 33.8 lb | Approx. 15.3 kg |
| | TV with Stand (Standard position) | - | 16.2 kg / 35.7 lb | Approx. 16.2 kg |
| | TV with Stand (Narrow position) | - | - | - |
| | TV with Stand (Soundbar position) | - | - | - |
| | TV with Stand (Front/Back position style) | - | - | - |
| | TV with Floor Stand | - | - | - |
| | Floor Stand weight (Supply) | - | - | - |
| Remarks | Stand unbundle | Optional stand | Optional stand | |



Purchase recycled resins and wire rods only from the business partners that Sony approves as Green Partners.
再生樹脂・銅線材はグリーンパートナー 協賛品から調達すること。

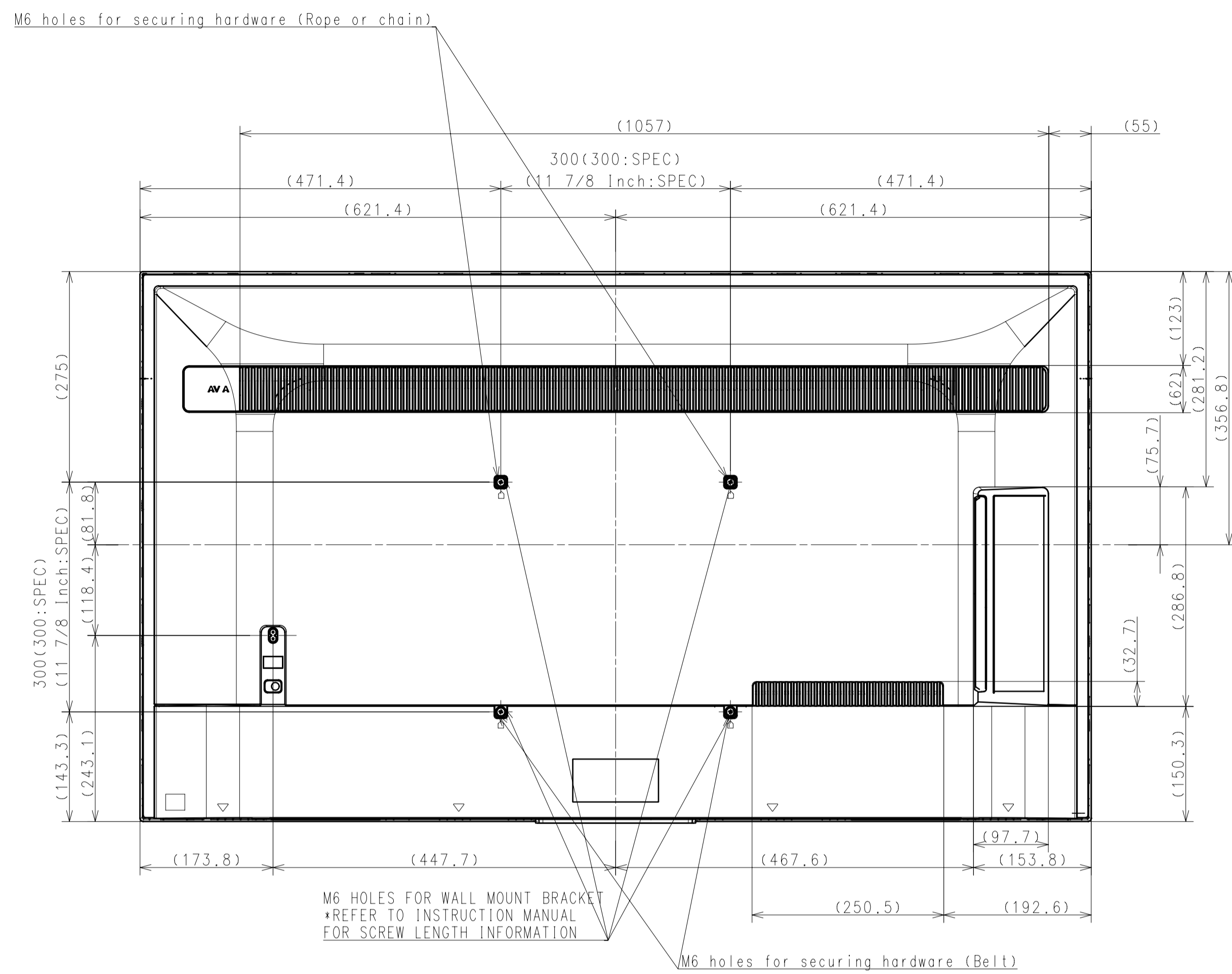
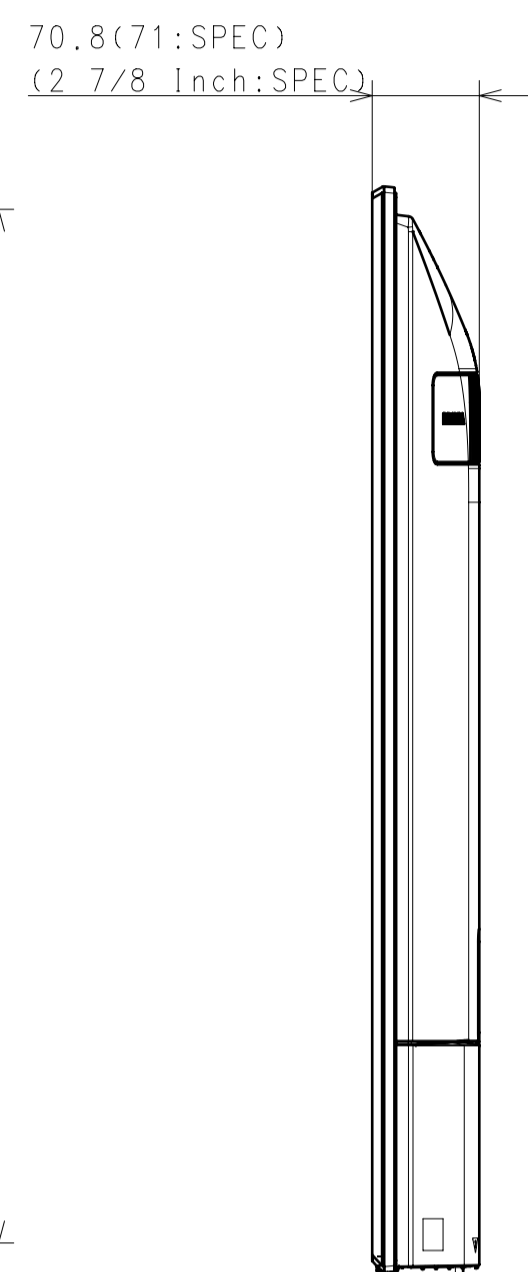
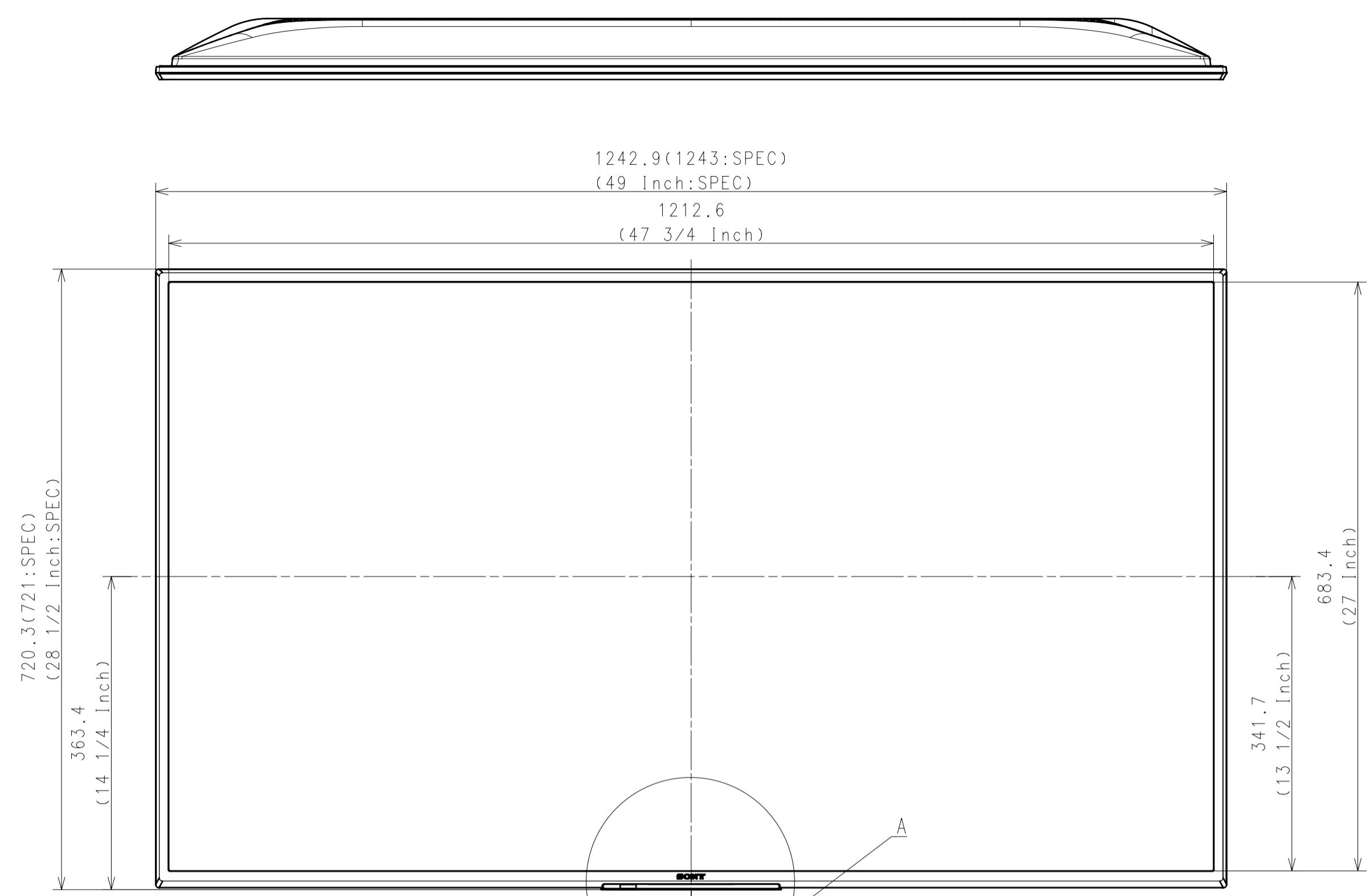
| | |
|---------------|----------------------|
| DATE OF ISSUE | 2023.07.07 |
| DOCUMENT TYPE | ASSEMBLY DRAWING |
| TELEGRAPHIC | JIS B 0024(ISO 8015) |

| | | | |
|----------|-----|------|-------------|
| REVISION | NO. | DATE | DESCRIPTION |
| | | | |

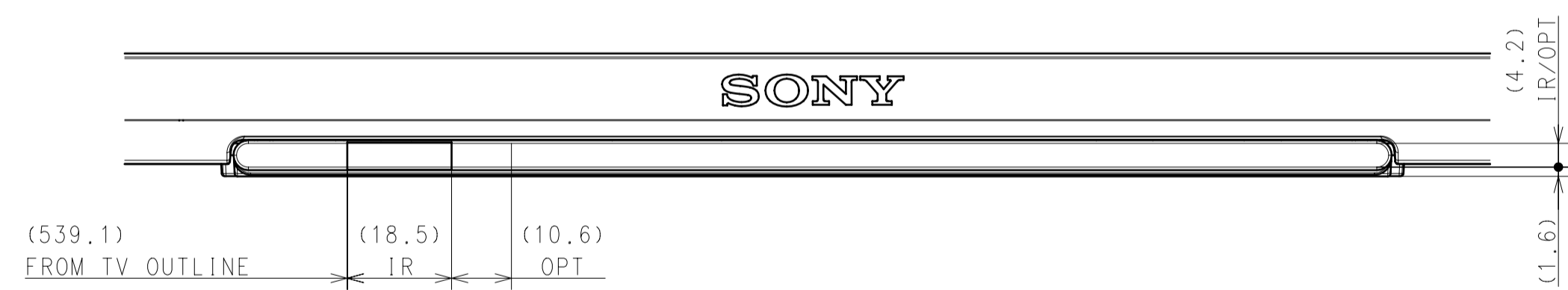
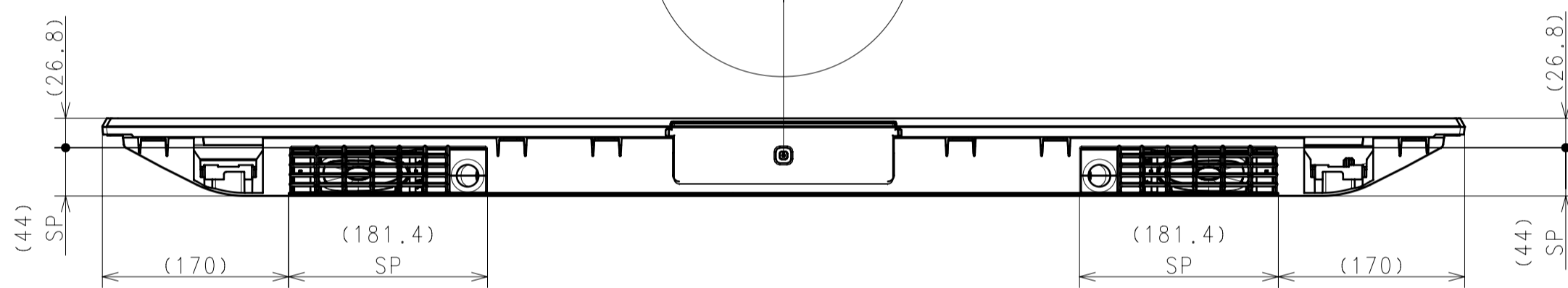
| | | | | | |
|------------------------|---------------------------|-------------|------------|-------------|------------|
| RESPONSIBLE DEPARTMENT | PLANE & MECHANICAL DESIGN | SIZE | A1 | UNIT | mm |
| PLANNED BY | 2023.07.07 | DESIGNED BY | 2023.07.07 | APPROVED BY | 2023.07.07 |
| SCALE | 1:1.5 | REVISION | | DATE | |

| | |
|--------------------|--------------------------|
| DESCRIPTION | 55 (EZ20L) EXTERIOR VIEW |
| TENTATIVE MODEL | 55 (EZ20L) |
| TENTATIVE PART NO. | |
| PART NO. | |
| SHEET/PAGES | 1 / 4 |

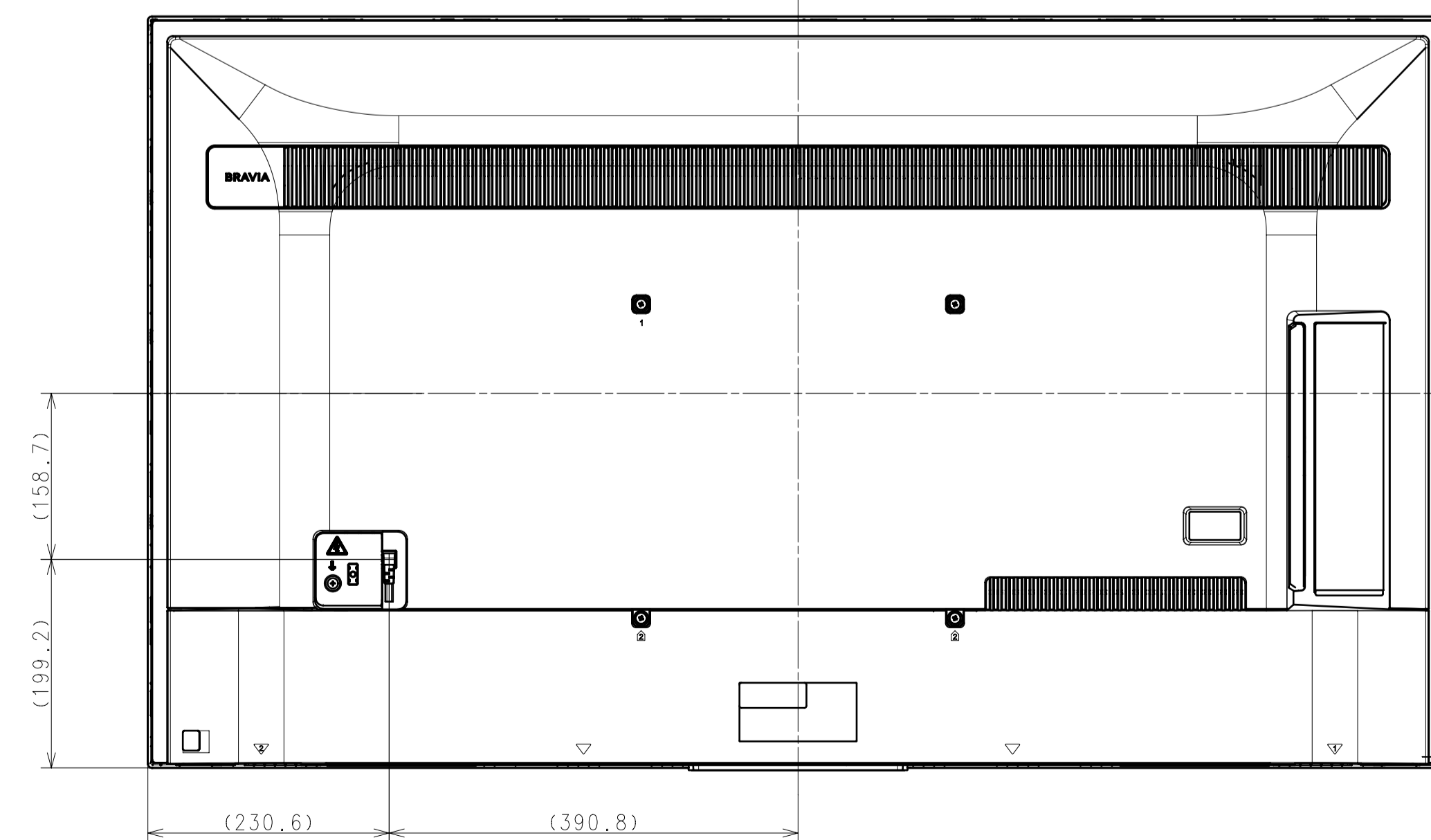
WITHOUT STAND



For NORTH AMERICA, GENERAL AREA, EUROPE



A
1:1



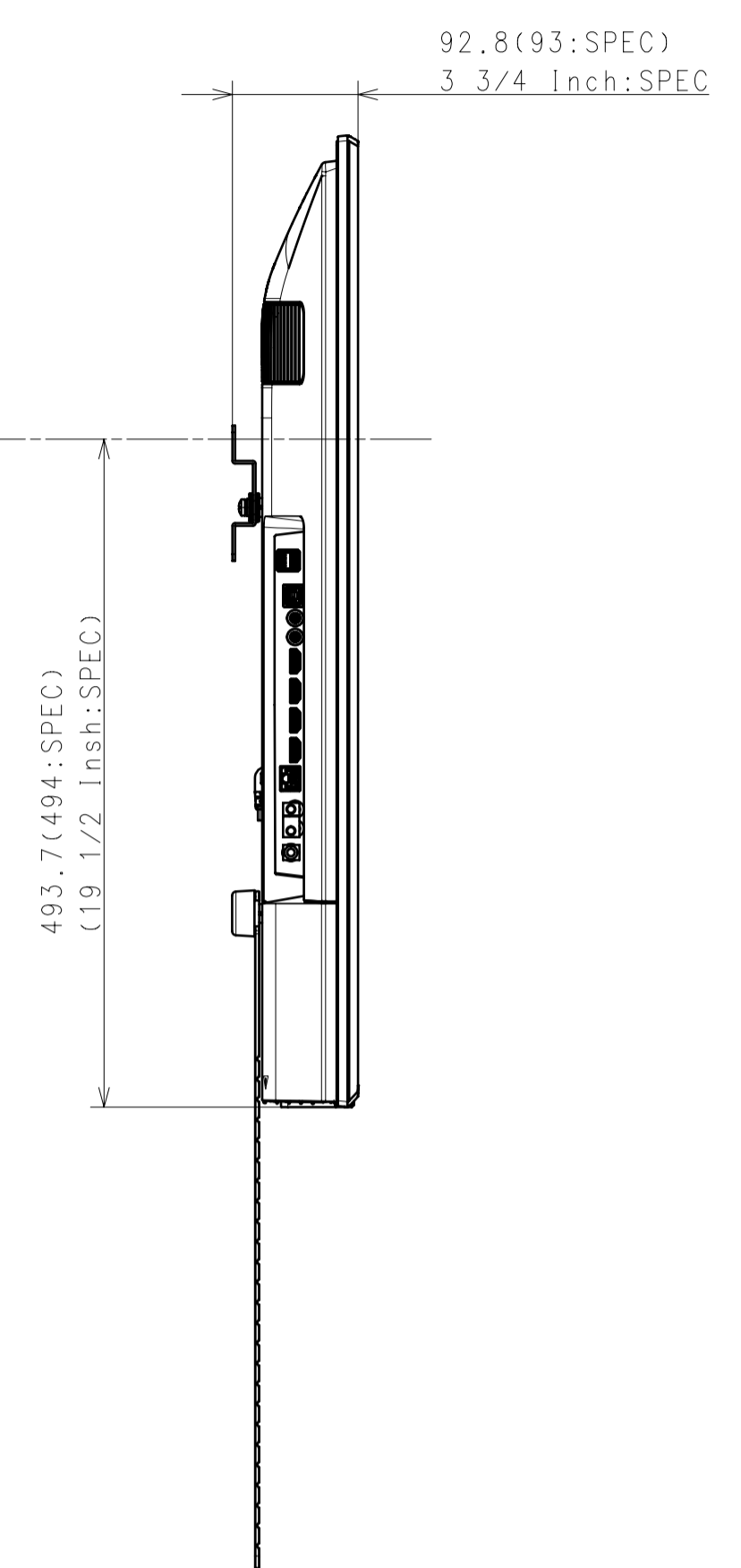
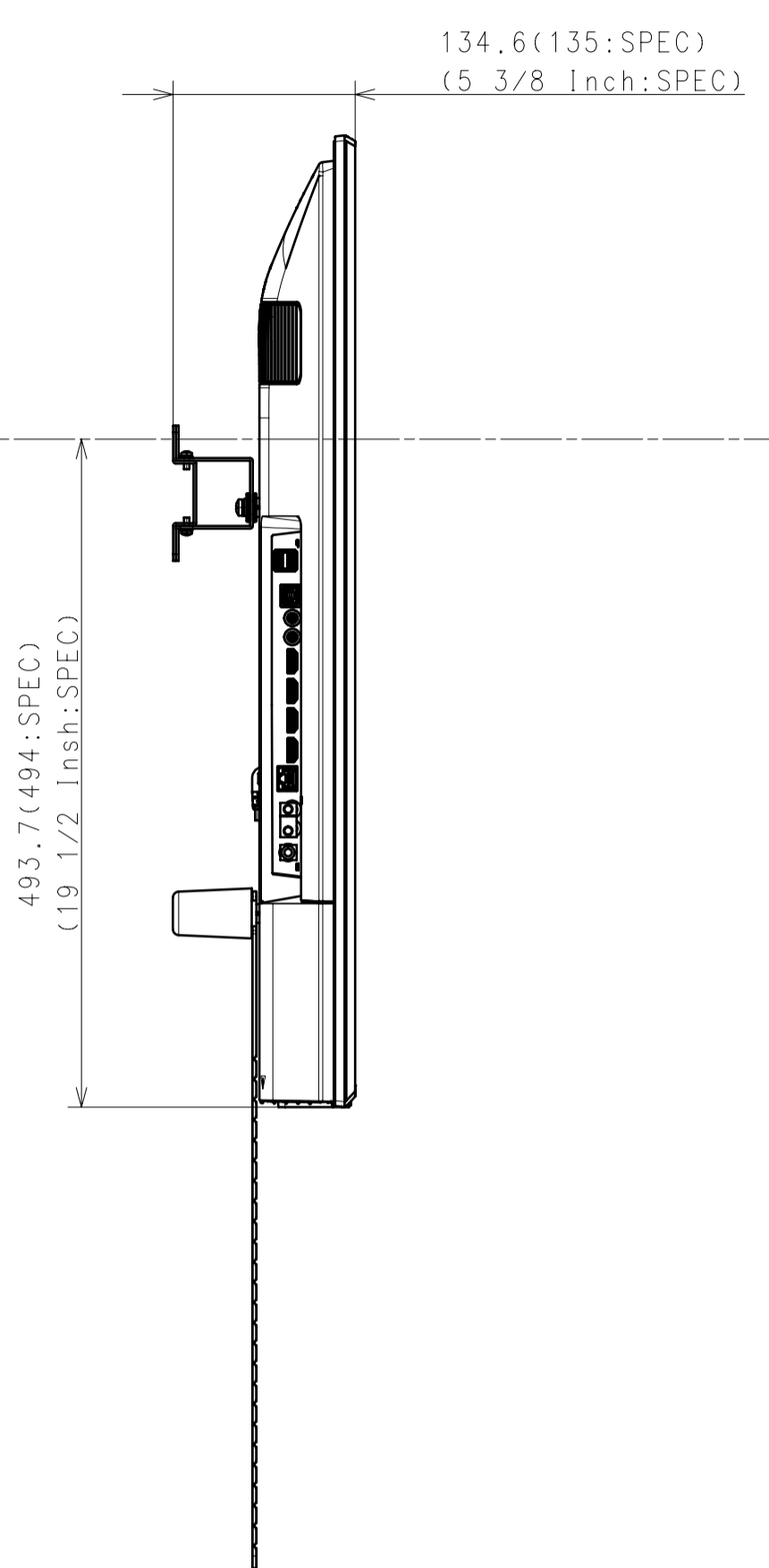
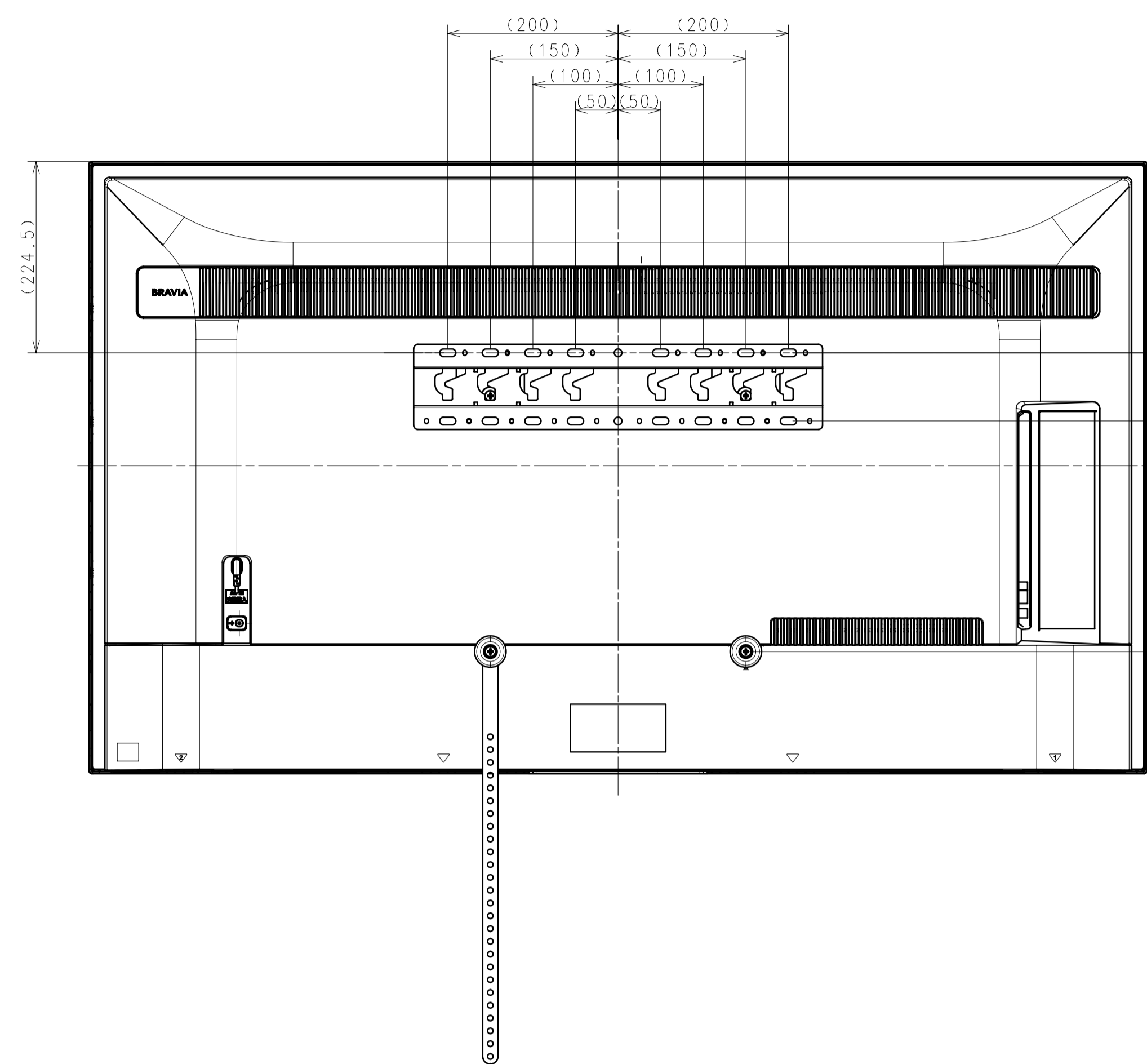
For JAPAN

| | |
|---------------------------------------|--------------------|
| DESCRIPTION: 55 (E220L) EXTERIOR VIEW | SCALE: 1:5 |
| DESCRIPTION: 55 (E220L) EXTERIOR VIEW | SHEET/PAGES: 2 / 4 |
| EQUAL OWNER: Sony Corporation | PART NO.: |
| TENTATIVE PART NO.: | PART NO.: |

SU-WL450

STANDARD

SLIM

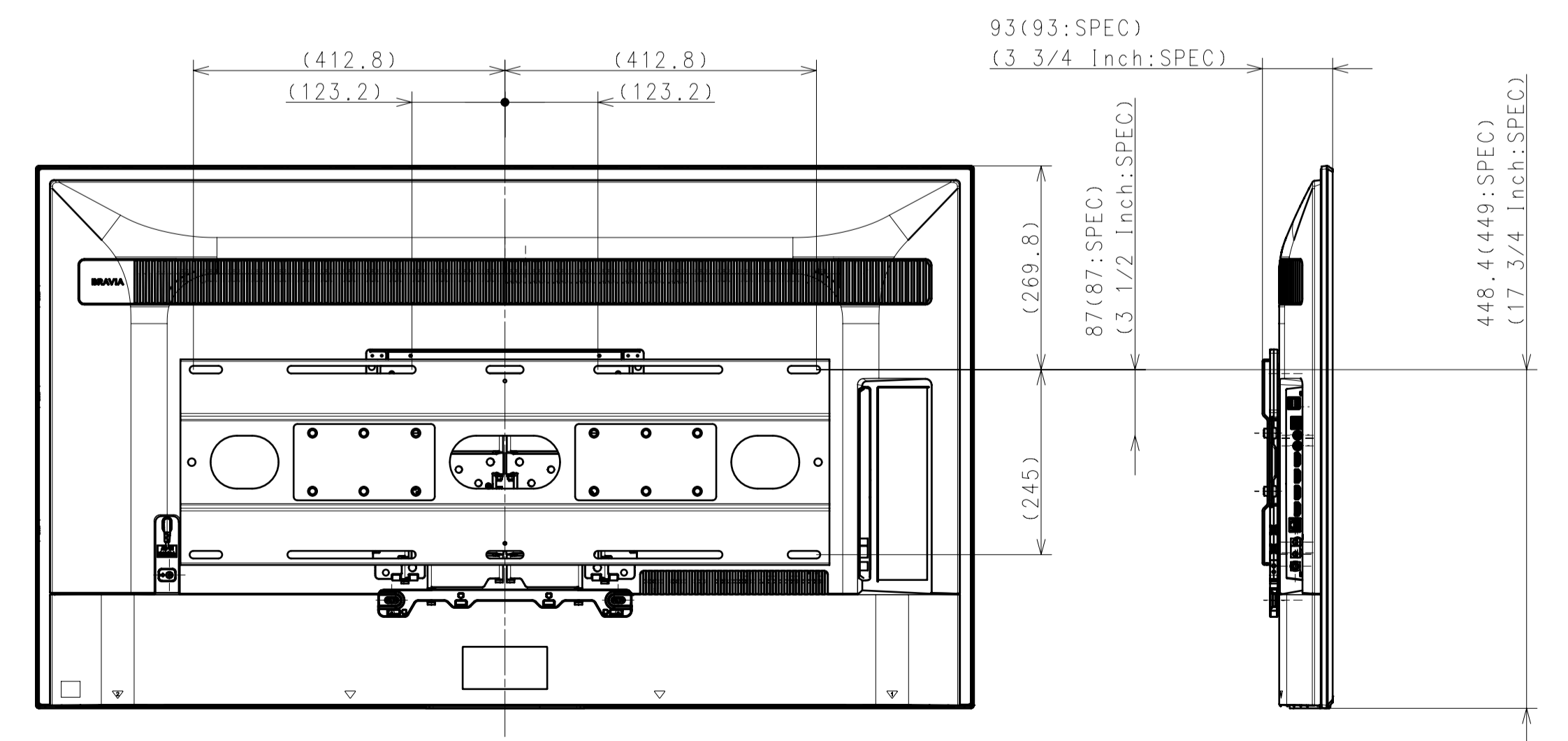
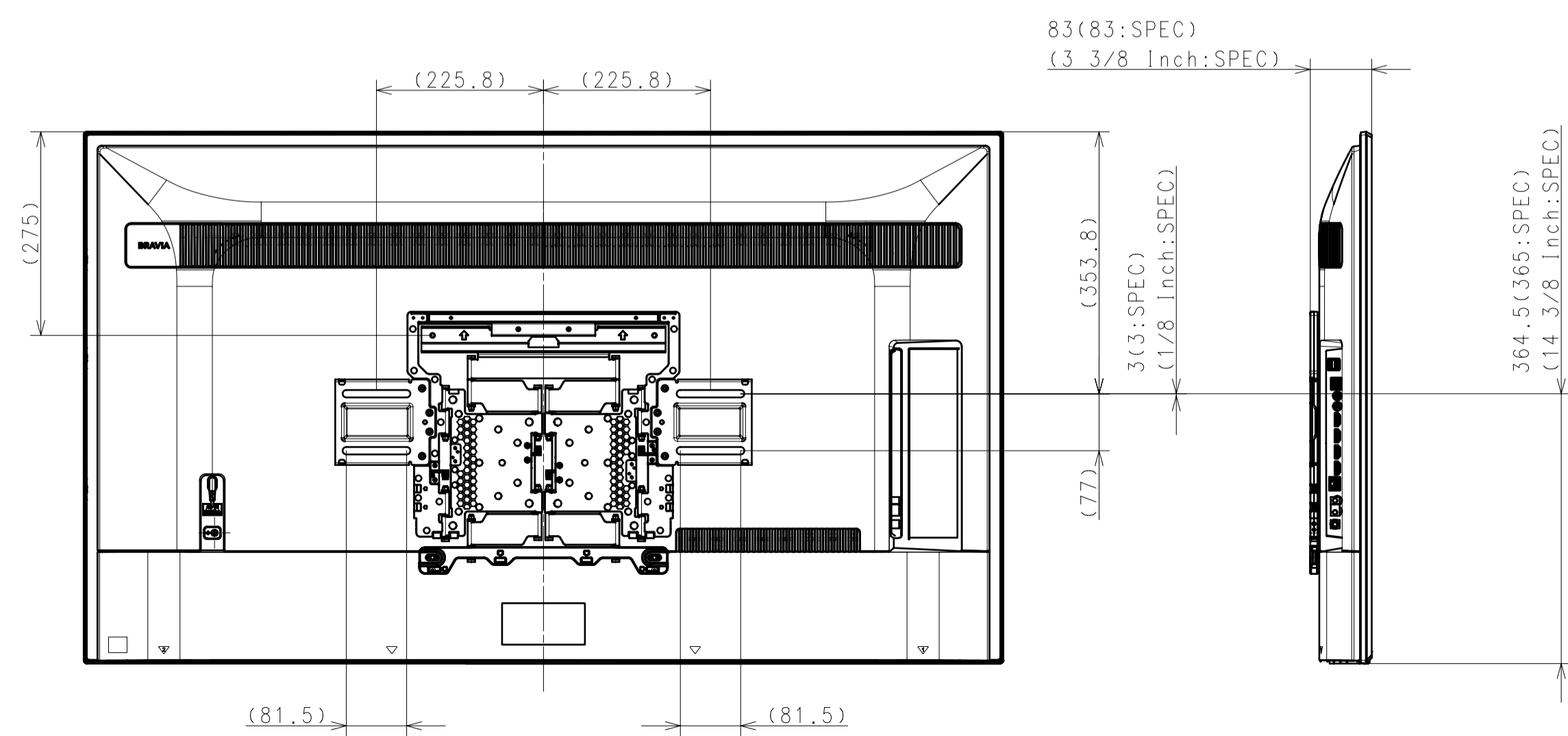
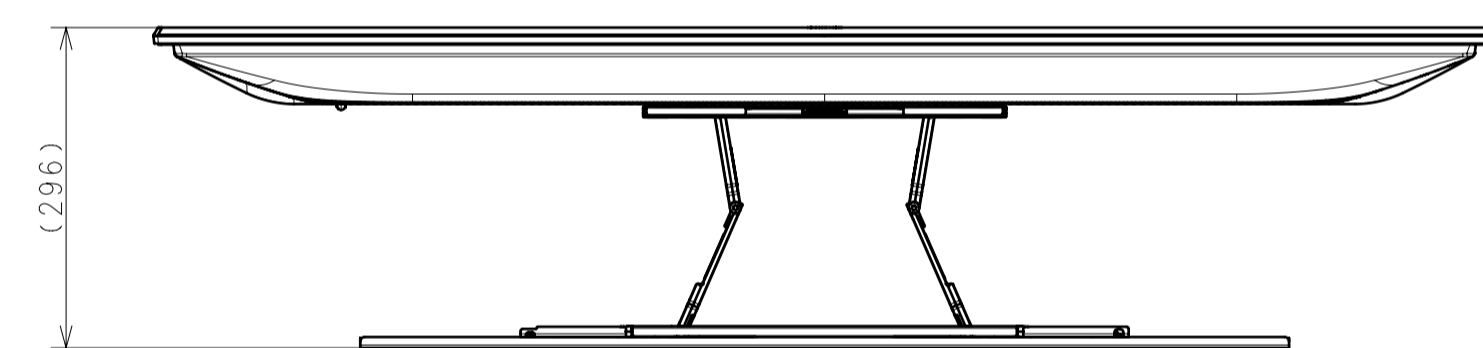
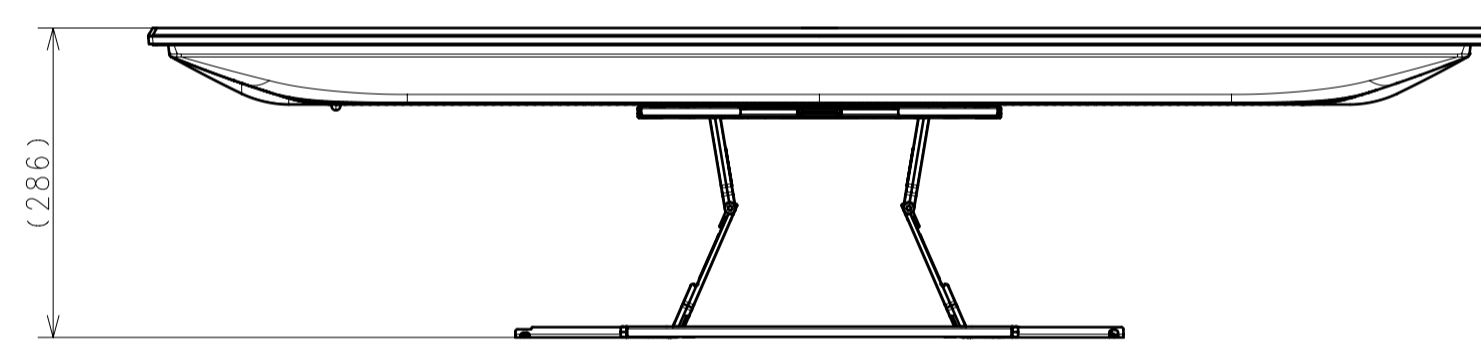
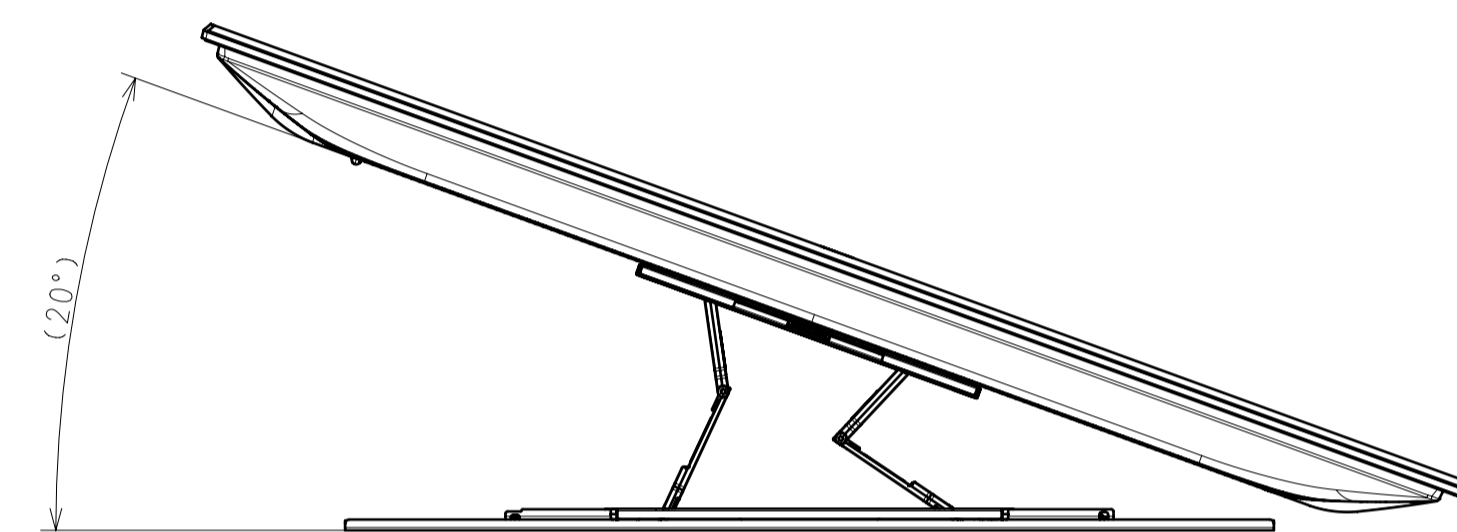
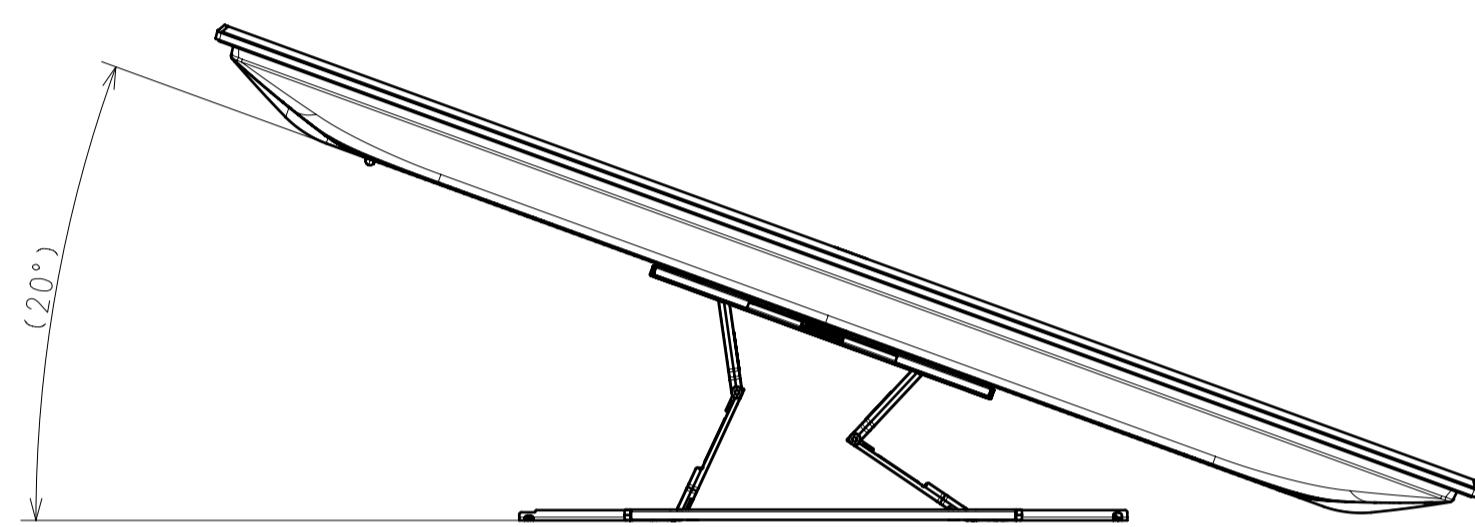
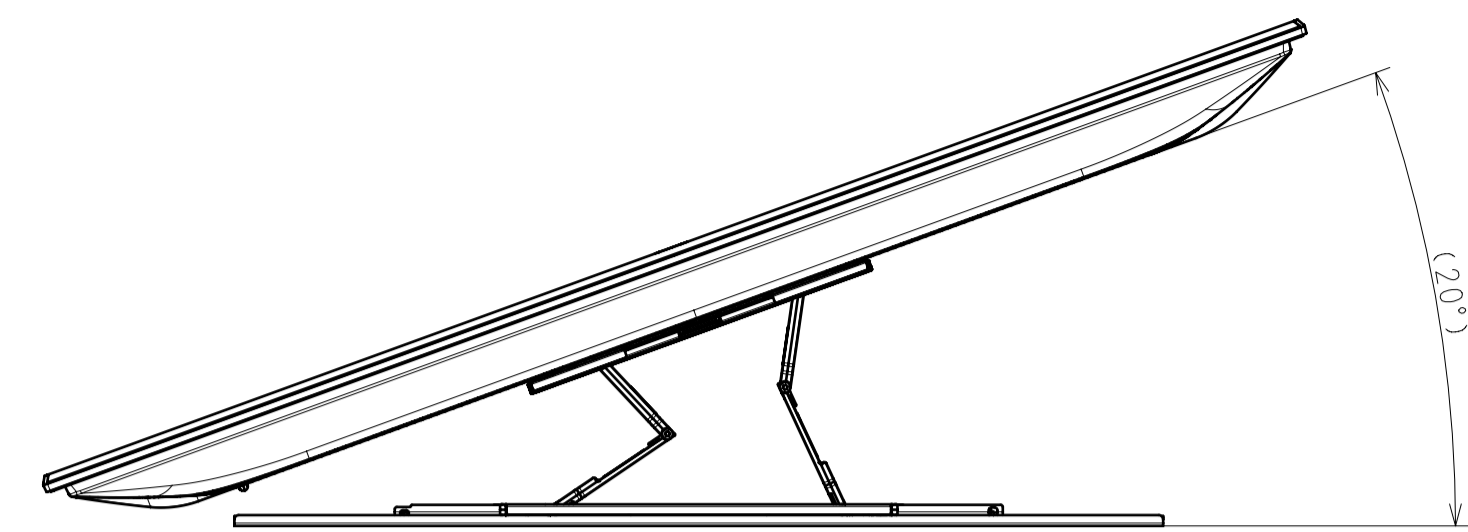
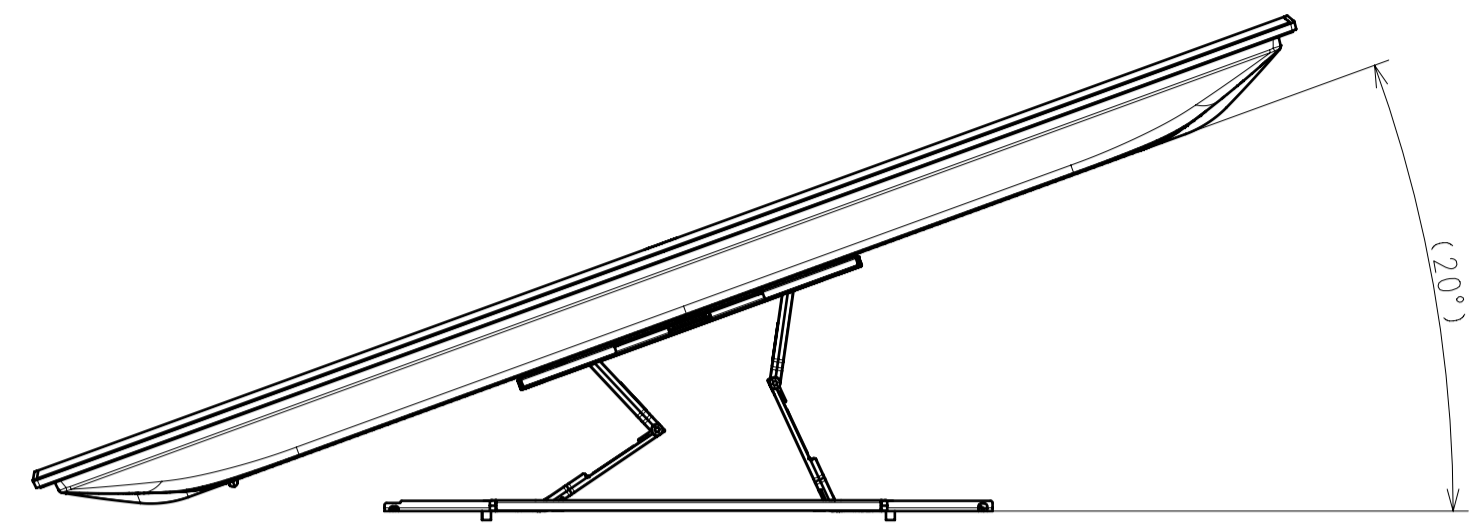


SONY STANDARD DRAWING

| | | |
|--------------------------|------------------|-------------|
| DESCRIPTION 1 | LEGAL OWNER | SCALE |
| 55 (EZ20L) EXTERIOR VIEW | Sony Corporation | 1:5 |
| DESCRIPTION 2 | PART NO. | SHEET/PAGES |
| 55 (EZ20L) EXTERIOR VIEW | | 3 / 4 |

SU-WL 850

SU-WL 855 WITH LATERAL SHAFT BRACKET



| | | | | | |
|---------------|--------------------------|-------------|------------------|-------------|-------|
| DESCRIPTION 1 | 55 (EZ20L) EXTERIOR VIEW | LEGAL OWNER | Sony Corporation | SCALE | 1:7 |
| DESCRIPTION 2 | 55 (EZ20L) EXTERIOR VIEW | PART NO. | | SHEET/PAGES | 4 / 4 |