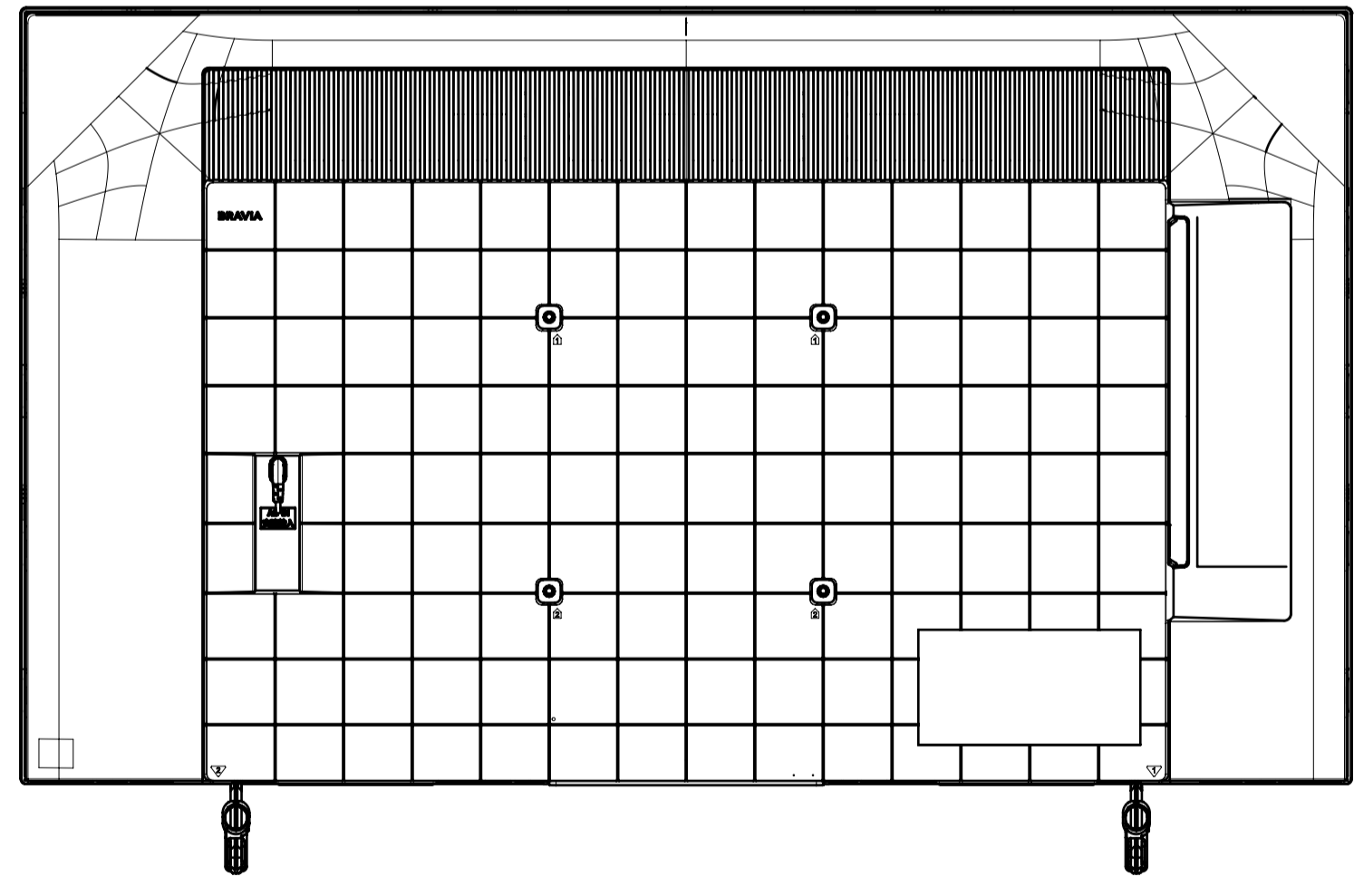
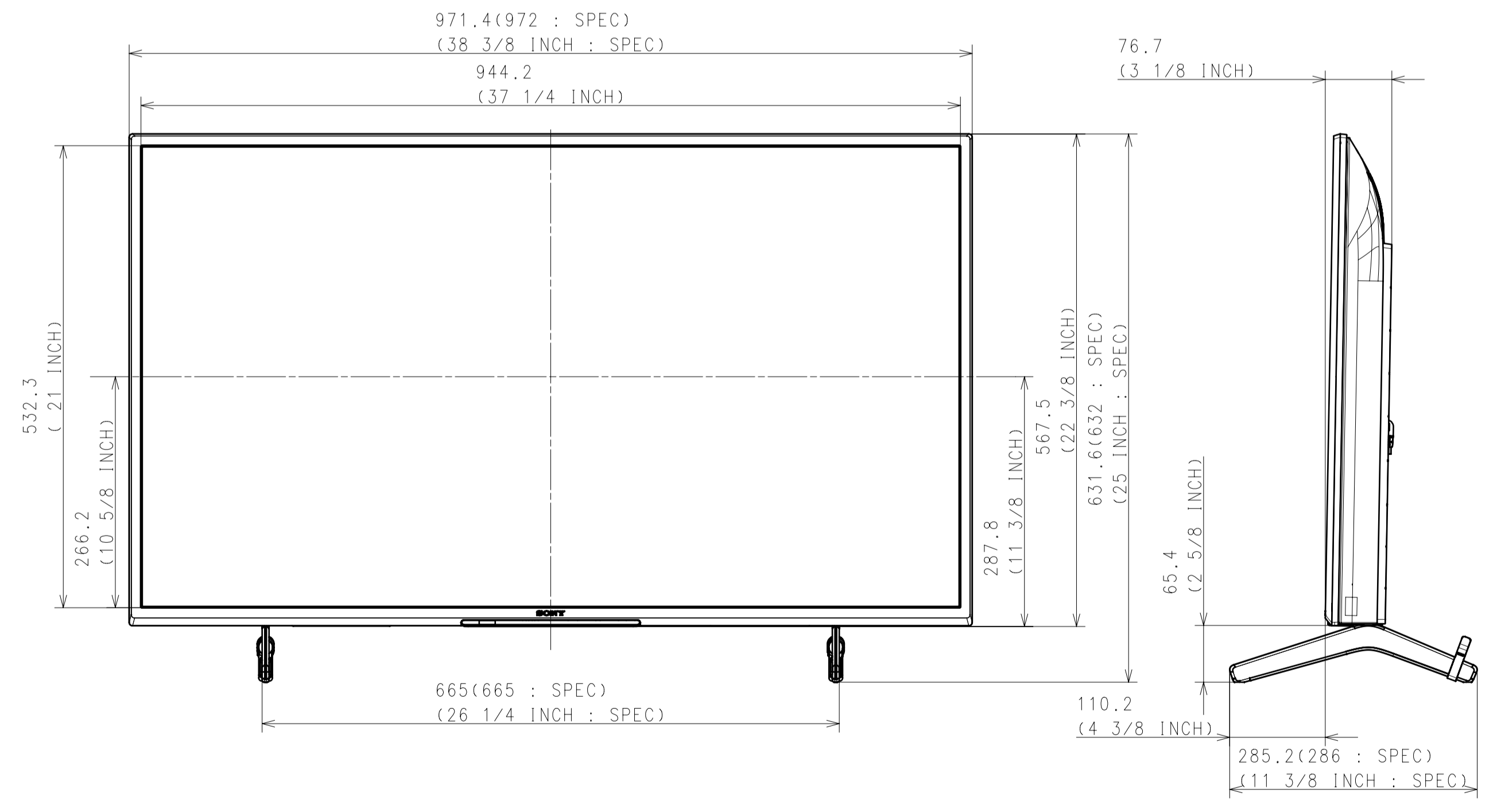
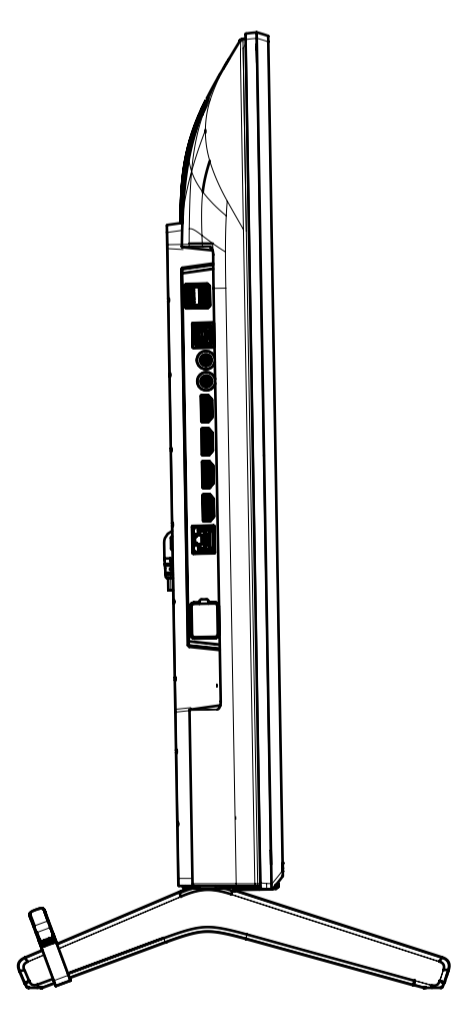
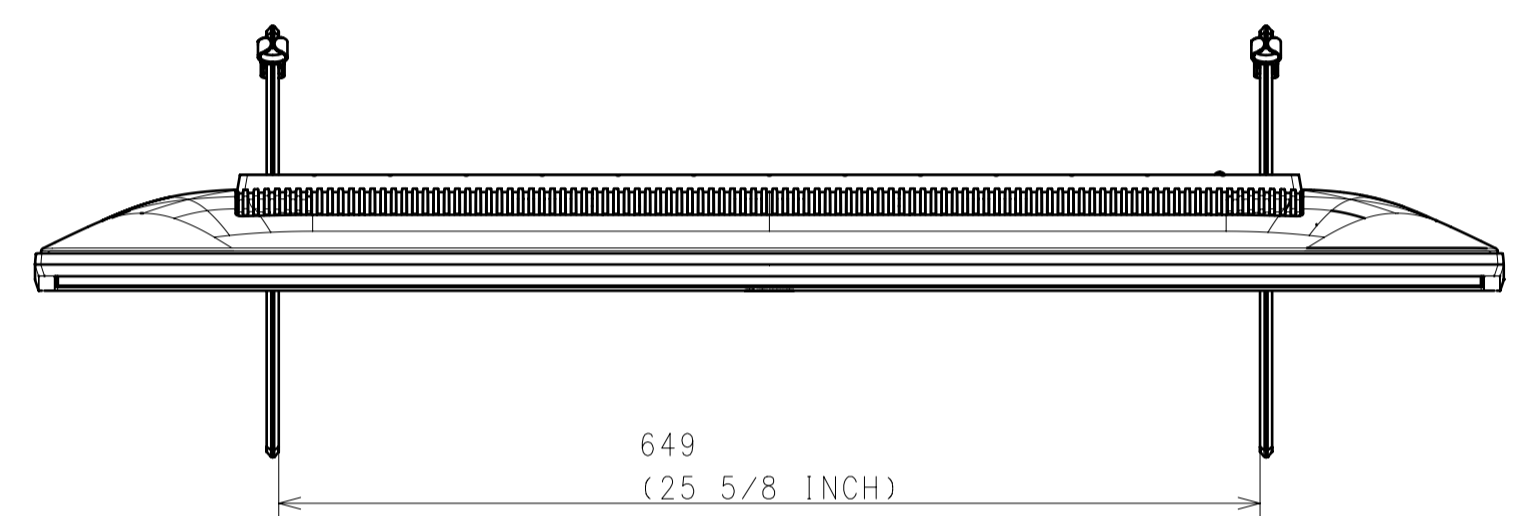


Area		JAPAN	NORTH AMERICA	EUROPE	GENERAL AREA
Model Name		FW-43EZ20L	FW-43EZ20L	FW-43EZ20L	FW-43EZ20L
SV No.		SV-41768	SV-41765	SV-41767	SV-41766
DIMENSION	TV only (W x H x D)	97.2 x 56.7 x 7.0 cm	972 x 567 x 70 mm / 38 3/8 x 22 3/8 x 2 7/8 inch	Approx. 97.2 x 56.7 x 7.0 cm	Approx. 97.2 x 56.7 x 70 mm
	TV only with camera (W x H x D)	-	-	-	-
	TV with Stand (Standard position) (W x H x D)	-	972 x 632 x 286 mm / 38 3/8 x 25 x 11 3/8 inch	Approx. 97.2 x 63.2 x 28.6 cm	Approx. 97.2 x 63.2 x 286 mm
	TV with Stand (Narrow position) (W x H x D)	-	-	-	-
	TV with Stand (Soundbar position) (W x H x D)	-	-	-	-
	TV with Stand (Front position style) (W x H x D)	-	-	-	-
	TV with Stand (Back position style) (W x H x D)	-	-	-	-
	TV with Floor Stand (W x H x D)	-	-	-	-
	Stand Width (Standard position)	-	665 mm / 26 1/4 inch	Approx. 66.5 cm	Approx. 665 mm
	Stand Width (Narrow position)	-	-	-	-
	Stand Width (Soundbar position)	-	-	-	-
	Stand Width (Front position style)	-	-	-	-
	Stand Width (Back position style)	-	-	-	-
	Floor Stand Width	-	-	-	-
WEIGHT	VESA Hole Pitch	20.0 x 20.0 cm	200 x 200 mm / 7 7/8 x 7 7/8 inch	20.0 x 20.0 cm	200 x 200 mm
	TV Only	9.3 kg	9.3 kg / 20.5 lb	Approx. 9.3 kg	Approx. 9.3 kg
	TV with Stand (Standard position)	-	9.8 kg / 21.6 lb	Approx. 9.8 kg	Approx. 9.8 kg
	TV with Stand (Narrow position)	-	-	-	-
	TV with Stand (Soundbar position)	-	-	-	-
	TV with Stand (Front/Back position style)	-	-	-	-
	TV with Floor Stand	-	-	-	-
Floor Stand weight (Supply)	-	-	-	-	
W-M't Br. Weight (Supply)	-	-	-	-	
Remarks		Stand unbundle	Optional stand	Optional stand	

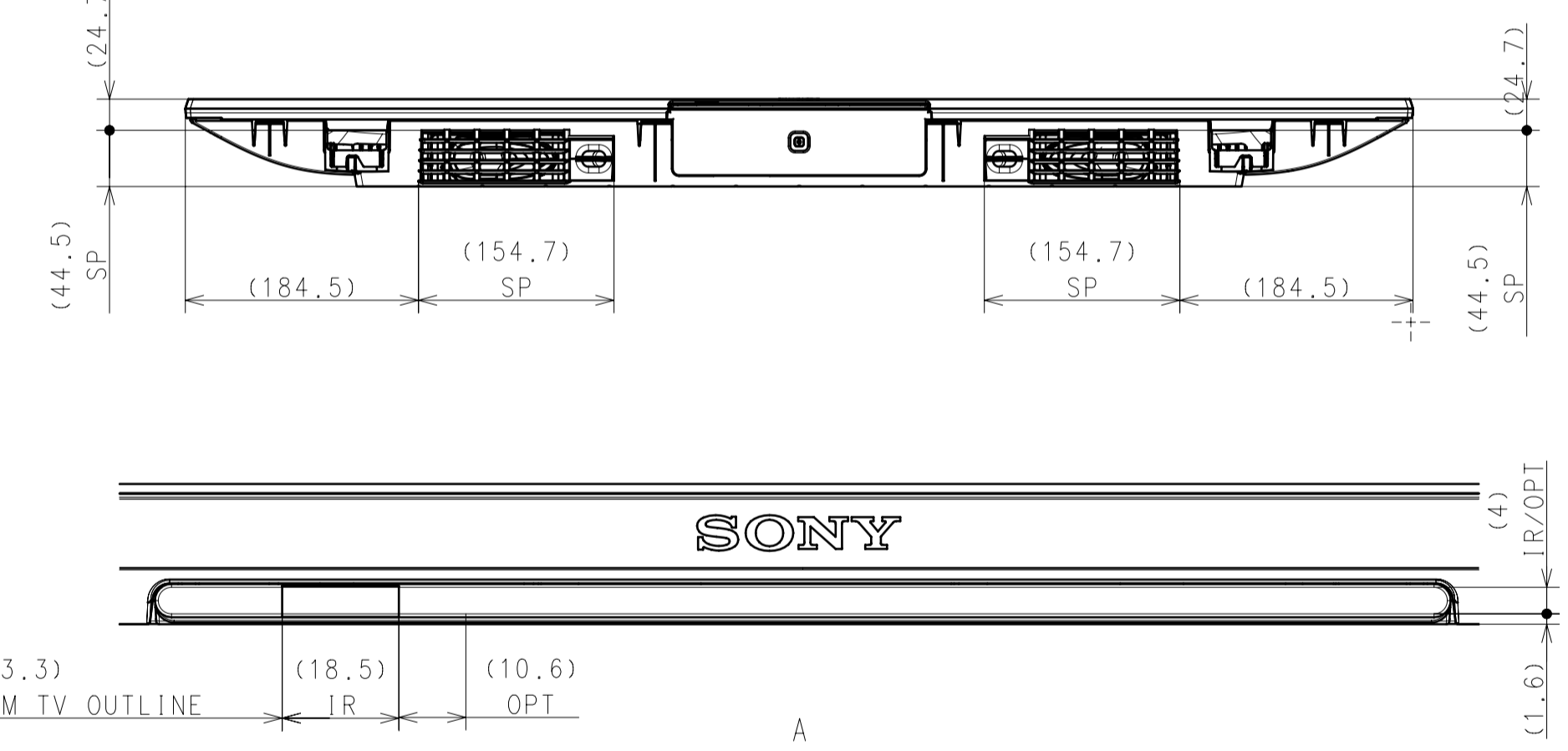
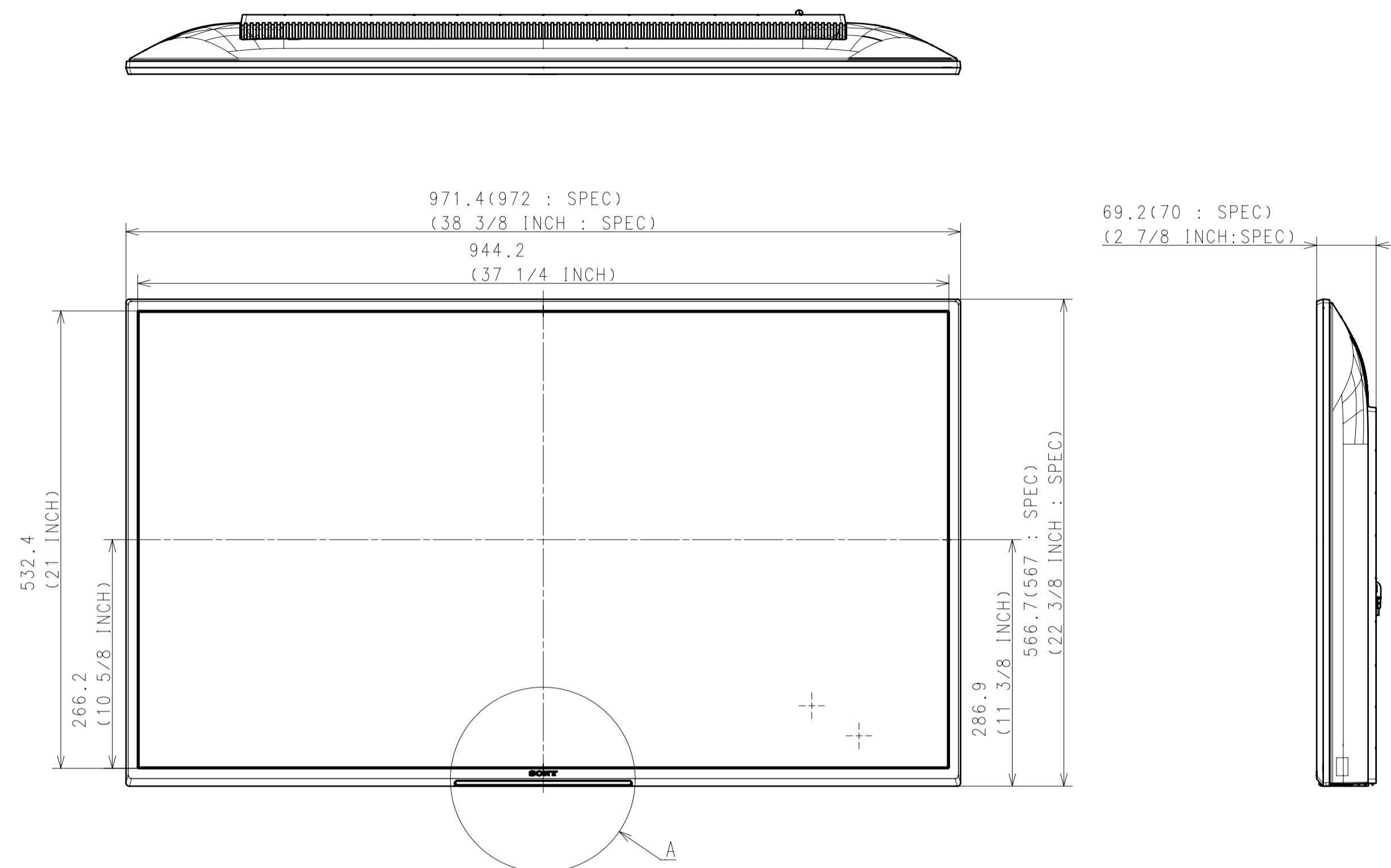
WITH STAND



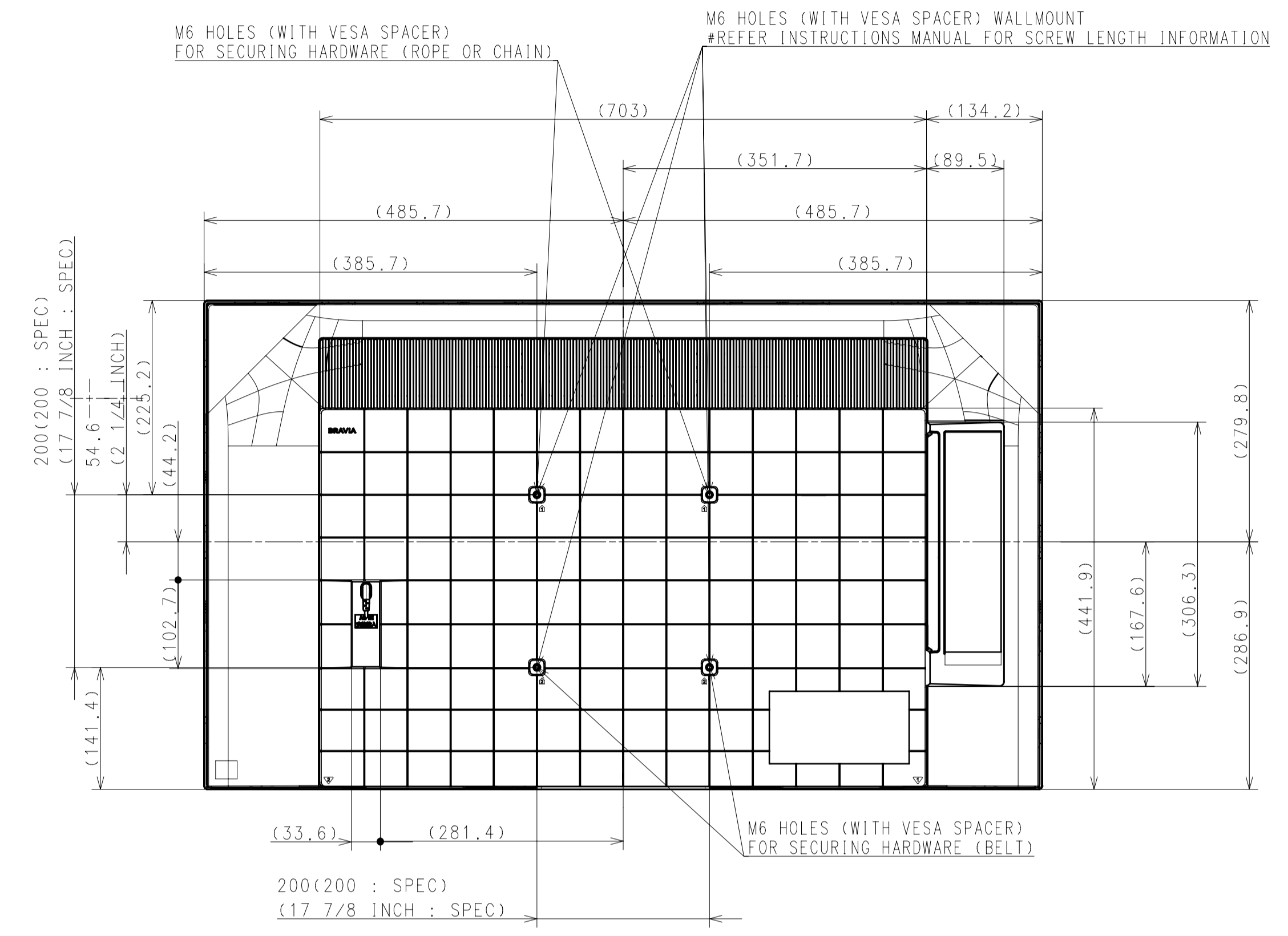
Purchase recycled resins and wire rods only from the business partners that Sony approves as Green Partners.  
再生樹脂・銅線はグリーンパートナー認定受注先から調達すること。

HISTORY X COUNT SUFFIX AREA NO. DATE LEGAL OWNER		RELEASE NO. DATE REVISION SIGN		GENERAL TOLERANCE DATE OF ISSUE 2023.07.07 DOCUMENT TYPE ASSEMBLY TOLERANCING DRAWING (JIS & JWEI/ISO BASIS)	
RESPONSIBLE DEPARTMENT PANEL & MECHANICAL DESIGN		ORIGINAL MODEL 43 (EZ20L) EXTERIOR VIEW		DESCRIPTION 43 (EZ20L) EXTERIOR VIEW	
PLANNED BY 2023.07.07 MICHIMASU		CHECKED BY 2023.07.07 MICHIMASU		SCALE 1:5 SIZE A1 UNIT mm	
SHEET NO. 1/3		SHEET/PAGES 1/3		FINISH COLOR	

WITHOUT STAND



A  
1:1

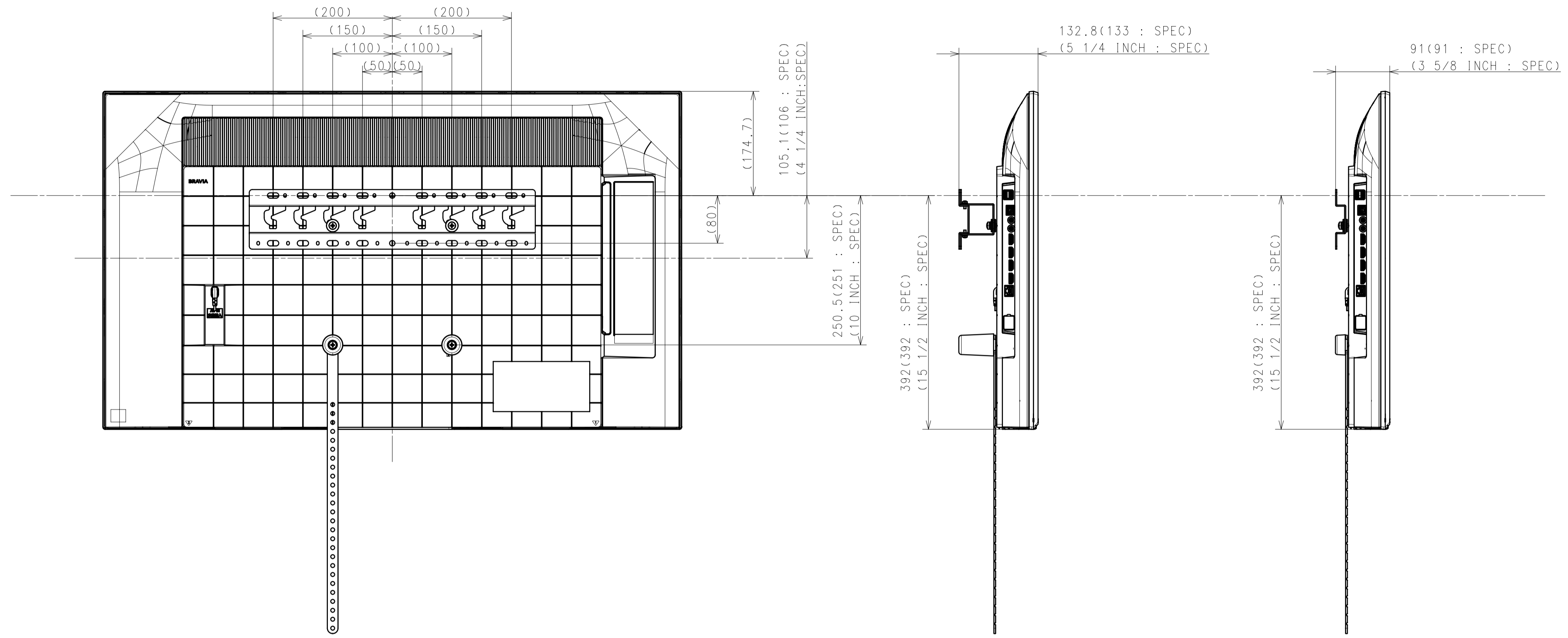


DESCRIPTION 1	43 (EZ20L) EXTERIOR VIEW	LEGAL OWNER	Sony Corporation	SCALE	1:5
DESCRIPTION 2	43 (EZ20L) EXTERIOR VIEW	PART NO.		SHEET/PAGES	2 / 3

SU-WL450

STANDARD

SLIM



DRAWING

SONY STANDARD

DESCRIPTION 1	LEGAL OWNER	SCALE
43 (EZ20L) EXTERIOR VIEW	Sony Corporation	1:5
DESCRIPTION 2	PART NO.	SHEET/PAGES
43 (EZ20L) EXTERIOR VIEW		3 / 3