

# MPXWBTA

PARAPET OR CEILING MOUNTING BRACKET



## DESCRIPTION

AISI 316L stainless steel adaptor module for parapet/ceiling mounting of MAXIMUS.

## TECHNICAL DATA

### MECHANICAL

Made of AISI 316L electropolished stainless steel  
Load rating: 40kg (88lb)  
Dimensions:  $\varnothing$  238mm (9.4in)  
Unit weight: 2.8kg (6.2lb)

## PART NUMBER

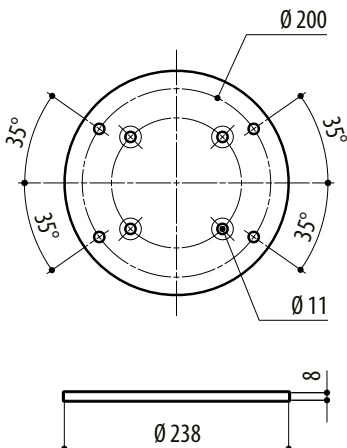
MPXWBTA AISI 316L stainless steel parapet or ceiling mounting bracket

## PACKAGE

Model Number	Weight	Dimensions (WxHxL)	Master carton
MPXWBTA	3.2kg (7.1lb)	33x27x6.5cm (13x11x2.4in)	-

## TECHNICAL DRAWINGS

The indicated measurements are expressed in millimetres.



MPXWBTA