

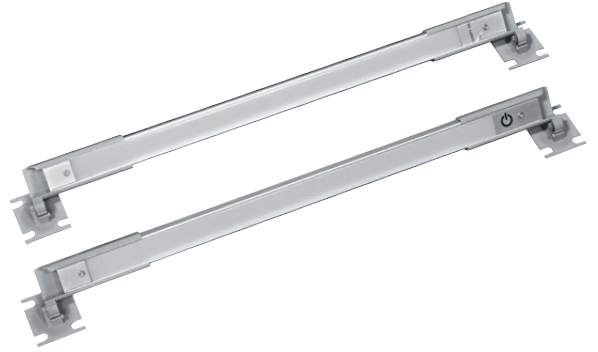
LT Series

rackmount LED worklight

integrator-focused rack lighting option offering unparalleled visibility during installation & servicing

features:

- Provides vertical and horizontal mounting capabilities to light anywhere it's needed or space is available
- Adjustable-angle light bar can be positioned so that its bright white LEDs will maximize full rack height illumination
- Two models provide the freedom to choose the level of lighting needed for the size of the rack or installation: Single light or Dual light with interconnect cable.
- Single light unit ships with multiple power adapters for expanded international application
- Low-profile, unobtrusive design won't impose on the installation and serviceability of the enclosure



specifications:

LT Series Rackmount/vertical LED worklight shall be Middle Atlantic Products model # LT-CABUTL-__ (refer to chart). LT series shall have an adjustable width of 17.73" to 21", a height of 1.75" and a depth of 1.72". LT series shall have a light temperature of 2,700-6,500K, and provide ___lm (refer to chart). LT series light bar shall have an adjustment range of 100°. LT series shall have a cord length of 59", and the interconnect cable (LT-CABUTL-DUAL only) shall be 118". LT Series shall include power adaptors for US, BS, SAA and EU. LT Series shall have a UL Listed power supply that meets US DOE Level VI requirements with an output of 12VDC, 2 Amps. LT Series shall have an input voltage range of 90VAC to 260VAC, an input frequency range of 50/60Hz, and a max AC current draw of 800mA AC. LT Series shall be warrantied to be free from defects in materials and workmanship under normal use and conditions for a period of 3 years. LT Series shall be CE Marked (single light only) and FCC Part 15, Class B.

Customizable specification clips available at middleatlantic.com

EIA/TIA COMPLIANT

what **great systems** are built on.™

A brand of **legrand**


Middle Atlantic Products
middleatlantic.com | middleatlantic.ca

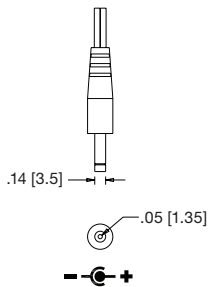
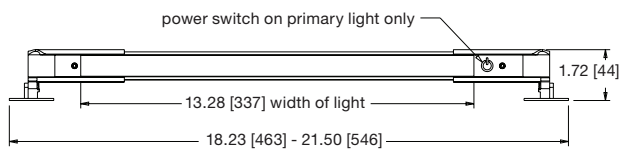
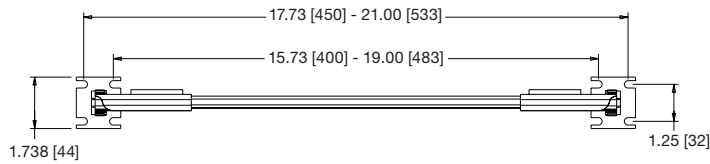
96-01240 / rev d / 5-29-20

LT Series

basic dimensions

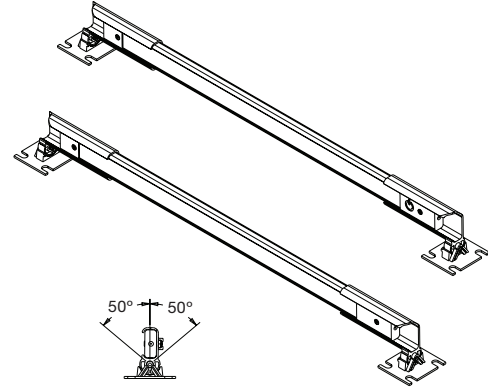
all dimensions in inches unless otherwise noted [all dimensions in brackets are in millimeters]

mounting brackets telescope to allow rackmount or a wide variety of mounting possibilities



Notes:
1. International power supply included. adaptors for US, BS, SAA, & EU included.
cord length 59 [1500] power supply output 12 VDC, 2A

	Light Qty	Interconnect Cable / Length	Light Temperature	Lumens
LT-CABUTL-SINGLE	1	no	2700-6500K	480-540lm
LT-CABUTL-DUAL	2	yes / 118 [3000]	2700-6500K	960-1080lm



TECHNICAL SPECIFICATIONS	LT-CABUTL-SINGLE	LT-CABUTL-DUAL
INPUT (AC/DC ADAPTER)		
Input Voltage Range	90VAC - 260VAC	
Input Frequency Range	50/60Hz	
Max AC Current Draw @ Full Load	800mA AC	
OUTPUT (AC/DC adapter)		
Nominal DC Output Voltage	12VDC	
DC Output Voltage Range	11.4VDC - 12.6VDC	
Typical DC Current Draw	Single Light 0.6ADC, Dual Light 1.2ADC	
Max DC Load Current	2.0ADC	
Short Circuit Protection	Yes	
DC Output Connector	3.5mm x 1.35mm x 12mm, Center Positive	
PHYSICAL (AC/DC adapter)		
Dimensions	1.8 x 3.5 x 1.5 in (45.5mm x 88mm x 38mm)	
AC Receptacles	Four (4) Interchangeable: US, BS, SAA, EU	
Weight Lb. (G)	0.39lb (175g)	
REGULATORY(AC/DC adapter)		
Safety	UL, cUL, CE	UL, cUL
EMI (Adapter and Lights)	FCC Class B, CE	FCC Class B
Efficiency	Meets US DOE Level VI requirements	
ENVIRONMENTAL (lights and AC/DC adapter)		
Operating Temperature	32F TO 104F (0C TO 40C)	
OPERATING RELATIVE		
Humidity	0 TO 90% NON-CONDENSING	

what **great systems** are built on.™

A brand of **legrand**

Middle Atlantic Products
middleatlantic.com | middleatlantic.ca