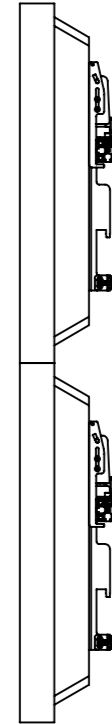
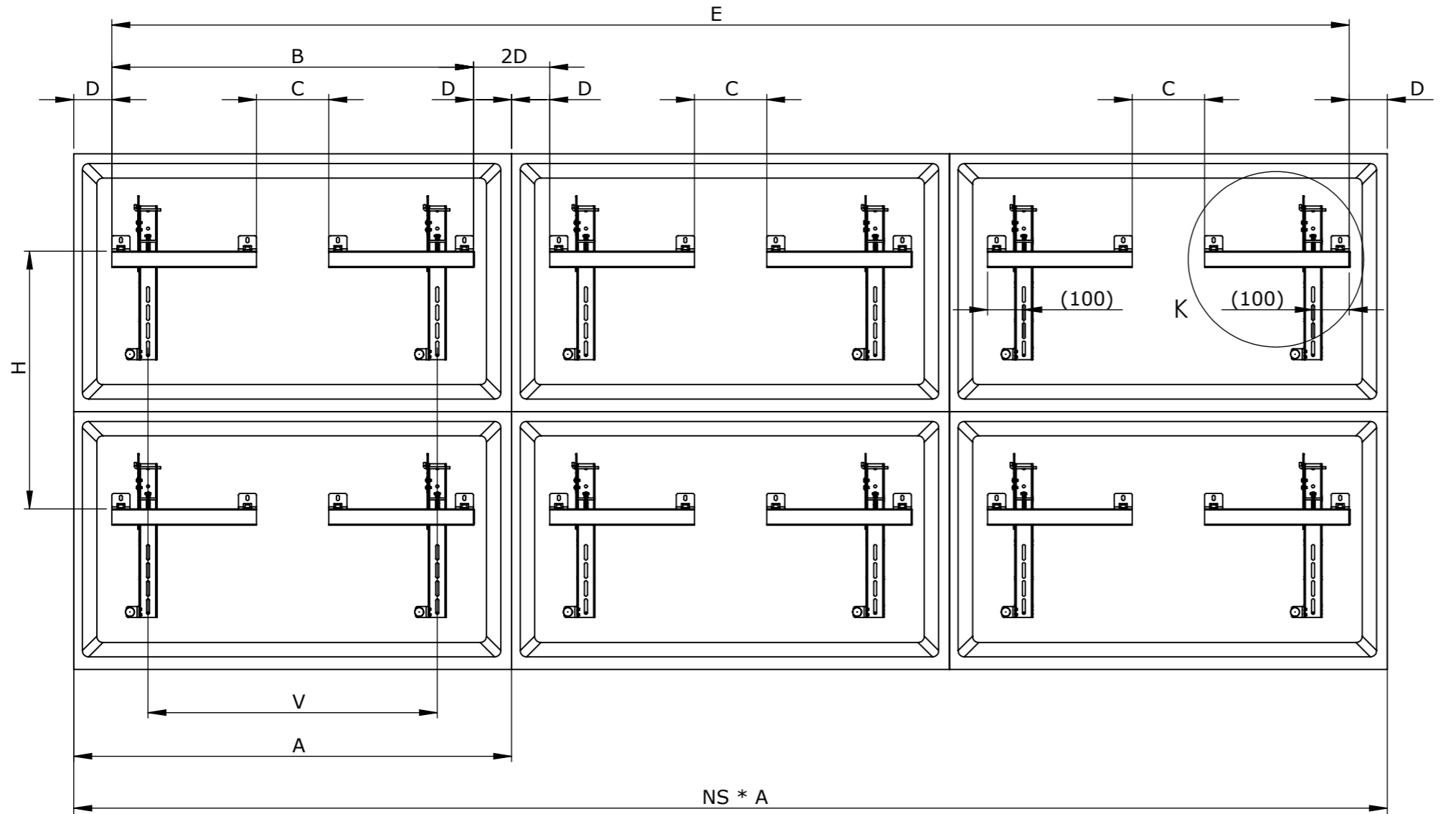
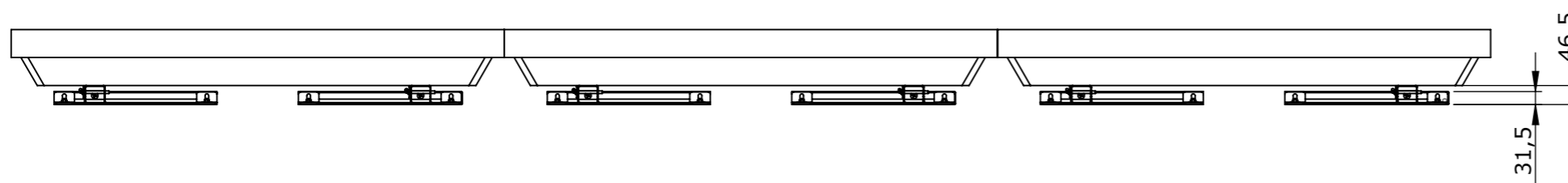
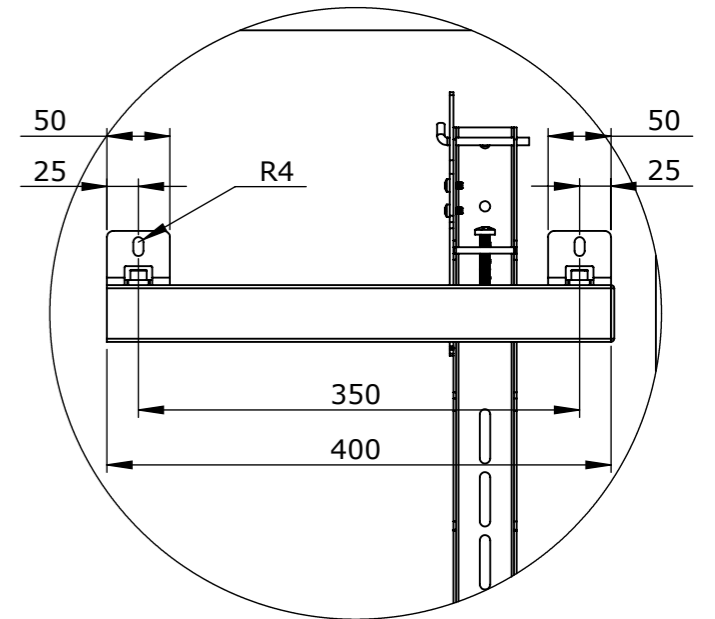


SMS Multi Display Wall Holepattern in the wall Dimensions (in mm)



DETAIL K
SCALE 1 : 6



Vesa V=200/300/400/500 and max 600

$$B=800$$

$$C=0$$

$$D=(A-B)/2$$

$$E=(NS*A)-(2*D)$$

Vesa V> 600/700 and max 800

$$B=(V+200)$$

$$C=(B-800)$$

$$D=(A-B)/2$$

$$E=(NS*A)-(2*D)$$

NS=Number of screens
A =Screen width
V =Vesa holepattern
H= Screen height