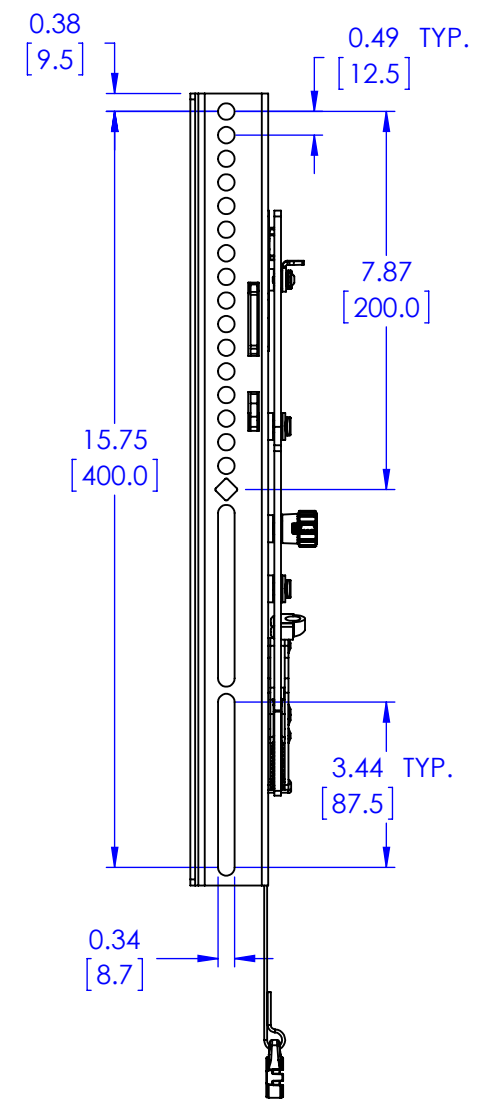
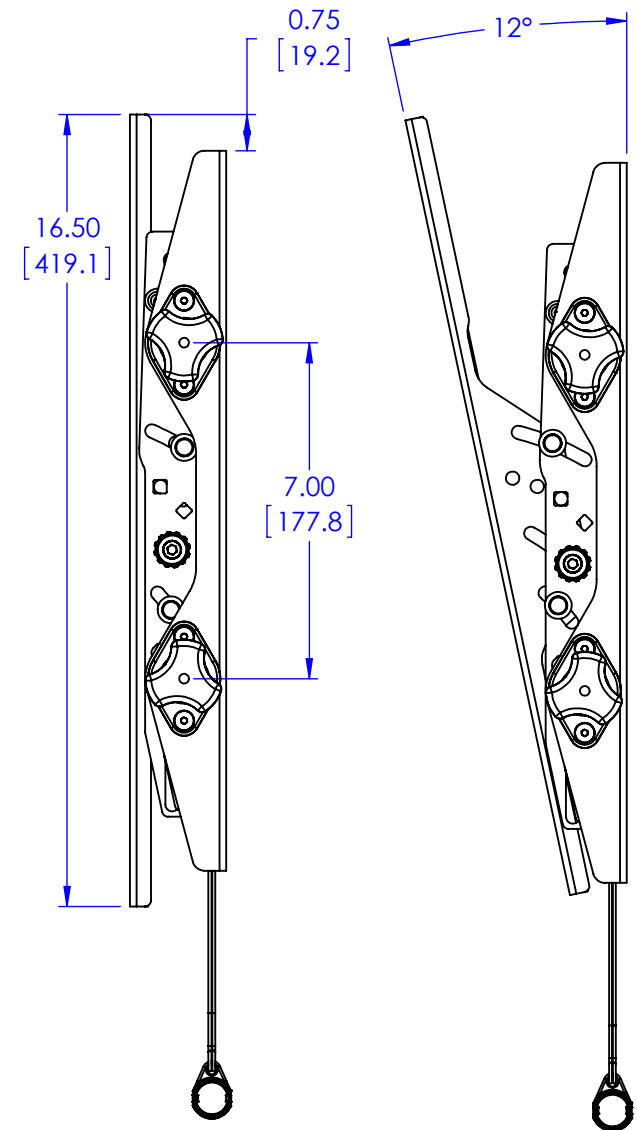


RAILS CAN BE SLID LEFT OR RIGHT FOR OFFSET



1. MAXIMUM MOUNTING PATTERN IS 22.25" (565 mm) WITHOUT REVERSING UPRIGHTS
2. MAXIMUM MOUNTING PATTERN IS 25.6" (650 mm) WITH REVERSING UPRIGHTS
3. FOR RECESSED APPLICATIONS, MINIMUM VERTICAL LIFT FOR HOOK ENGAGEMENT IS .75" (19 mm)

THE INFORMATION AND DESIGNS CONTAINED IN THIS DRAWING ARE CONFIDENTIAL AND THE PROPRIETARY PROPERTY OF MILESTONE AV TECHNOLOGIES NEITHER THIS DESIGN NOR ANY INFORMATION CONTAINED IN THIS DRAWING MAY BE REPRODUCED OR DISCLOSED TO OTHERS WITHOUT THE EXPRESS WRITTEN CONSENT OF MILESTONE AV TECHNOLOGIES.

|  |     |           |                                       |   |  |
|--|-----|-----------|---------------------------------------|---|--|
| CAD GENERATED DRAWING, DO NOT MANUALLY UPDATE. |     |           |                                       | 6436 CITY WEST PKWY<br>EDEN PRAIRIE MN, 55344<br>PHONE: 866-977-3901<br>FAX: 877-894-6918 |  |
| DRAWN BY                                       | JAB | 7/14/2014 |                                       | DESCRIPTION<br><b>MTA1U CUSTOMER TECHNICAL DRAWING</b>                                    |  |
| ENG APPROVAL                                   |     |           | MODEL NO.<br><b>MTA1U</b>             |   |  |
| MFG APPROVAL                                   |     |           | SIZE DWG. NO.<br><b>B TECH-000636</b> |   |  |
| QA APPROVAL                                    |     |           | REV.<br><b>01</b>                     |   |  |
| SHEET 1 OF 1                                   |     |           | SCALE<br><b>1:8</b>                   |   |  |