

NDA-8001-PLEN Plenum-rated mount kit



- ▶ Easy installation
- ▶ Corrosion-resistant finish
- ▶ Microphone support

The plenum-rated mount kit is easy to install and has a corrosion-resistant finish. This mount kit comes with a microphone support.

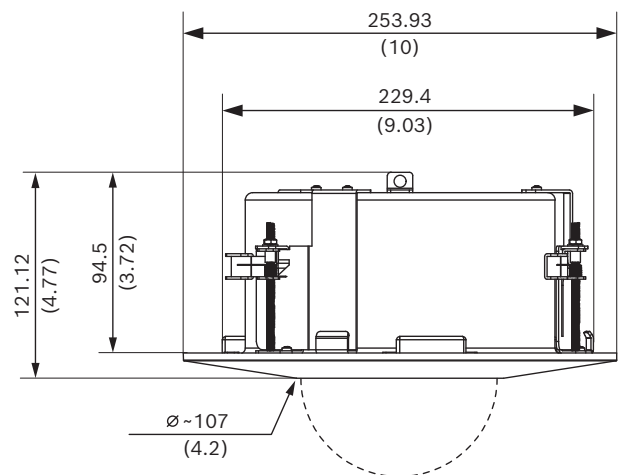
The plenum-rated mount kit is compatible with the FLEXIDOME IP 8000i cameras.

Regulatory information

Environmental

Fire test	UL 2043
-----------	---------

Installation/configuration notes



Dimensions in mm (inch)

Parts included

Quantity	Component
1	Mount kit
4	M6 x 12 mm T25 screw
1	Quick installation guide

Represented by:

Europe, Middle East, Africa:
 Bosch Security Systems B.V.
 P.O. Box 80002
 5600 JB Eindhoven, The Netherlands
 Phone: + 31 40 2577 284
www.boschsecurity.com/xc/en/contact/
www.boschsecurity.com

Germany:
 Bosch Sicherheitssysteme GmbH
 Robert-Bosch-Ring 5
 85630 Grasbrunn
 Tel.: +49 (0)89 6290 0
 Fax: +49 (0)89 6290 1020
de.securitysystems@bosch.com
www.boschsecurity.com

North America:
 Bosch Security Systems, LLC
 130 Perinton Parkway
 Fairport, New York, 14450, USA
 Phone: +1 800 289 0096
 Fax: +1 585 223 9180
onlinehelp@us.bosch.com
www.boschsecurity.com

Asia-Pacific:
 Robert Bosch (SEA) Pte Ltd, Security Systems
 11 Bishan Street 21
 Singapore 573943
 Phone: +65 6571 2808
 Fax: +65 6571 2699
www.boschsecurity.com/xc/en/contact/
www.boschsecurity.com

NDA-8001-PLEN Plenum-rated mount kit

Technical specifications

Mechanical	
Dimensions	Ø 229 mm (9.03 in) ceiling hole cutting size Depth: 94.5 mm (3.72 in)
Weight	1615 g (3.56 lb)
Standard Color	White (RAL 9003) (Decoration plate)
Construction Material	Steel; Polycarbonate (Decoration plate)
Mounting	In-ceiling

Ordering information

NDA-8001-PLEN Plenum-rated mount kit

Plenum-rated in-ceiling mount kit for
FLEXIDOME IP 8000i with microphone support
Order number **NDA-8001-PLEN | F.01U.398.393**

Accessories

NDA-8000-SP In-ceiling mount support kit

Soft ceiling support for in-ceiling mount kit for
FLEXIDOME IP 8000i.
Order number **NDA-8000-SP | F.01U.324.937**

Represented by:

Europe, Middle East, Africa:
Bosch Security Systems B.V.
P.O. Box 80002
5600 JB Eindhoven, The Netherlands
Phone: + 31 40 2577 284
www.boschsecurity.com/xc/en/contact/
www.boschsecurity.com

Germany:
Bosch Sicherheitssysteme GmbH
Robert-Bosch-Ring 5
85630 Grasbrunn
Tel.: +49 (0)89 6290 0
Fax: +49 (0)89 6290 1020
de.securitysystems@bosch.com
www.boschsecurity.com

North America:
Bosch Security Systems, LLC
130 Perinton Parkway
Fairport, New York, 14450, USA
Phone: +1 800 289 0096
Fax: +1 585 223 9180
onlinehelp@us.bosch.com
www.boschsecurity.com

Asia-Pacific:
Robert Bosch (SEA) Pte Ltd, Security Systems
11 Bishan Street 21
Singapore 573943
Phone: +65 6571 2808
Fax: +65 6571 2699
www.boschsecurity.com/xc/en/contact/
www.boschsecurity.com