

DS-D5055UC-C 55-inch LCD Monitor



- Designed for video security, high reliability and stability
- 55" LED backlight with wide display equipment
- 4K resolution is 4 times the resolution of 1080p, providing a wider view and more fine detail
- Multiple inputs: HDMI, VGA, USB
- Narrow front bezel
- Wide view angle: Horizontal 178°, Vertical 178°
- 24/7 operation

▪ Specification

Model		DS-D5055UC-C
Display	Screen Size	55"
	Active Display Area	1209.6 (H) mm × 680.4 (V) mm
	Resolution	3840 × 2160@60 Hz
	Backlight	LED
	Pixel Pitch	0.315 (H) mm × 0.315 (V) mm
	Brightness	350 cd/m ²
	Viewing Angle	178° (H)/178° (V)
	Color Depth	8 bit
	Contrast Ratio	1200:1
	Response Time	8 ms
	Refresh Rate	60 Hz
	Haze	1%
	Reliability	7 × 24 H
	Color Gamut	72% NTSC
Interface	Video & Audio Input	HDMI 1.4 × 1, HDMI 2.0 × 1, VGA × 1, Audio in × 1
	Video & Audio Output	Speaker (6 Ω 7 W) × 2
	Data Transmission Interface	USB × 1
Power	Power Supply	100~240 VAC, 50/60 Hz
	Power Consumption	≤ 145 W
	Standby Consumption	≤ 0.5 W
Working Environment	Working Temperature	0 °C to 40 °C (32 °F to 104 °F)
	Working Humidity	20% to 80% RH (Non-Condensing)
	Storage Temperature	-20 °C to 60 °C (-4 °F to 140 °F)
	Storage Humidity	10% to 90% RH (Non-Condensing)
General	Casing Material	Plastic
	VESA	200 mm × 200 mm (4 × M6 mm)
	Bezel Width	8.24 mm (top/left/right), 20.69 mm (bottom)
	Product Dimensions (W × H × D)	Without stand: 1230.08 mm × 713.39 mm × 85.55 mm (48.43" × 28.09" × 3.37") With stand: 1230.08 mm × 786.86 mm × 267.87 mm (48.43" × 30.98" × 10.55")
	Package Dimensions (W × H × D)	1360 mm × 860 mm × 160 mm (53.54" × 33.86" × 6.30")
	Net Weight	11.769 ± 0.5 kg (25.9 ± 1.1 lb)
	Gross Weight	15.889 ± 0.5 kg (35.0 ± 1.1 lb)
	Packing List	Monitor × 1, Remote control × 1, Quick start guide (multilingual) × 1, EU energy efficiency label × 1, Power cable × 1, Screw pack × 1, User manual × 1, Base × 1
	Remarks	If the appearance and parameters in this specification vary from the actual product, the latter prevails. You can also consult local sale staff.

▪ **Physical Interface**

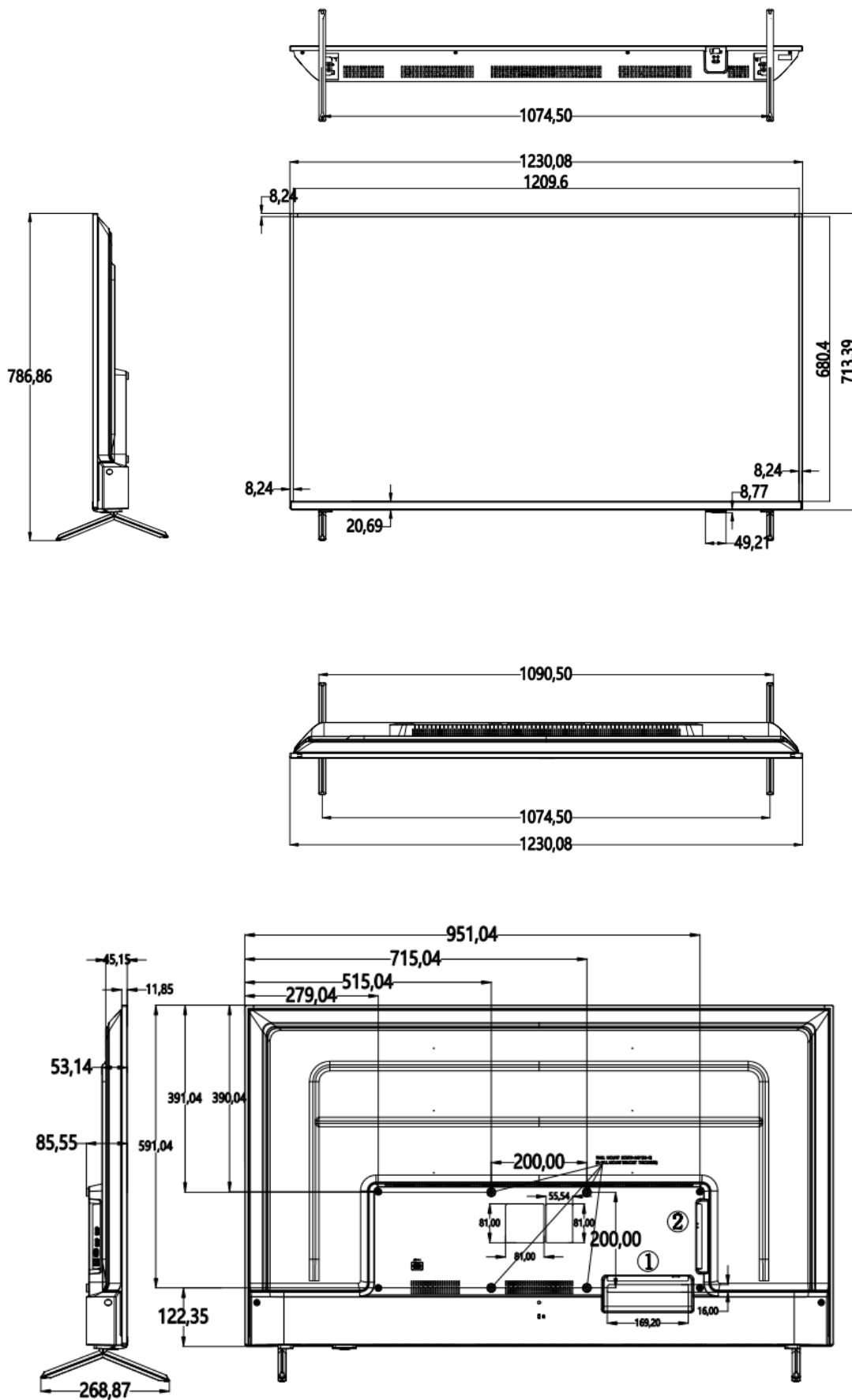
Interface	Description	Interface	Description
AC IN	100-240 VAC Power Input	AUDIO IN	Audio input for VGA source
VGA IN	VGA video input	RS232	Receive command signals from the external RS232 device
USB port	Connect to the USB storage device	HDMI 1	HDMI 1.4, up to 4K@30 Hz
HDMI 2	HDMI 2.0, up to 4K@60 Hz		



▪ **Available Model**

DS-D5055UC-C

Dimension



Headquarters

No.555 Qianmo Road, Binjiang District,
Hangzhou 310051, China
T +86-571-8807-5998
www.hikvision.com



Follow us on social media to get the latest product and solution information.

