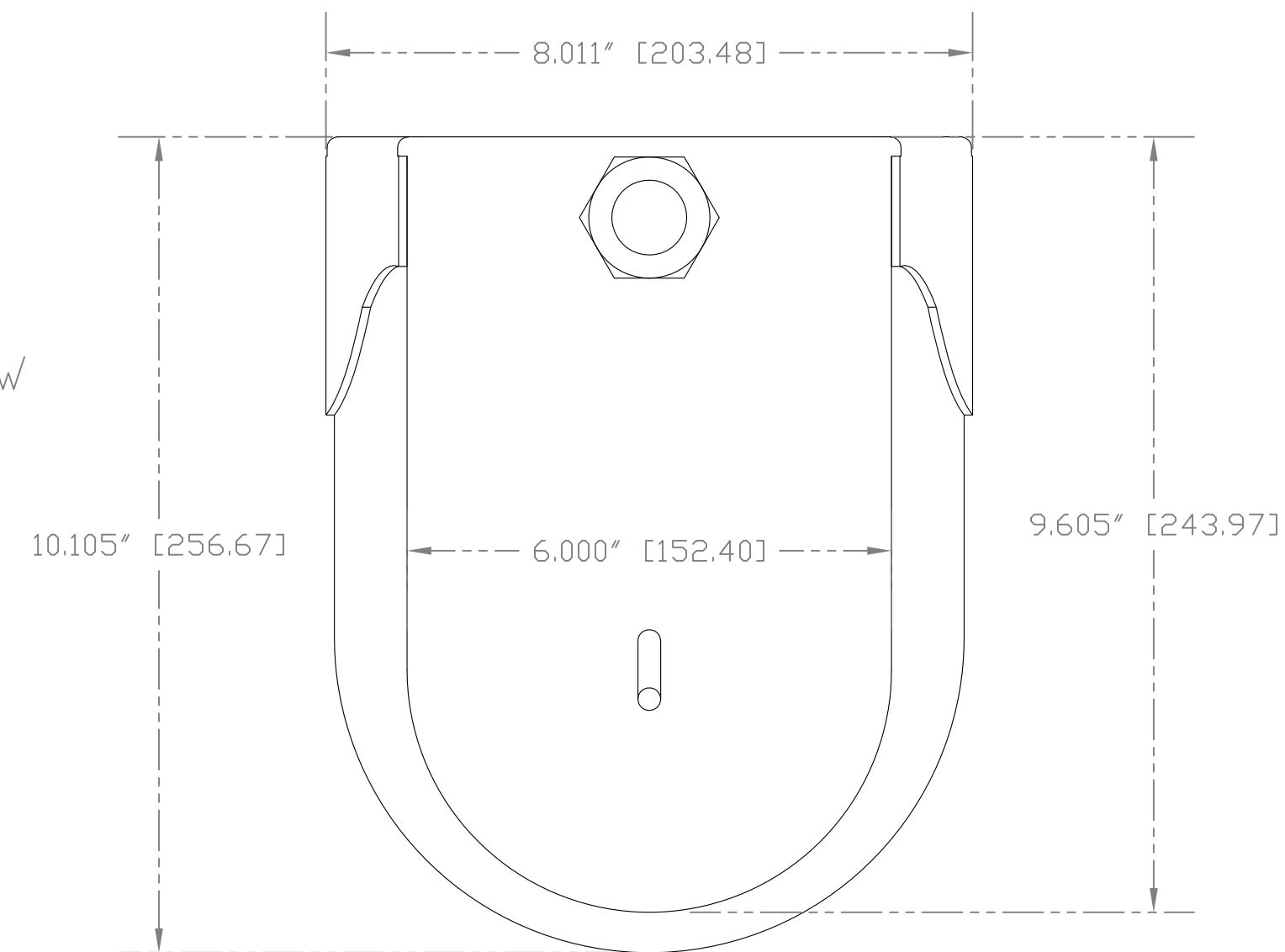
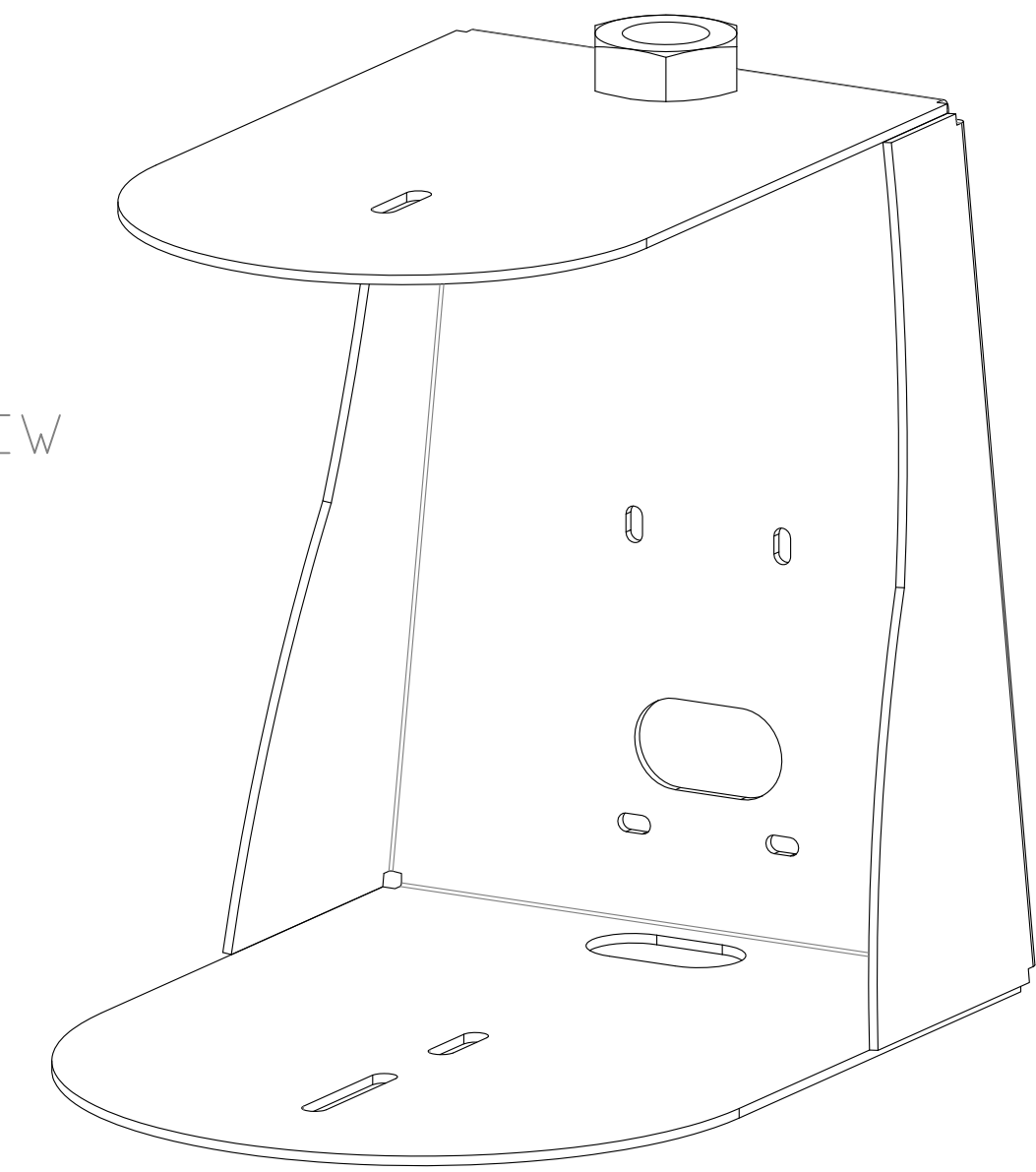


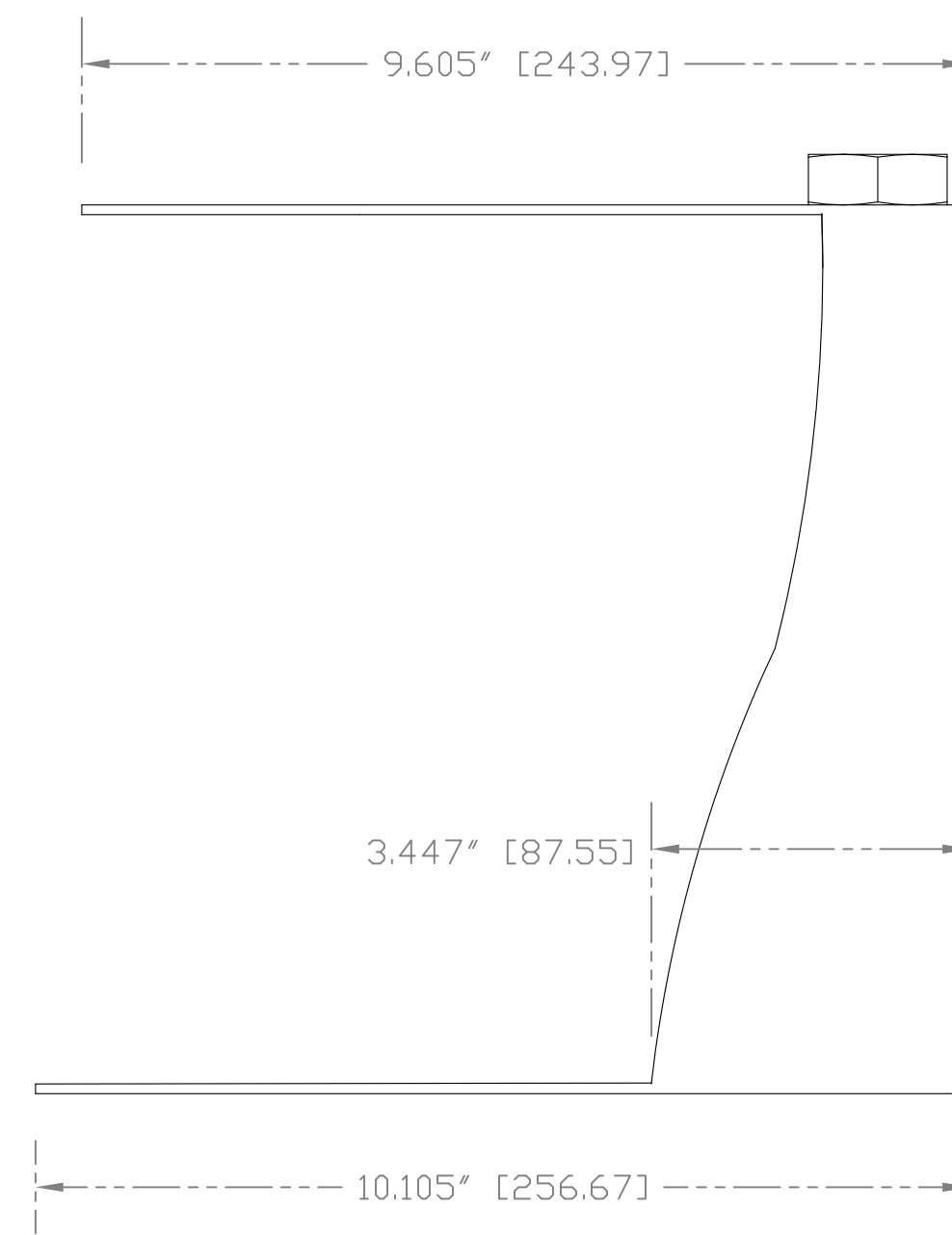
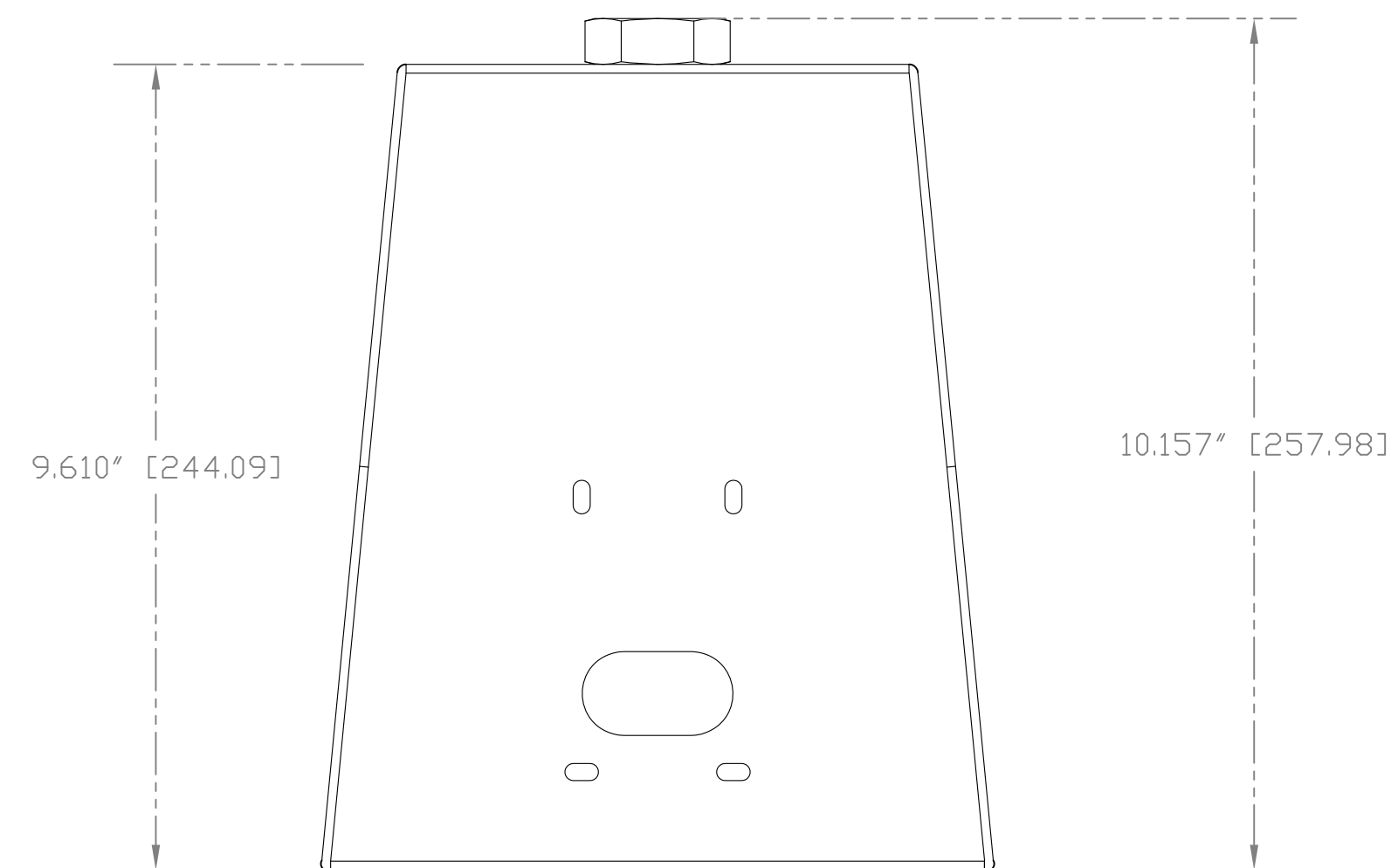
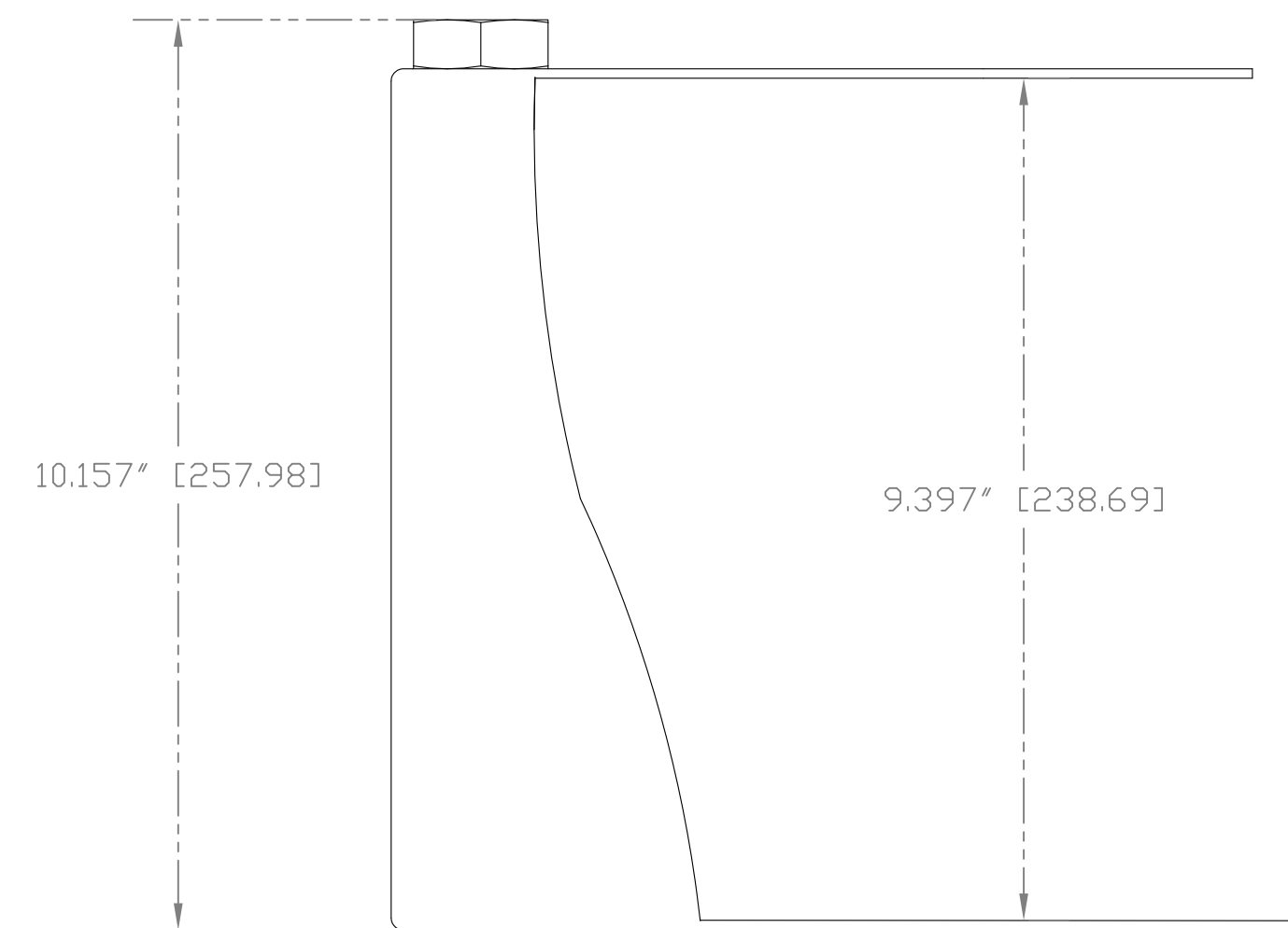
TOP VIEW



ISO VIEW



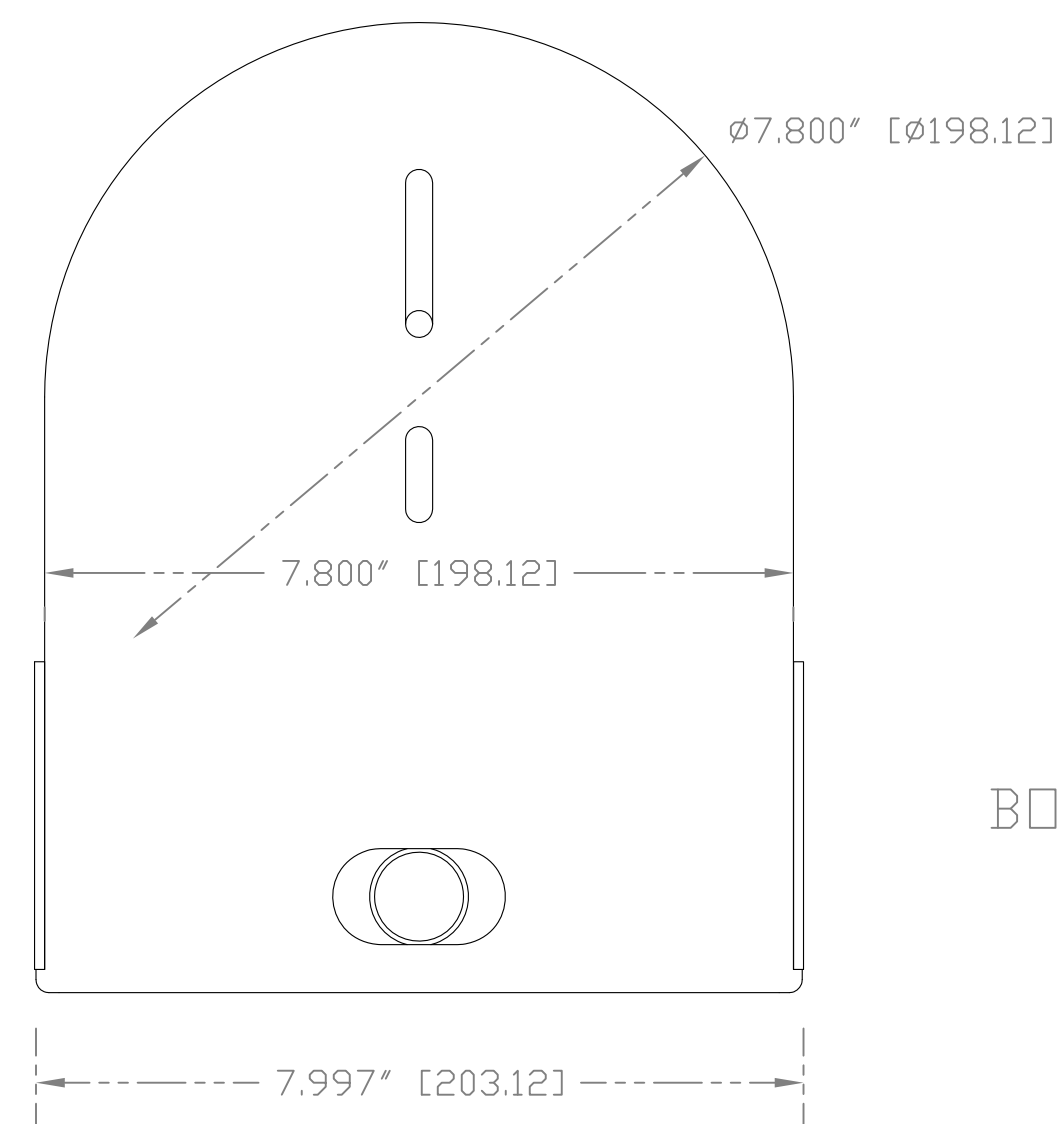
SIDE VIEW 1



SIDE VIEW 2

FRONT VIEW

BOTTOM VIEW



vaddio

GENERAL NOTES:
DIMENSIONS ARE IN INCHES (mm) UNLESS OTHERWISE NOTED.
DO NOT DISTRIBUTE WITHOUT EXPRESS WRITTEN PERMISSION
OF VADDIO. DUE TO OUR CONTINUING EFFORTS TO ENHANCE
OUR PRODUCTS, WE RESERVE THE RIGHT TO CHANGE
SPECIFICATIONS WITHOUT PRIOR NOTICE OR OBLIGATION.

Double Decker Wall Mount for RoboTRAK

PN: 342-1201 - Shipped with RoboTRAK System

DRAWN RAR/WLF	CHECKED	APPROVED RAR	DATE 11/1/2016
------------------	---------	-----------------	-------------------

THIS DRAWING, INCLUDING ALL SUBJECT MATTERS INDICATED THEREON OR DERIVED THEREFROM, COMPRISES PROPRIETARY INFORMATION AND IS THE EXPRESS PROPERTY OF VADDIO. All Rights Reserved - Copyright © 2016

MATERIALS CRS SHT, .105 (12 GA) BLACK POWDERCOAT - C241-BK303	SCALE 1:2	DRAWING No. 342-1201	REV A
COMMENTS Thermal Polarizing Equalizer (TPE) - NOT INCLUDED	SIZE D		