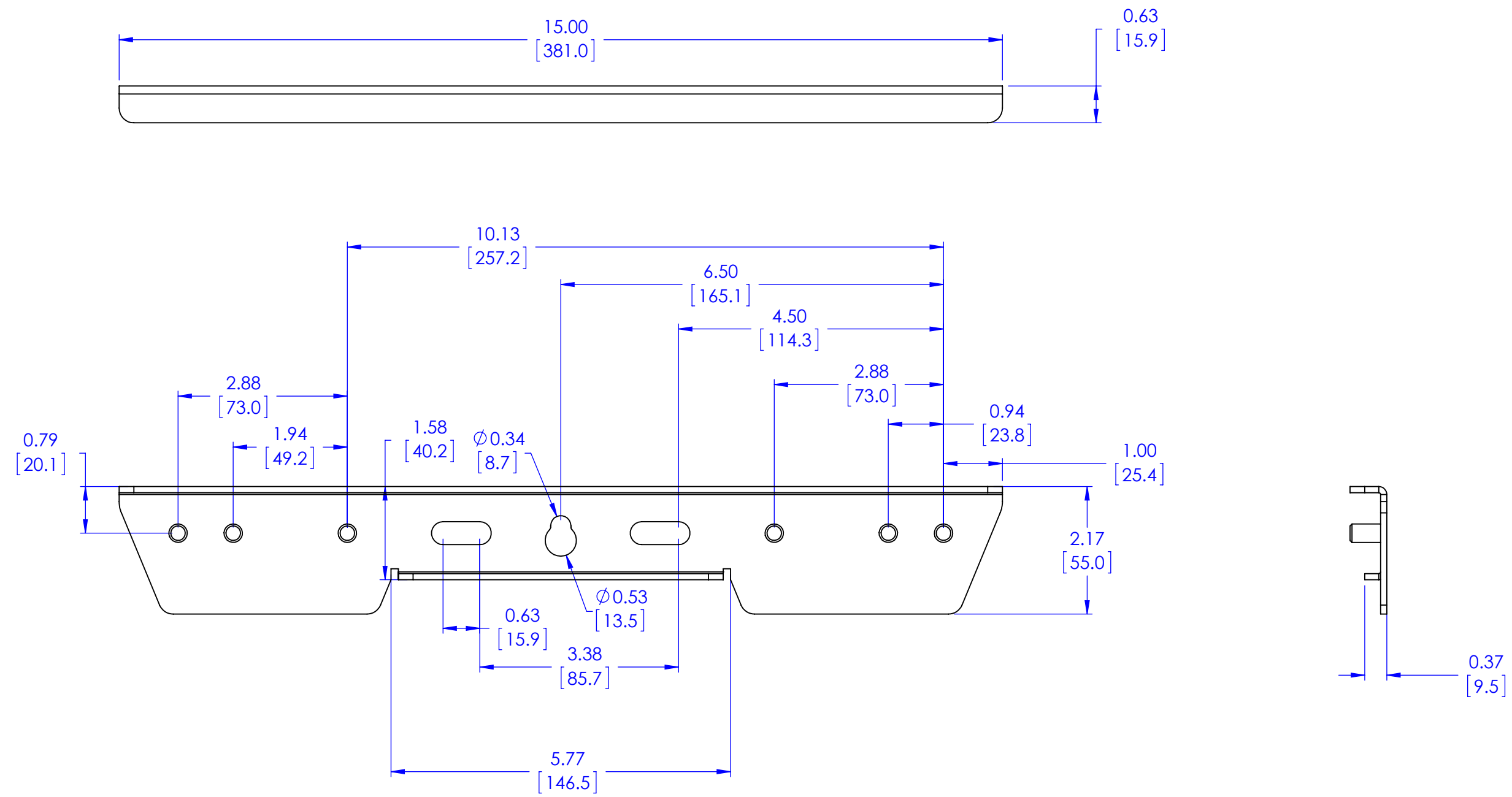


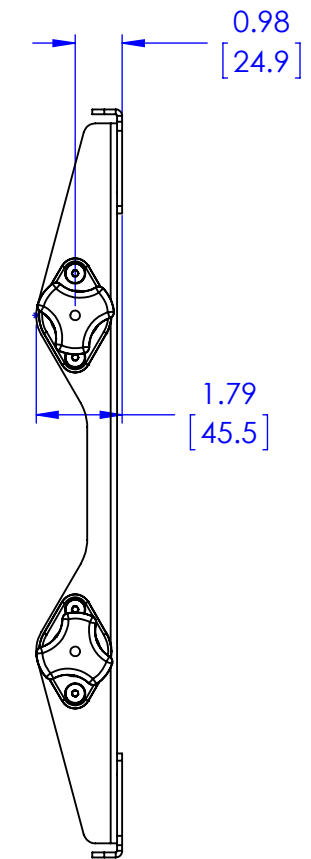
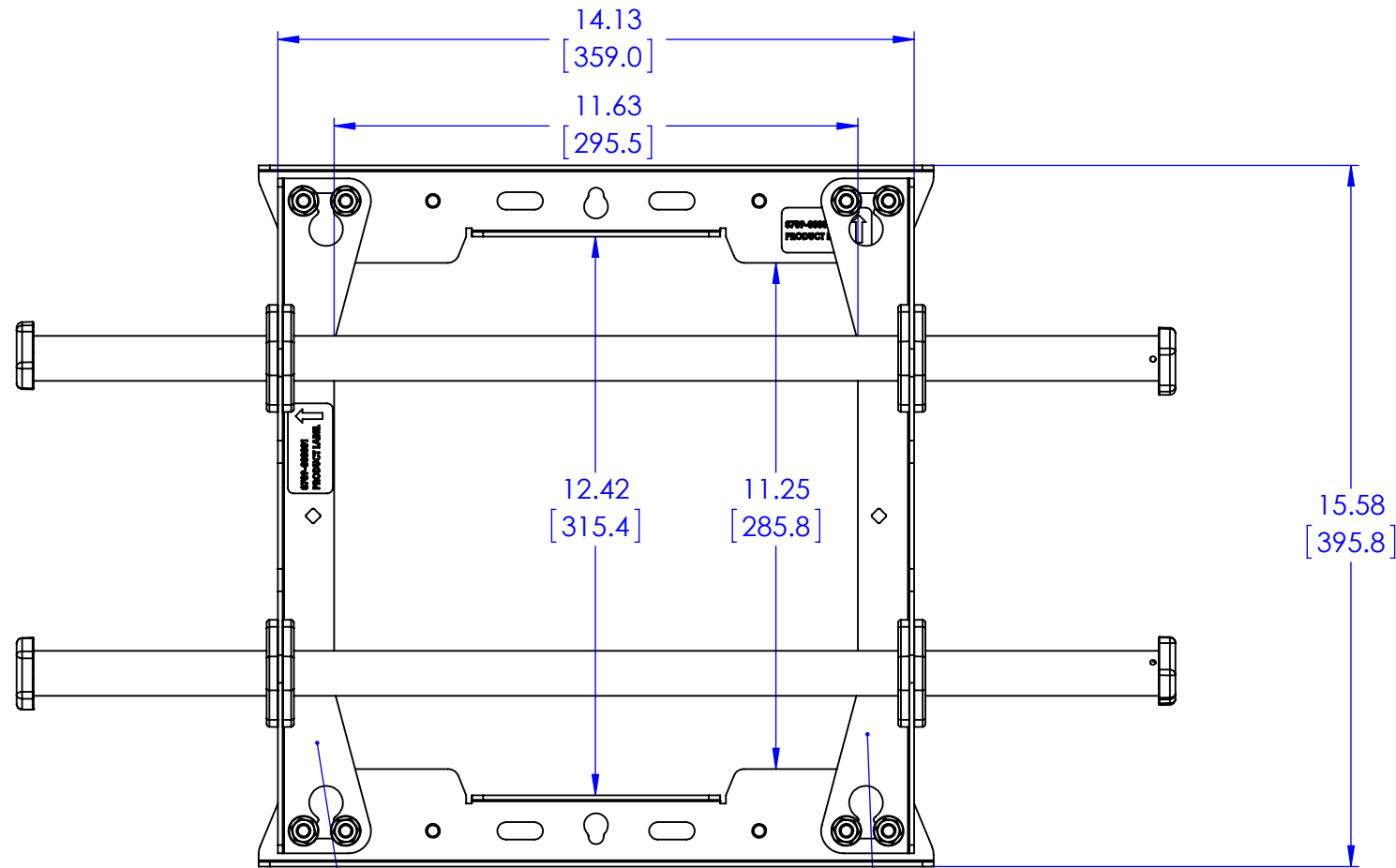
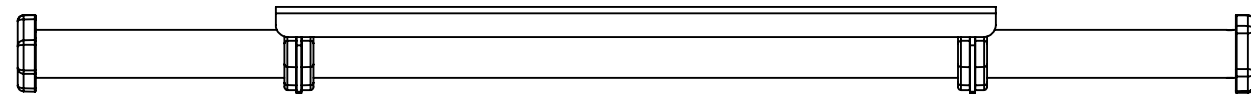
KIT INCLUDES TWO BRACKETS



THE INFORMATION AND DESIGNS CONTAINED IN THIS DRAWING ARE CONFIDENTIAL AND THE PROPRIETARY PROPERTY OF MILESTONE AV TECHNOLOGIES NEITHER THIS DESIGN NOR ANY INFORMATION CONTAINED IN THIS DRAWING MAY BE REPRODUCED OR DISCLOSED TO OTHERS WITHOUT THE EXPRESS WRITTEN CONSENT OF MILESTONE AV TECHNOLOGIES.

CAD GENERATED DRAWING, DO NOT MANUALLY UPDATE.			CHIEF		6436 CITY WEST PKWY EDEN PRAIRIE MN, 55344 PHONE: 866-977-3901 FAX: 877-894-6918
DRAWN BY	JAB	10/1/2014	DESCRIPTION FUSION, SINGLE STUD ADAPTER KIT		
ENG APPROVAL			MODEL NO. FCA1S		
MFG APPROVAL			SIZE	DWG. NO.	REV.
QA APPROVAL			B	TECH-000654	00
SHEET 1 OF 3		SCALE 1:2			

SHOWN WITH MTA1U
NOT INCLUDED

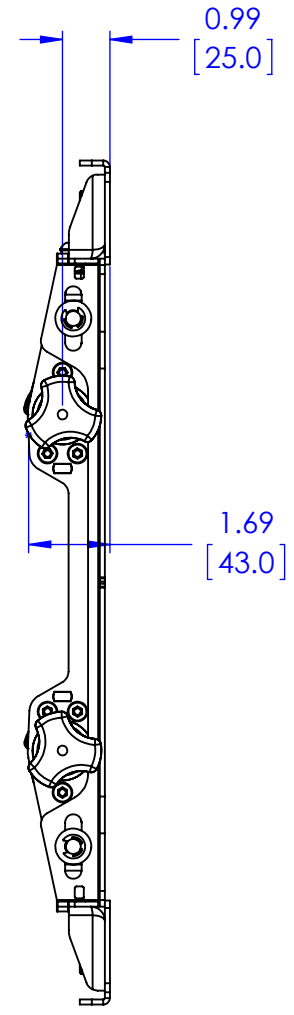
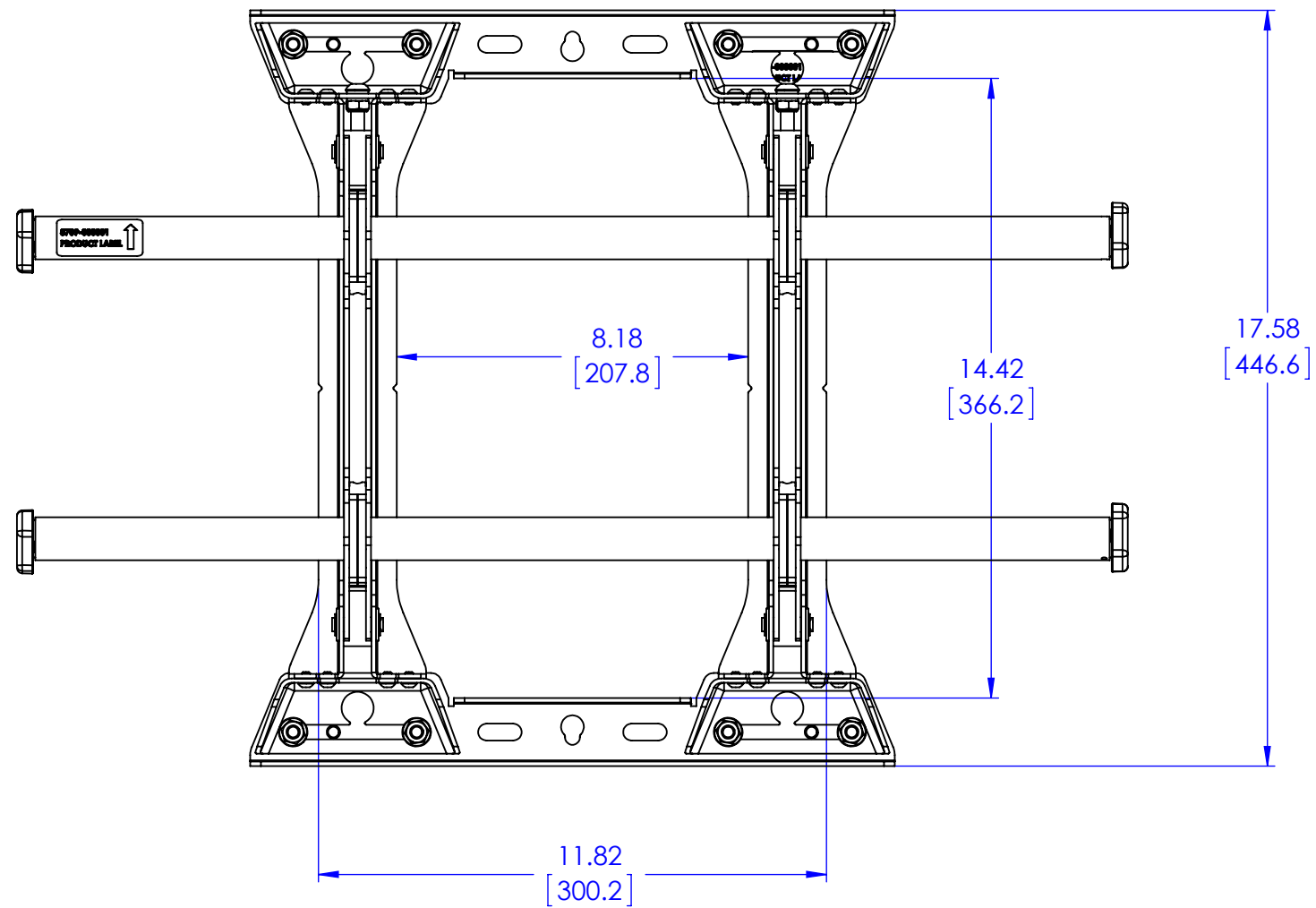
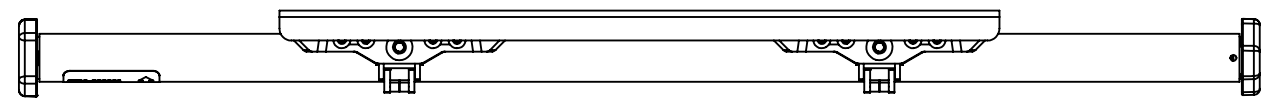


BRACKETS CAN BE REVERSED
IF NECESSARY

THE INFORMATION AND DESIGNS CONTAINED IN THIS DRAWING ARE CONFIDENTIAL AND THE PROPRIETARY PROPERTY OF MILESTONE AV TECHNOLOGIES NEITHER THIS DESIGN NOR ANY INFORMATION CONTAINED IN THIS DRAWING MAY BE REPRODUCED OR DISCLOSED TO OTHERS WITHOUT THE EXPRESS WRITTEN CONSENT OF MILESTONE AV TECHNOLOGIES.

CAD GENERATED DRAWING, DO NOT MANUALLY UPDATE.			6436 CITY WEST PKWY EDEN PRAIRIE MN, 55344 PHONE: 866-977-3901 FAX: 877-894-6918	
DRAWN BY	JAB	10/1/2014		
ENG APPROVAL			DESCRIPTION FUSION, SINGLE STUD ADAPTER KIT	
MFG APPROVAL			MODEL NO. FCA1S	
QA APPROVAL			SIZE B	DWG. NO. TECH-000654
SHEET 2 OF 3			SCALE 1:4	REV. 00

SHOWN WITH MTM1U
NOT INCLUDED



THE INFORMATION AND DESIGNS CONTAINED IN THIS DRAWING ARE CONFIDENTIAL AND THE PROPRIETARY PROPERTY OF MILESTONE AV TECHNOLOGIES NEITHER THIS DESIGN NOR ANY INFORMATION CONTAINED IN THIS DRAWING MAY BE REPRODUCED OR DISCLOSED TO OTHERS WITHOUT THE EXPRESS WRITTEN CONSENT OF MILESTONE AV TECHNOLOGIES.

CAD GENERATED DRAWING, DO NOT MANUALLY UPDATE.			6436 CITY WEST PKWY EDEN PRAIRIE MN, 55344 PHONE: 866-977-3901 FAX: 877-894-6918
DRAWN BY	JAB	10/1/2014	
ENG APPROVAL			DESCRIPTION FUSION, SINGLE STUD ADAPTER KIT
MFG APPROVAL			MODEL NO. FCA1S
QA APPROVAL			SIZE DWG. NO. REV. B TECH-000654 00
SHEET 3 OF 3			SCALE 1:4