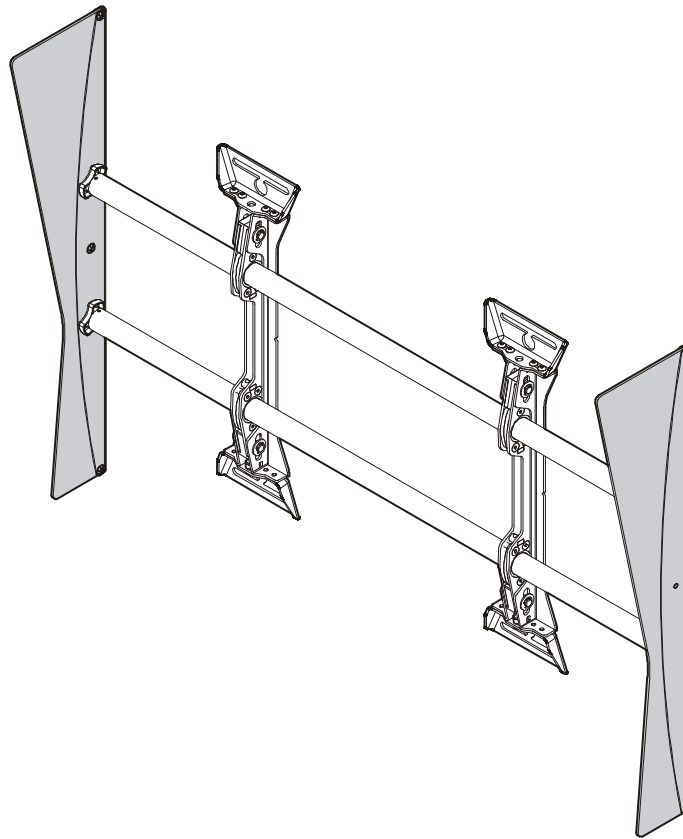

INSTALLATION INSTRUCTIONS



Fusion Side Covers Accessory

DISCLAIMER

Milestone AV Technologies and its affiliated corporations and subsidiaries (collectively "Milestone"), intend to make this manual accurate and complete. However, Milestone makes no claim that the information contained herein covers all details, conditions or variations, nor does it provide for every possible contingency in connection with the installation or use of this product. The information contained in this document is subject to change without notice or obligation of any kind. Milestone makes no representation of warranty, expressed or implied, regarding the information contained herein. Milestone assumes no responsibility for accuracy, completeness or sufficiency of the information contained in this document.

Chief® is a registered trademark of Milestone AV Technologies. All rights reserved.

! IMPORTANT SAFETY INSTRUCTIONS

! WARNING: A WARNING alerts you to the possibility of serious injury or death if you do not follow the instructions.

! CAUTION: A CAUTION alerts you to the possibility of damage or destruction of equipment if you do not follow the corresponding instructions.

! WARNING: Failure to read, thoroughly understand, and follow all instructions can result in serious personal injury, damage to equipment, or voiding of factory warranty! It is the

installer's responsibility to make sure all components are properly assembled and installed using the instructions provided

! WARNING: Exceeding the weight capacity can result in serious personal injury or damage to equipment! Adding the FCA106 accessory does NOT change the weight capacity listed for the mount.

! WARNING: Use this accessory only for its intended use as described in these instructions. Do not use attachments not recommended by the manufacturer.

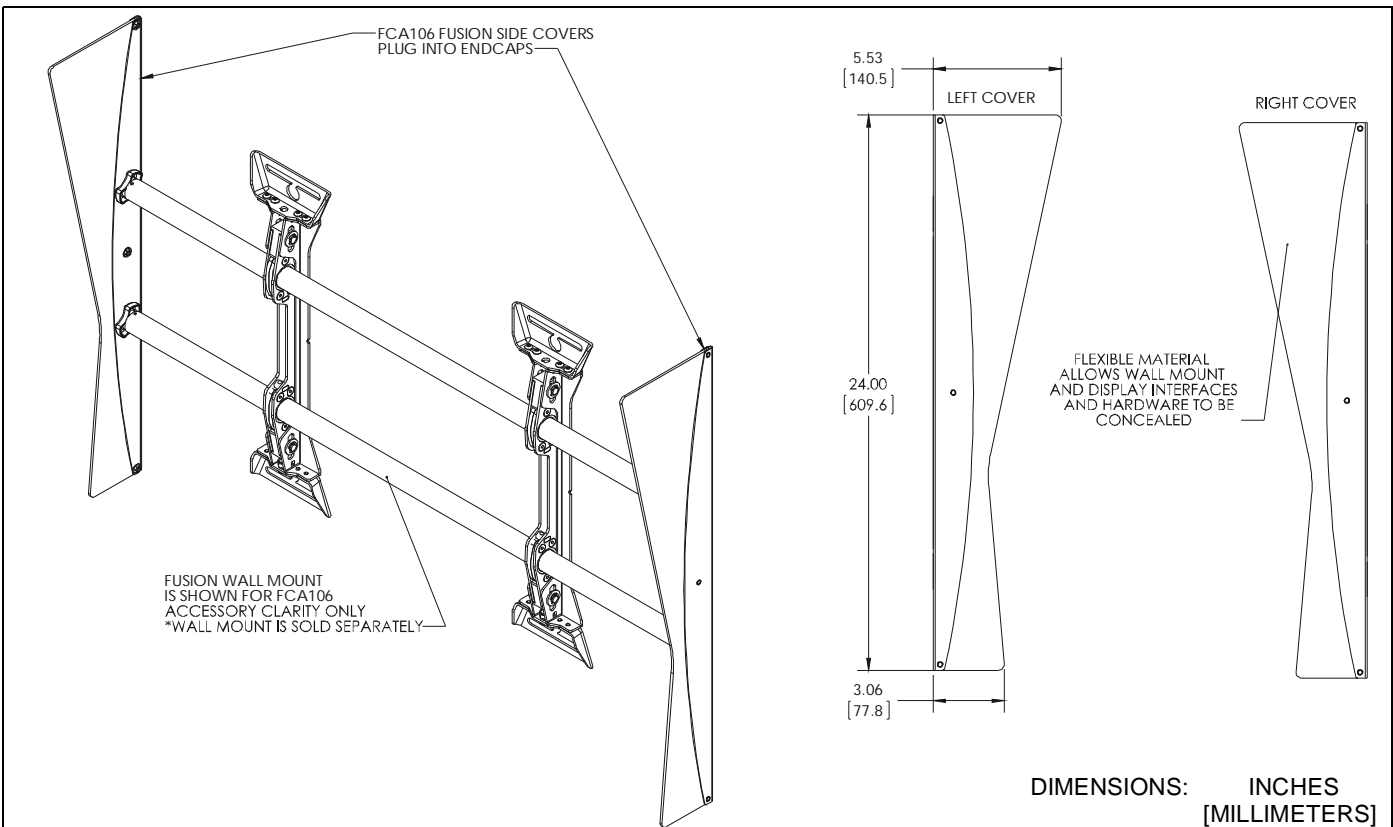
! WARNING: Never operate this accessory if it is damaged. Return the accessory to a service center for examination and repair.

! WARNING: Do not use this product outdoors.

NOTE: The FCA106 is intended to be used with Fusion Series mounts.

--SAVE THESE INSTRUCTIONS--

DIMENSIONS



PARTS

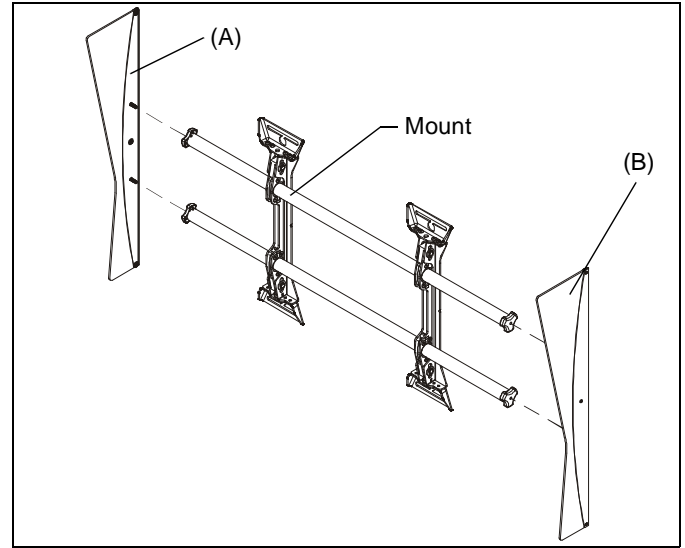
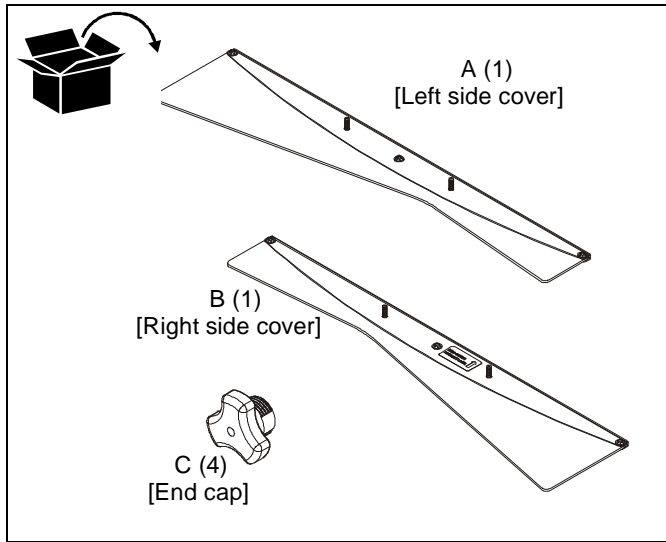


Figure 2

INSTALLATION

1. Compare end caps in mount with end caps included with FCA106 accessory. (See Figure 1)
 - If end cap styles are **Example A** in Figure 1, remove the end caps from the mount and discard. **[Proceed to Step 2]**
 - If end caps are **Example B** in Figure 1, leave the end caps installed. **[Proceed to Step 3]**
2. Insert four new end caps (C) into mount and hand tighten. (See Figure 1)

4. Roll the edges of the side covers in toward mount and tuck slightly behind display for proper coverage. (See Figure 3)

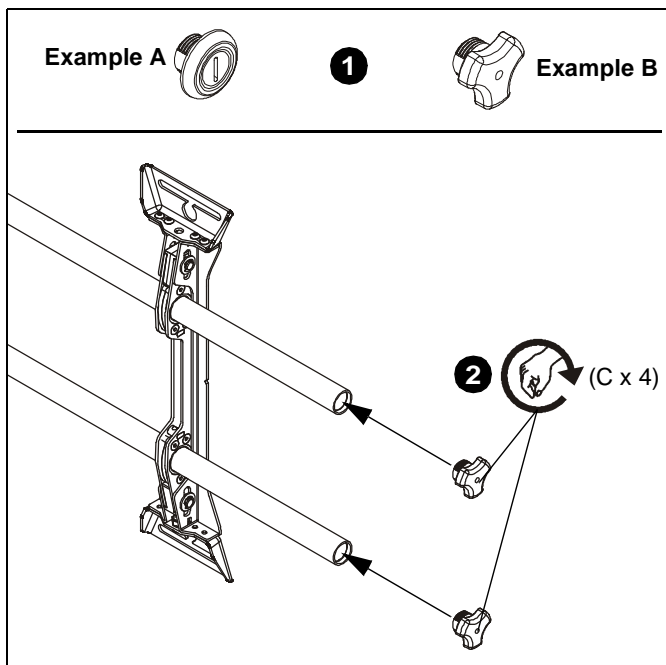


Figure 1

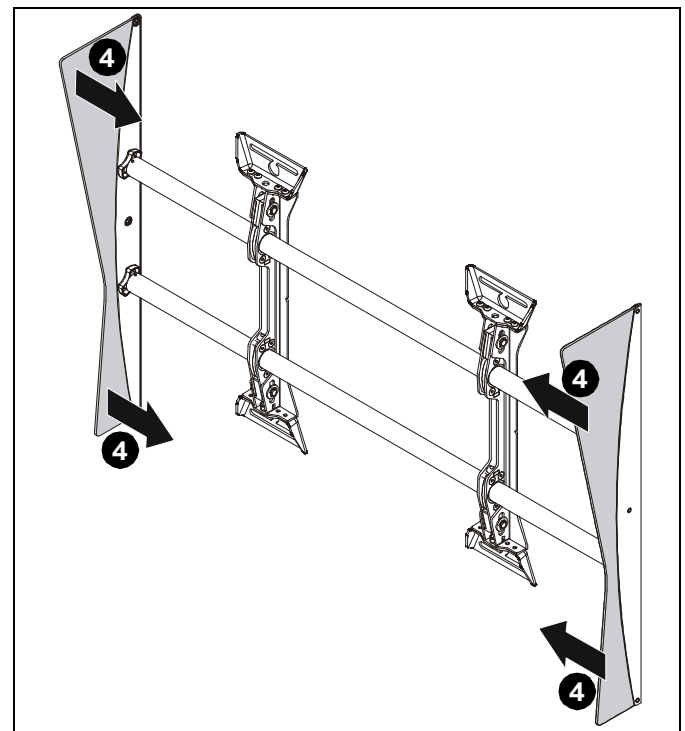


Figure 3

3. Insert left side cover (A) and right side cover (B) [with narrower end towards bottom] into mount end caps. (See Figure 2)



Our Mounts. **Your Vision.**

Chief, a products division of
Milestone AV Technologies

8800-002670 Rev00
©2015 Milestone AV Technologies
www.chiefmfg.com
01/15

USA/International	A 6436 City West Parkway, Eden Prairie, MN 55344 P 800.582.6480 / 952.225.6000 F 877.894.6918 / 952.894.6918
Europe	A Franklinstraat 14, 6003 DK Weert, Netherlands P +31 (0) 495 580 852 F +31 (0) 495 580 845
Asia Pacific	A Office No. 918 on 9/F, Shatin Galleria 18-24 Shan Mei Street Fotan, Shatin, Hong Kong P 852 2145 4099 F 852 2145 4477

