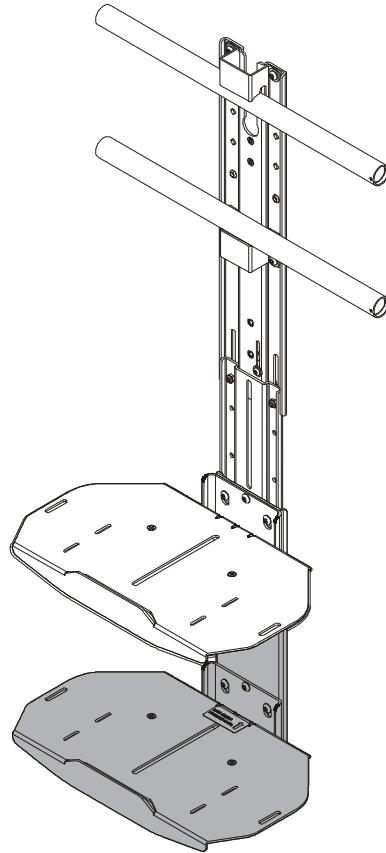

INSTALLATION INSTRUCTIONS



Fusion™ Stackable Accessory Shelf

DISCLAIMER

Milestone AV Technologies and its affiliated corporations and subsidiaries (collectively "Milestone"), intend to make this manual accurate and complete. However, Milestone makes no claim that the information contained herein covers all details, conditions or variations, nor does it provide for every possible contingency in connection with the installation or use of this product. The information contained in this document is subject to change without notice or obligation of any kind. Milestone makes no representation of warranty, expressed or implied, regarding the information contained herein. Milestone assumes no responsibility for accuracy, completeness or sufficiency of the information contained in this document.

Chief® is a registered trademark of Milestone AV Technologies. All rights reserved.

DEFINITIONS

MOUNTING SYSTEM: A MOUNTING SYSTEM is the primary Chief product to which an accessory and/or component is attached.

ACCESSORY: AN ACCESSORY is the secondary Chief product which is attached to a primary Chief product, and may have a component attached or setting on it.

COMPONENT: A COMPONENT is an audiovisual item designed to be attached or resting on an accessory or mounting system such as a video camera, CPU, screen, display, projector, etc.

WARNING: A WARNING alerts you to the possibility of serious injury or death if you do not follow the instructions.

CAUTION: A CAUTION alerts you to the possibility of damage or destruction of equipment if you do not follow the corresponding instructions.

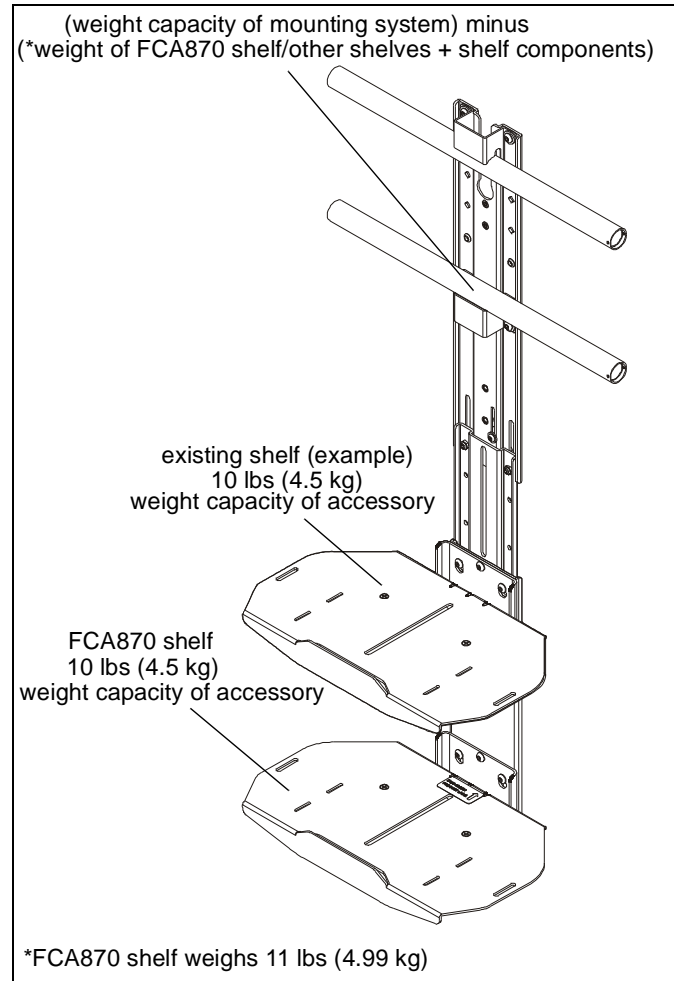
IMPORTANT SAFETY INSTRUCTIONS

WARNING: Failure to read, thoroughly understand, and follow all instructions can result in serious personal injury, damage to equipment, or voiding of factory warranty! It is the installer's responsibility to make sure all accessories are properly assembled and installed using the instructions provided.

WARNING: Exceeding the weight capacity can result in serious personal injury or damage to equipment! It is the installer's responsibility to make sure the combined weight mounted to the FCA870 does not exceed 10 lbs (4.5 kg).

WARNING: Use of this accessory will decrease the weight capacity of the mounting system to which it is attached by the combined weight of the accessory and all components supported by this accessory! See Figure below.

NOTE: Use of this accessory will NOT decrease the weight capacity of the shelf or bracket accessory to which this accessory is attached. See figure below.



WARNING: Use this accessory only for its intended use as described in these instructions. Do not use attachments not recommended by the manufacturer.

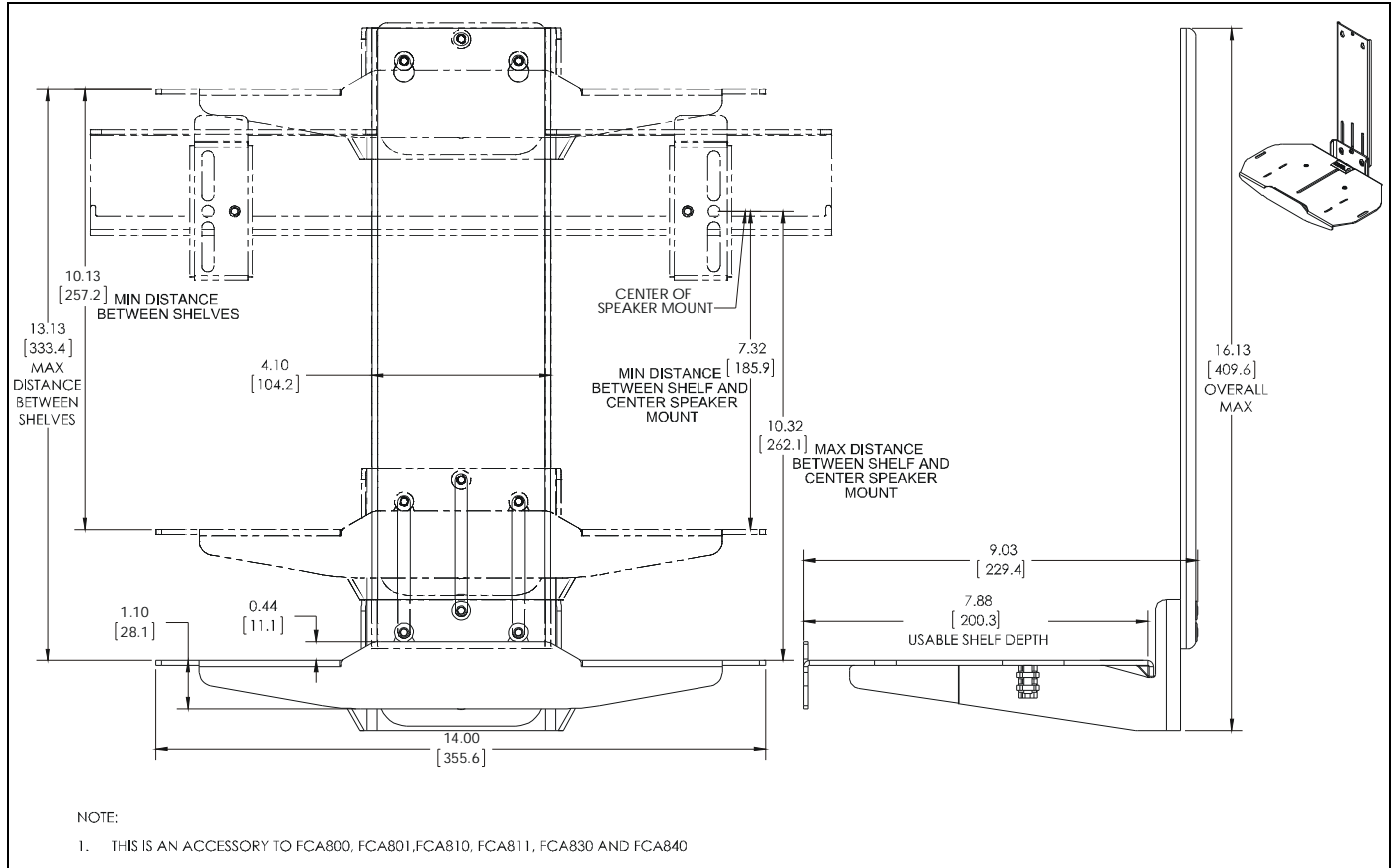
WARNING: Never operate this accessory if it is damaged. Return the accessory to a service center for examination and repair.

WARNING: Do not use this product outdoors.



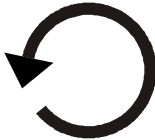


WARNING: RISK OF INJURY TO PERSONS! Do not use this accessory to support video equipment such as televisions or computer monitors.

--SAVE THESE INSTRUCTIONS--

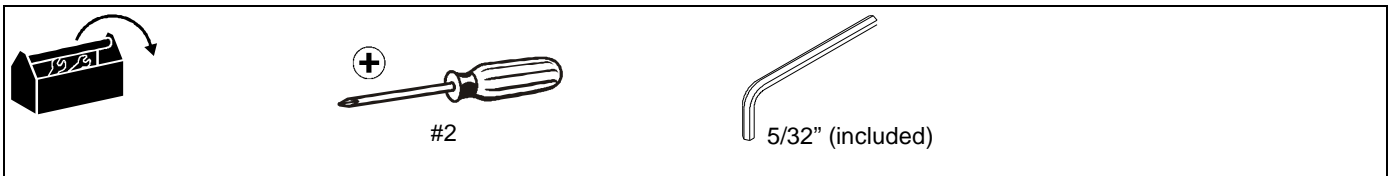
DIMENSIONS



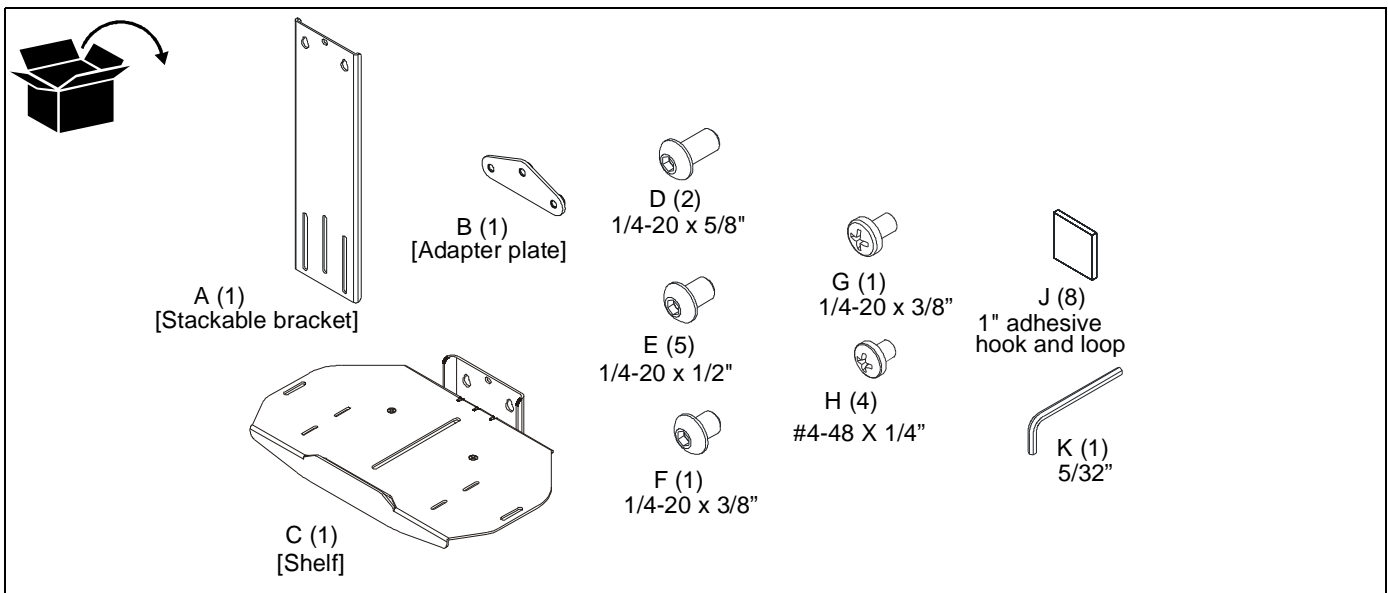
LEGEND

	Tighten Fastener		Phillips Screwdriver
	Apretar elemento de fijación		Destornillador Phillips
	Befestigungsteil festziehen		Kreuzschlitzschraubendreher
	Apertar fixador		Chave de fendas Phillips
	Serrare il fissaggio		Cacciavite a stella
	Bevestiging vastdraaien		Kruiskopschroevendraaier
Serrez les fixations	Tournevis à pointe cruciforme		
	Loosen Fastener		Open-Ended Wrench
	Aflojar elemento de fijación		Llave de boca
	Befestigungsteil lösen		Gabelschlüssel
	Desapertar fixador		Chave de bocas
	Allentare il fissaggio		Chiave a punta aperte
	Bevestiging losdraaien		Steeksleutel
Desserrez les fixations	Clé à fourche		
	Hex-Head Wrench		
	Llave de cabeza hexagonal		
	Sechskantschlüssel		
	Chave de cabeça sextavada		
	Chiave esagonale		
	Zeskantsleutel		
Clé à tête hexagonale			

TOOLS REQUIRED FOR INSTALLATION



PARTS



ASSEMBLY AND INSTALLATION

NOTE: FCA870 shelves may be installed only below existing shelves or brackets. Do NOT attempt to install it above existing shelves or brackets.

Assembling Shelf

1. Loosely install two 1/4-20 x 1/2" button head cap screws (E) through outside slots of stackable bracket (A) and into outside holes of adapter plate (B). (See Figure 1)
2. Hang shelf (C) onto two screws installed in Step 1. (See Figure 1)
3. Use one 1/4-20 x 1/2" button head cap screw (E) to secure stackable bracket (A) to shelf (C). (See Figure 1)
4. Tighten all three screws (E) to ensure shelf (C) is securely attached to stackable bracket (A).

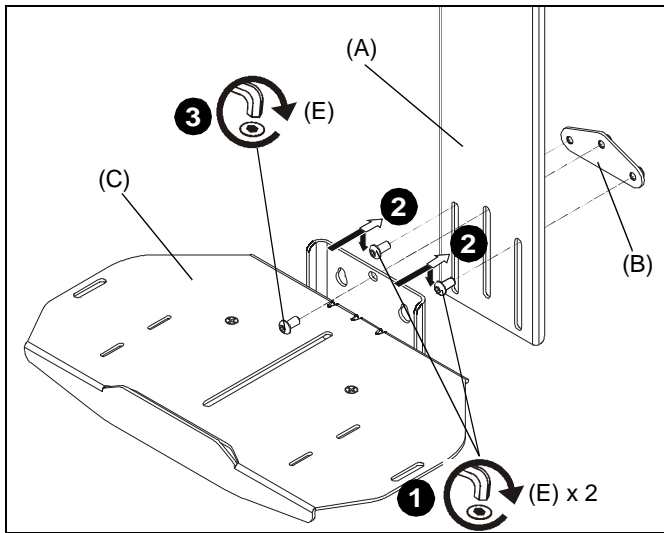


Figure 1

Attaching FCA870 Shelf to Existing Shelf (FCA800/801/802/810/811/812)

NOTE: If installing to speaker bracket (FCA830/840), refer to Attaching FCA870 to Speaker Bracket Section.

1. If already assembled, disassemble shelf from upright bracket. (See Figure 2)

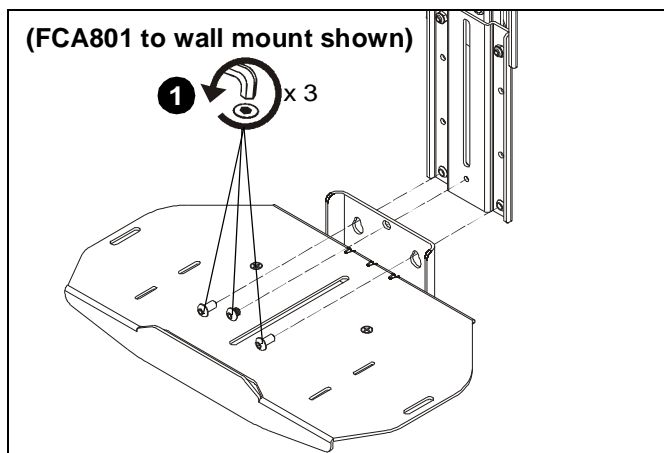


Figure 2

2. Loosely install two 1/4-20 x 5/8" button head cap screws (D) into outside holes of upright bracket if installing to wall mount. Loosely install two 1/4-20 x 1/2" button head cap screws (E) into outside holes of upright bracket if installing to cart/ceiling mount. (See Figure 3) or (See Figure 4)
3. Hang assembled FCA870 shelf onto two screws installed in Step 2. (See Figure 3) or (See Figure 4)
4. Hang shelf removed in Step 1 onto two screws installed in Step 2. (See Figure 3) or (See Figure 4)
5. Use 1/4-20 x 3/8" button head cap screw (F) to secure shelves to upright bracket if installing to wall mount. Use 1/4-20 x 5/8" button head cap screw (D) to secure shelves to upright bracket if installing to cart/ceiling mount. (See Figure 3) or (See Figure 4)
6. Tighten all three screws to ensure shelf is assembled securely.

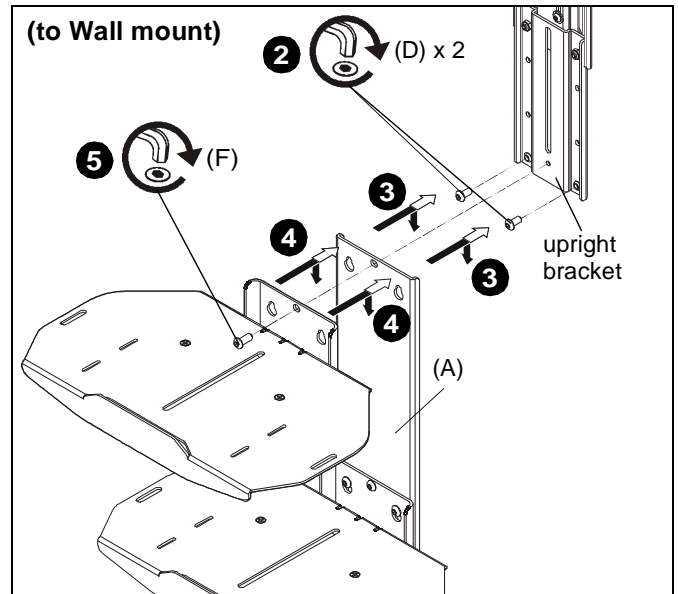


Figure 3

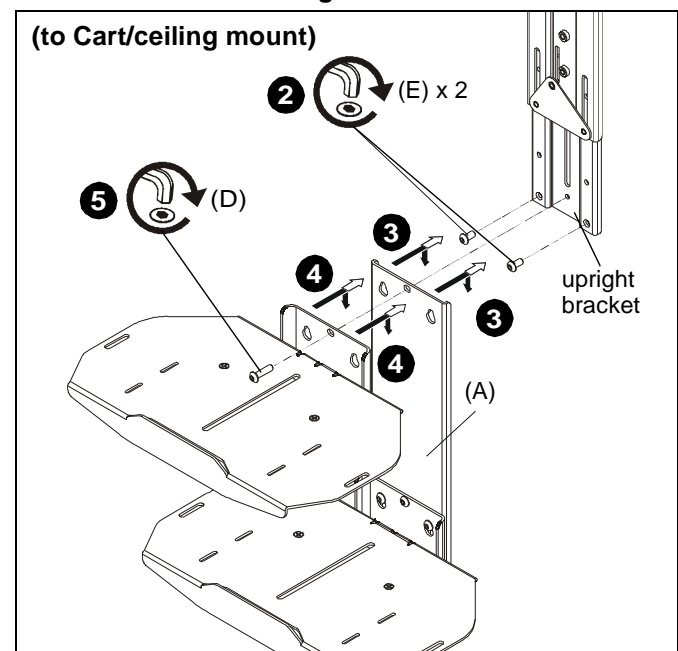


Figure 4

Attaching FCA870 to Speaker Bracket (FCA830/840)

1. If already assembled, disassemble speaker bracket from upright bracket. (See Figure 5)

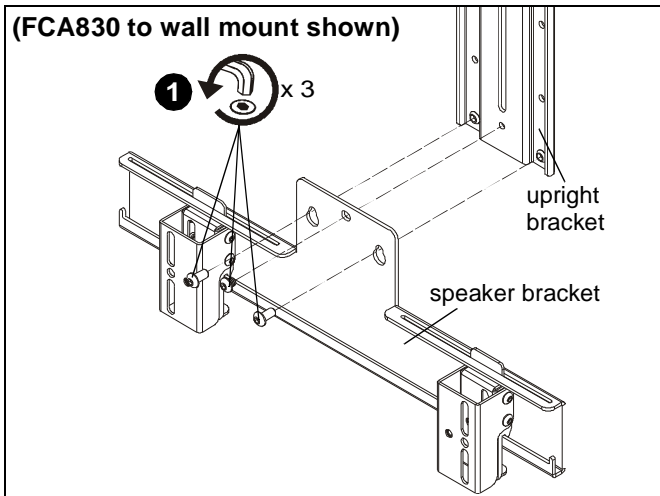


Figure 5

2. Loosely install two 1/4-20 x 5/8" button head cap screws (D) into outside holes of upright bracket if installing to wall mount. Loosely install two 1/4-20 x 1/2" button head cap screws (E) into outside holes of upright bracket if installing to cart/ceiling mount. (See Figure) or (See Figure 7)
3. Hang assembled FCA870 shelf onto two screws installed in Step 2. (See Figure) or (See Figure 7)
4. Hang speaker bracket removed in Step 1 onto two screws installed in Step 2. (See Figure) or (See Figure 7)
5. Use 1/4-20 x 3/8" button head cap screw (F) to secure bracket and shelf to upright bracket if installing to wall mount. Use 1/4-20 x 5/8" button head cap screw (D) to secure bracket and shelf to upright bracket if installing to cart/ceiling mount. (See Figure) or (See Figure 7)
6. Tighten all three screws to ensure shelf is assembled securely.

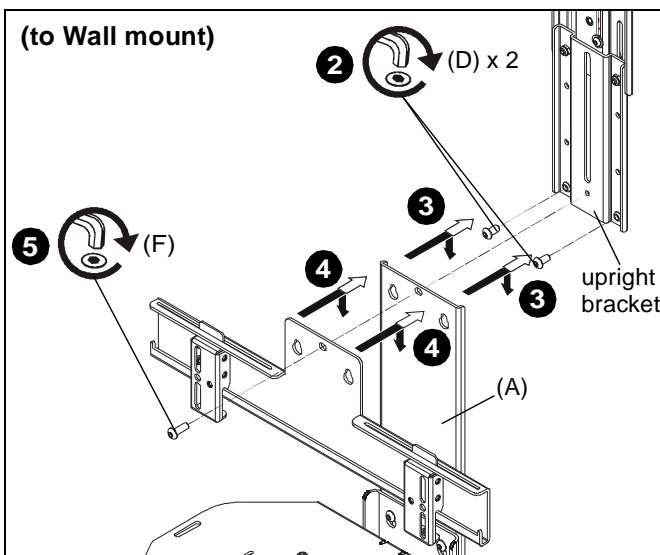


Figure 6

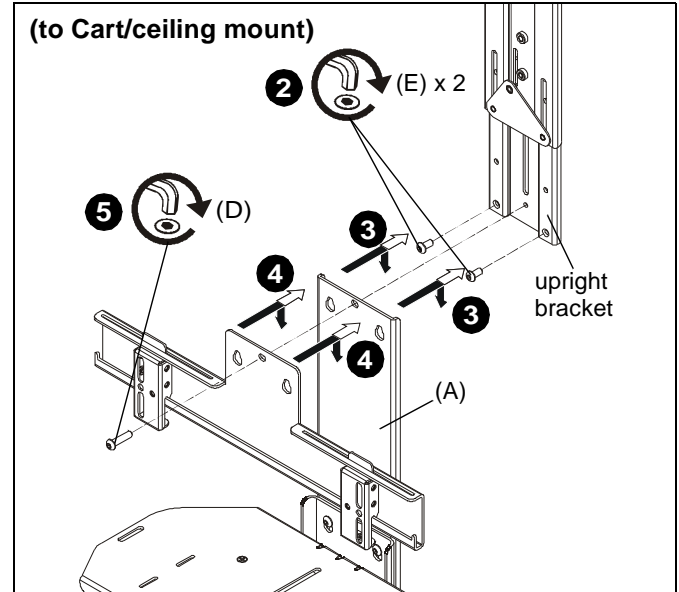


Figure 7

Height Adjustment

1. Loosen hardware used to attach shelf (C) to stackable bracket (A). (See Figure 8)
2. Adjust shelf height as desired. (See Figure 8)
3. Tighten hardware used to attach shelf (C) to stackable bracket (A). (See Figure 8)

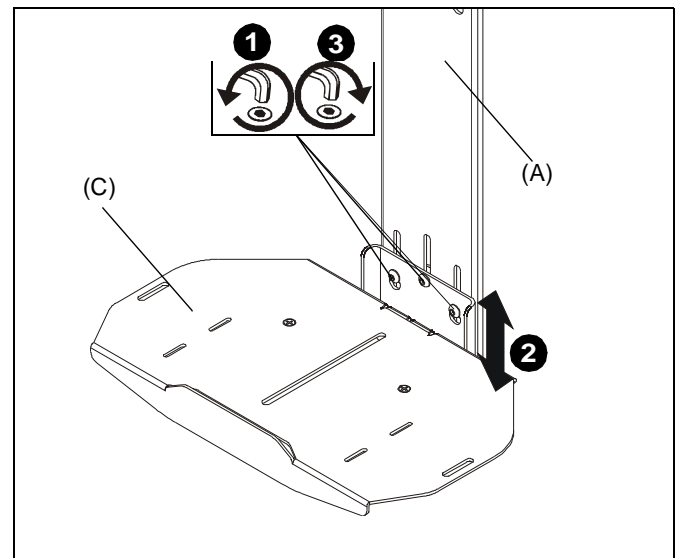


Figure 8

Installing Camera (not included)



WARNING: Exceeding the weight capacity can result in serious personal injury or damage to equipment! It is the installer's responsibility to make sure the weight mounted on the FCA870 shelf does not exceed 10 lbs (4.5 kg).



WARNING: Use of this accessory will decrease the weight capacity of the mounting system to which it is attached by the combined weight of the accessory and all components supported by this accessory!



WARNING: Use of this accessory will NOT decrease the weight capacity of the shelf or bracket accessory to which this accessory is attached. (See Figure 9)

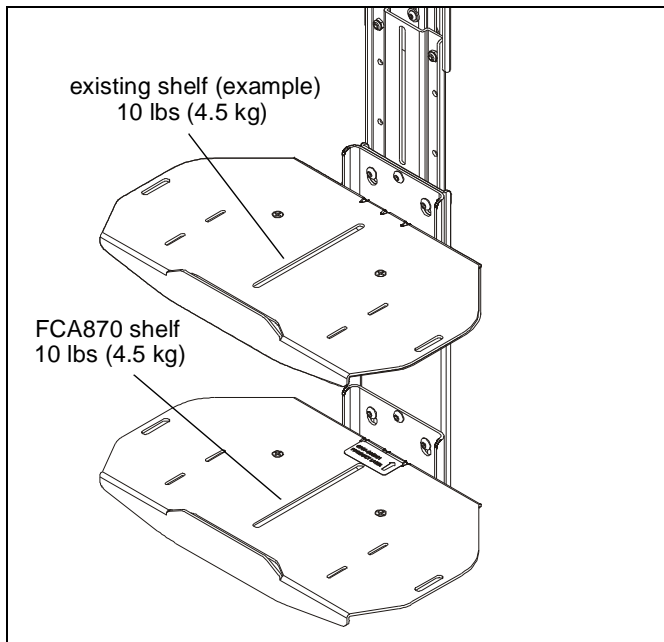


Figure 9



WARNING: Camera must be secured to FCA870 shelf using either adhesive hook and loop squares (J) or screws (G or H)! Failure to securely mount camera to shelf may result in serious personal injury or damage to equipment!

NOTE: OPTIONAL: Slots are provided in shelf for strap (not included) to hold camera in place. (See Figure 10)

Using Adhesive Squares

1. Use up to eight adhesive hook and loop squares (J) to secure camera to shelf. Attach adhesive squares to bottom of camera first and then attach corresponding squares to shelf when the exact mounting location has been determined. (See Figure 10)

Using Screw(s)

NOTE: Screw mounting options will vary based upon camera model.

2. (Single Screw option) Install 1/4-20 x 3/8" Phillips pan machine screw (G) through mounting slot on shelf and into hole on bottom of camera. (See Figure 10)
3. (Multiple screw option) Install four #4-48 x 1/4" Phillips pan machine screws (H) through outside mounting slots and into holes on bottom of camera. (See Figure 11)
4. Route cable from camera towards back of shelf and up behind the FCA870. (See Figure 10) and (See Figure 11)

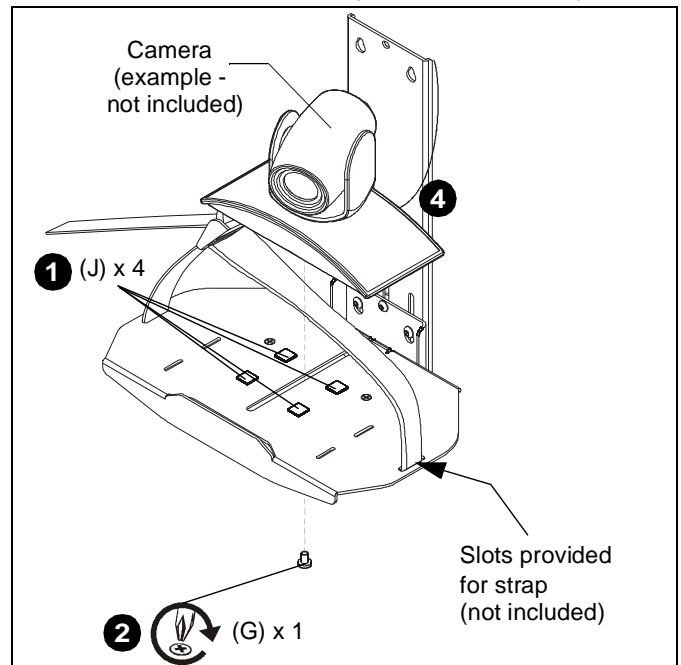


Figure 10

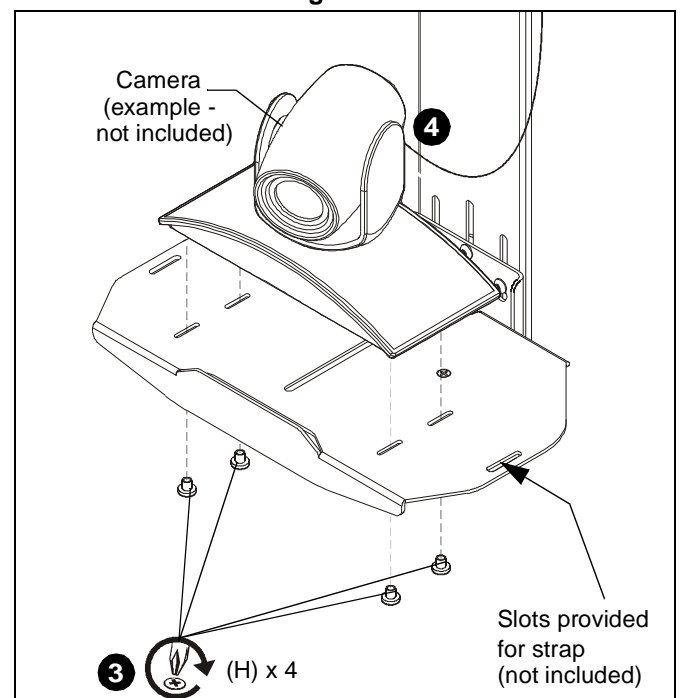


Figure 11



Our Mounts. **Your Vision.**

Chief, a products division of
Milestone AV Technologies

8800-002669 Rev01
©2016 Milestone AV Technologies
www.milestone.com
06/16

USA/International	A 6436 City West Parkway, Eden Prairie, MN 55344 P 800.582.6480 / 952.225.6000 F 877.894.6918 / 952.894.6918
Europe	A Franklinstraat 14, 6003 DK Weert, Netherlands P +31 (0) 495 580 852 F +31 (0) 495 580 845
Asia Pacific	A Office No. 918 on 9/F, Shatin Galleria 18-24 Shan Mei Street Fotan, Shatin, Hong Kong P 852 2145 4099 F 852 2145 4477

