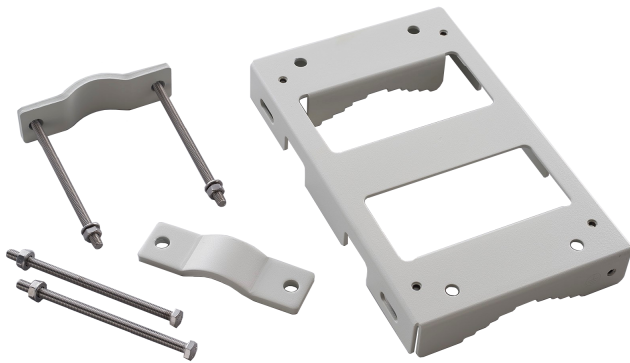


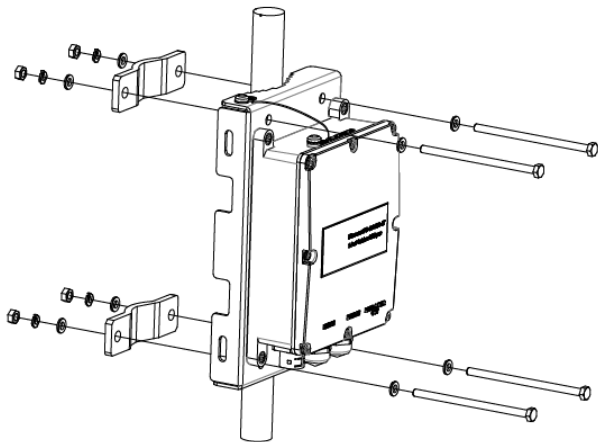
NDA-6090-PMA Pole mount for midspan, bt, outdoor

PoE Midspan



The pole mount is designed for installation with outdoor PoE Midspans NPD-6001C-E / NPD-6001C-EBT and NPD-9001-E / NPD-9001-EBT. The pole mount can be used for wall mount installations and for small and large poles (up to 203.2 mm / 8 in. diameter) installations.

Installation/configuration notes



Parts included

Quantity	Component
1	Midspan outdoor pole mount
2	Worm clamp
2	Omega
6	M5/16 Flat screw

- ▶ Wall mount and pole mount installations of PoE Midspans NPD-6001C-E / NPD-6001C-EBT and NPD-9001-E / NPD-9001-EBT
- ▶ For outdoor installations
- ▶ Robust installation
- ▶ Plug-and-play installation

Quantity	Component
2	M5 Lock tooth washer
2	M5 Flat washer
4	M6/110 Hex screw
8	M6 Flat washer
4	M6 Spring washer
4	M6 Nut

Technical specifications

Environmental

Usage	Outdoor
-------	---------

Construction

Pole mount (mm)	25.4 mm - 203.2 mm
Pole mount (in.)	1 in. - 8 in.
Weight (kg)	1.60 kg
Weight (lb)	3.53 lb

Ordering information

NDA-6090-PMA Pole mount for midspan, bt, outdoor

Pole mount for outdoor PoE midspans NPD-6001C-E /
NPD-6001C-EBT and NPD-9001-E / NPD-9001-EBT

Order number **NDA-6090-PMA**

Represented by:

Europe, Middle East, Africa:

Bosch Security Systems B.V.
P.O. Box 80002
5600 JB Eindhoven, The Netherlands
www.boschsecurity.com/xc/en/contact/
www.boschsecurity.com

Germany:

Bosch Sicherheitssysteme GmbH
Robert-Bosch-Platz 1
D-70839 Gerlingen
www.boschsecurity.com

North America:

Bosch Security Systems, LLC
130 Perinton Parkway
Fairport, New York, 14450, USA
www.boschsecurity.com

Asia-Pacific:

Robert Bosch (SEA) Pte Ltd, Security Systems
11 Bishan Street 21
Singapore 573943
www.boschsecurity.com/xc/en/contact/
www.boschsecurity.com