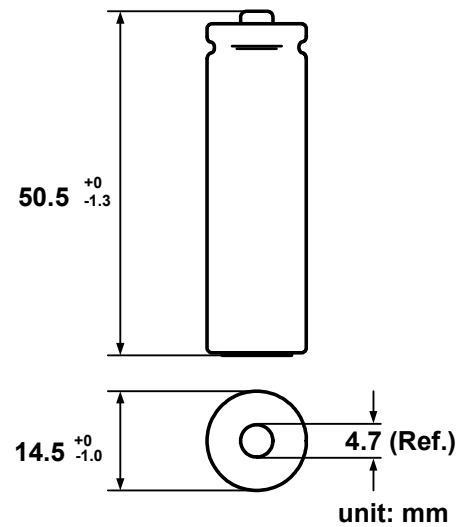


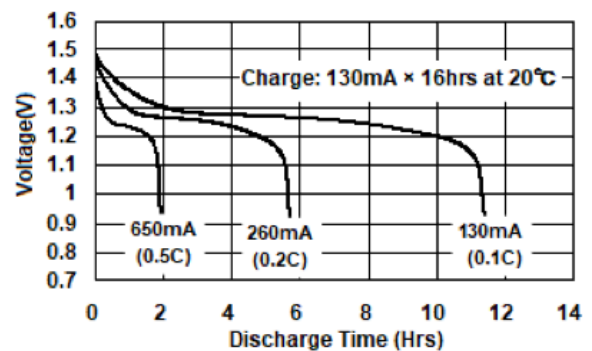
DATA SHEET

Model No.: GP130AAHC

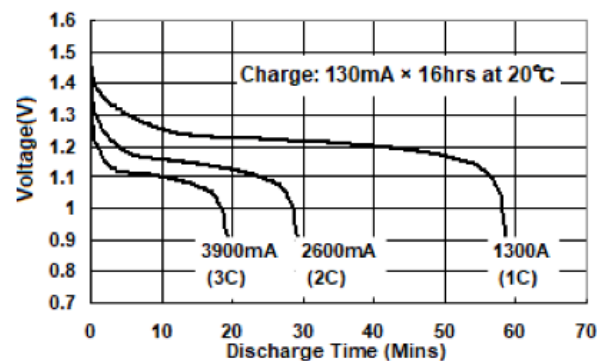
Type	Rechargeable Nickel Metal Hydride Cylindrical Cell
Nominal Dimension (with Sleeve)	Diameter = 14.5mm Height = 50.5mm
Applications	Recommended discharge current 130 to 3900mA
Nominal Voltage	1.2V
Capacity	Rated: 1300mAh Typical: 1400mAh When discharged at 260mA to 1.0V at 20°C
Charging Condition	130mA for 16 hrs at 20°C
Charge Retention	80% of nominal capacity after cell storage at 20°C for 12 months, When discharged at 260mA to 1.0V at 20°C
Fast Charge	650mA to 1300mA (0.5 to 1C) charge termination control recommended control parameters: -ΔV : 0-5mV DT/dt : 0.8°C/min (0.5 to 0.9C) 0.8 - 1°C/min (1C) TCO : 45 - 50°C Timer : 105% nominal input (for ref. only)
Service Life	>500 cycles (IEC61951-2(2017)-7.5.1.2) >200 cycles (IEC61951-2(2017)-7.5.1.4)
Continuous Overcharge	130mA maximum current for 1 year. No conspicuous deformation and/or leakage
Weight	25.0g
Internal Resistance	Average 25mΩ upon fully charged (Max. 35 mΩ) at 1000Hz
Max. Charge Voltage	1.5V at 130mA charging
Ambient Temperature Range	Standard Charge: 0 to 45°C Fast Charge: 10 to 45°C Discharge: -20 to 50°C Storage: -20 to 35°C Storage(1week): -20 to 60°C



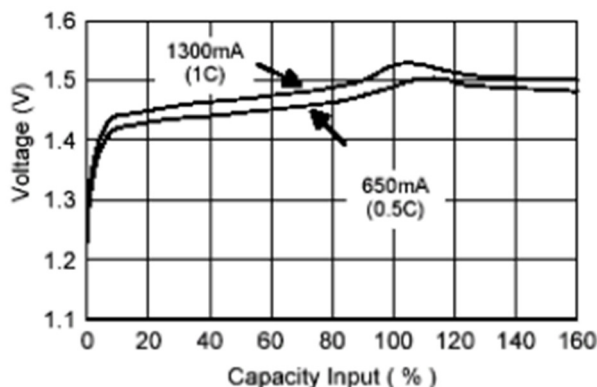
Low Rate Discharge



High Rate Discharge



Fast Charge (Charge Control Required)



The above information is generally descriptive only and is not intended as guarantee or warranty. Cell and battery specifications are subject to change without notice. All descriptions or warranties are contained solely in specification sheets accompanying outside those described in this document.

MRS6154 rev.06