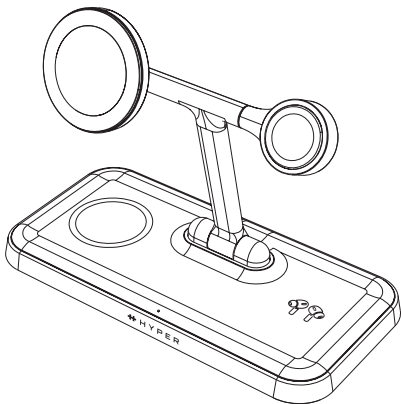




HYPERJUICE[®] NEXT

Qi2 4-in-1 Magnetic Charging Stand



USER GUIDE

Product Name: Wireless Charger

Model: HJ3004

Table of Contents

Copyright	1
Trademarks	1
Regulatory Compliance	2
FCC Conditions	2
CE	2
WEEE Information	3
Introduction	4
Package Contents	4
Product Compatibility	4
Product Overview	5
Operational Instructions	6
Specifications	7
Warranty	9
Safety Instructions	11
Technical Support	11

Before attempting to connect, operate or adjust this product, please save and read the User Guide completely. The style of the product shown in this User Guide may be different from the actual unit due to various models.

Copyright

This document contains proprietary information protected by copyright. All rights are reserved. No part of this guide may be reproduced by any mechanical, electronic or other means, in any form, without prior written permission of the manufacturer.

Trademarks

Hyper, the ++Hyper logo, and HyperJuice, are trademarks or registered trademarks of Targus International LLC in the U.S. and in certain other countries. iPhone, Apple Watch and AirPods is a trademark of Apple Inc., registered in the U.S. and other countries.

Regulatory Compliance

Radiation Exposure Statement:

This product complies with CE/UK radiation exposure limits set forth for an uncontrolled environment. This equipment should be installed and operated with a minimum distance of 20cm between the radiator and your body.

FCC Conditions

This device complies with part 15 of the FCC Rules. Operation is subject to the following two conditions:

- (1) This device may not cause harmful interference, and
- (2) this device must accept any interference received, including interference that may cause undesired operation.

Caution:

Any changes or modifications not expressly approved by the party responsible for compliance could void the user's authority to operate this equipment.

Note:

This equipment has been tested and found to comply with the limits for a Class B digital device, pursuant to part 15 of the FCC Rules. These limits are designed to provide reasonable protection against harmful interference in a residential installation. This equipment generates, uses and can radiate radio frequency energy and, if not installed and used in accordance with the instructions, may cause harmful interference to radio communications. However, there is no guarantee that interference will not occur in a particular installation. If this equipment does cause harmful interference to radio or television reception, which can be determined by turning the equipment off and on, the user is encouraged to try to correct the interference by one or more of the following measures:

- Reorient or relocate the receiving antenna.
- Increase the separation between the equipment and receiver.
- Connect the equipment into an outlet on a circuit different from that to which the receiver is connected.
- Consult the dealer or an experienced radio/TV technician for help.

Radiation Exposure Statement:

This equipment complies with FCC radiation exposure limits set forth for an uncontrolled environment. This equipment should be installed and operated with a minimum distance of 20 cm between the radiator and your body.

IC

This device contains licence-exempt transmitter(s)/receiver(s) that comply with Innovation, Science and Economic Development Canada's licence-exempt RSS(s).

Operation is subject to the following two conditions:

- (1) This device may not cause interference.
- (2) This device must accept any interference, including interference that may cause undesired operation of the device.

L'émetteur/récepteur exempt de licence contenu dans le présent appareil est conforme aux CNR d'Innovation, Sciences et Développement économique Canada applicables aux appareils radio exempts de licence. L'exploitation est autorisée aux deux conditions suivantes:

- 1) L'appareil ne doit pas produire de brouillage;
- 2) L'appareil doit accepter tout brouillage radioélectrique subi, même si le brouillage est susceptible d'en compromettre le fonctionnement.

Radiation Exposure Statement:

This equipment complies with ISED radiation exposure limits set forth for an uncontrolled environment. This equipment should be installed and operated with a minimum distance of 20 cm between the radiator and your body.

Déclaration d'exposition aux radiations :

Cet équipement est conforme aux limites d'exposition aux rayonnements IC établies pour un environnement non contrôlé.

Cet équipement doit être installé et utilisé avec un minimum de 20 cm de distance entre la source de rayonnement et votre corps.

WEEE Information

For EU (European Union) member users: According to the WEEE (Waste electrical and electronic equipment) Directive, do not dispose of this product as household waste or commercial waste. Waste electrical and electronic equipment should be appropriately collected and recycled as required by practices established for your country. For information on recycling of this product, waste disposal service or the shop where you purchased the product.

Model: DCT48W150300ZZ-D0

(Trade Mark: No trade mark)

安全注意事項

1. この注意事項をよくお読みください。
2. この注意事項はいつでも参照できるように保管しておいてください。
3. 本製品をクリーニングする時はコンセントから抜いてください。液体又はスプレークリーナーは使用せず、乾いた布をご使用ください。
4. 本製品を湿気のある所に置かないでください。
5. コードは引っかかるないように床に設置してください。コードの上に物を置かないでください。
6. 電圧オーバーによるダメージを避けるため、長時間使用しない場合、コンセントから抜いて下さい。
7. 本製品はコンセントの近くでご使用ください。
8. コンセントは機器の近くに取り付け、アクセスが容易でなければなりません
9. 次のような問題が発生した場合、電源から外し、サービスマンに連絡して下さい。
 - a. コードや差込みが壊れた場合
 - b. 液体が装置の中に入ってしまった場合
 - c. 湿った環境に置かれた場合
 - d. 操作指示のように正確に作動しない、又は使用説明書を参考にしても改善できない場合
 - e. 床に落とされた場合や器体が壊れた場合
 - f. 器体に明らかな欠損がある場合
10. この変圧器の外外部可とうケーブル又はコードは取替えられない。コードが破損した場合変圧器は廃棄すべきである。
11. 本製品の使用環境温度は 45℃以下です
12. この製品はクラスII 機器です。13.本製品はオーディオ、ビデオ、情報及び通信技術機に使用してください。



Introduction

The HyperJuice Next Qi2 4-in-1 Magnetic Charging Stand is able to charge your iPhone, Apple Watch, and AirPods with the latest Qi2 15W technology. Compact for portability and efficiently designed for home, or office use.

The charging stand also contains 100% recycled zinc and 30% recycled plastics.

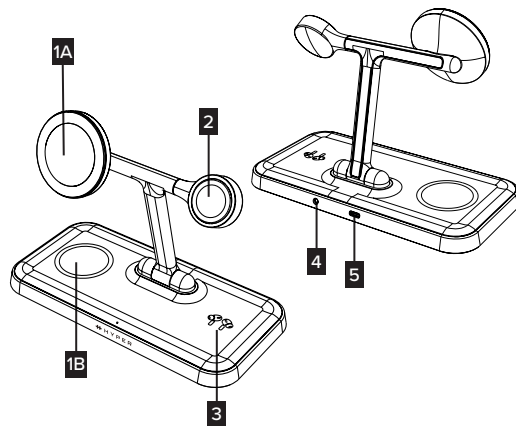
Package Contents

- Qi2 4in1 Magnetic Charging Stand
- 45W DC Power Adaptor
- US, EU, UK & AU Plug
- User Guide

Product Compatibility

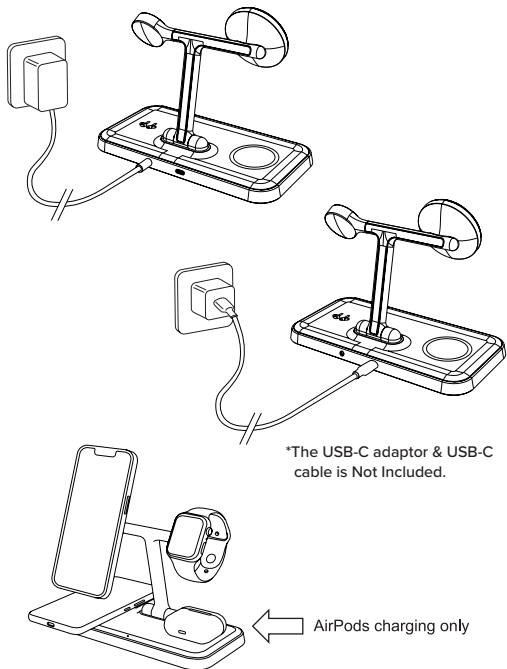
- iPhone 12 and Later
- Apple Watch
- Apple AirPods
- Android Devices

Product Overview



Item	Description
1. A. Qi2 iPhone charger B. Qi Phone charger	Charge iPhone
2. Apple Watch charger	Charge Apple Watch
3. AirPods charger	Charge AirPods
4. DC Port Input	Connects to DC adapter
5. USB-C Port Input	Connect to USB-C power adapter

Operation Instructions



Specifications

Manufacturer	Gopod Group Limited	
Address	6/F., 235 Wing Lok Trade Centre, Sheung Wan, Hong Kong, China	
Commercial Registration Number	52717881-000-08-24-8	
Model / Reg	HJ3004	
Interface: Input	Input 1: USB-C Port Input: 5V/9V/12V/15V@3A (QC2.0/3.0) Input 2: DC Port Input: 12V/15V@3A	
Interface: Output	Output 1: (iPhone / Android Phone) Qi 5V \approx 5W, 7.5V \approx 7.5W, 9V \approx 10W Output 2: (iPhone / Android Phone) Qi2 5V \approx 5W, 7.5V \approx 7.5W, 12V \approx 15W Output 3: (Apple Watch) Output 4: (AirPods)	
Frequency & Max. RF Power	Frequency band in which the radio equipment operates: 110-205KHz, 127.7KHz, 326.5KHz, 360KHz, 1.778MHz Maximum power transmitted: <18.76 dB μ A/m@10m	
Dimension & Weight	Length:	202mm / 7.95inches
	Width:	202mm / 3.94inches
	Height:	Adjustable
	Weight:	630g / 1.39lb

Manufacturer's name or trade mark, commercial registration number and address for Adapter	Zhuzhou Dachuan Electronic Technology Co., Ltd. Building A5, Nanzhou Industrial Park, Zhuzhou, 412101 Hunan P.R. China
Model	DCT48W150300ZZ-D0
Input voltage	100 - 240V~
Input AC frequency	50 / 60Hz 1.3A max.
Output voltage	15.0V DC
Output current	3.0A
Output power	45.0W
Average active efficiency	91.54%
Min. active energy efficiency of 10% load	86.45%
No-load power consumption	0.07W
*Only test for nameplate output power (Po) greater than 10W. Above information have free access websites www.dachuan-tech.com of manufacturers, importers or authorized representatives	

2 YEAR LIMITED WARRANTY

PORTUGAL AND SPAIN CUSTOMERS:

3 YEARS LIMITED WARRANTY

OR AS REQUIRED BY LOCAL LAWS.

We pride ourselves on the quality of our products. For complete warranty details and a list of our Worldwide offices, please visit www.HyperShop.com. Hyper product warranty does not cover any device or product that is not manufactured by Hyper (including, but not limited to, laptops, smartphones, devices, or any other product that may be used in connection with the Hyper product). Hyper Limited Warranty provided is subject to any rights and remedies the purchaser may have under local laws. Australian customers: For complete warranty details, see warranty statement enclosed.

GARANTIE LIMITÉE DE 2 ANS

CLIENTS DU PORTUGAL ET DE L'ESPAGNE :

GARANTIE LIMITÉE DE 3 ANS

OU SELON LES LOIS LOCALES.

Nous sommes fiers de la qualité de nos produits. Pour obtenir les détails complets de la garantie et la liste de nos bureaux dans le monde, veuillez consulter le site www.HyperShop.com. La garantie des produits Hyper ne couvre aucun appareil ou produit qui n'est pas fabriqué par Hyper (y compris, mais sans s'y limiter, les ordinateurs portables, les smartphones, les appareils ou tout autre produit pouvant être utilisé en relation avec le produit Hyper). La garantie limitée Hyper fournie est soumise à tous les droits et recours dont l'acheteur peut disposer en vertu des lois locales. Clients australiens : Pour les détails complets de la garantie, voir la déclaration de garantie jointe.

2 AÑOS DE GARANTÍA LIMITADA

CLIENTES DE PORTUGAL Y ESPAÑA:

3 AÑOS DE GARANTÍA LIMITADA

O LA ESTIPULADA POR LA LEGISLACIÓN LOCAL.

Estamos orgullosos de la calidad de nuestros productos. Para obtener información acerca de la garantía completa y consultar nuestra lista de oficinas en todo el mundo, visite www.HyperShop.com. La garantía del producto de Hyper no cubre ningún dispositivo o producto que no haya sido fabricado por Hyper (incluyendo, entre otros, ordenadores portátiles, smartphones, dispositivos o cualquier otro producto que pueda utilizarse con el producto de Hyper). La Garantía Limitada de Hyper proporcionada está sujeta a cualquier derecho y recurso que el comprador pueda tener según la legislación local. Clientes australianos: Para obtener información acerca de la garantía completa, consulte la declaración de garantía adjunta.

AUSTRALIAN AND NEW ZEALAND CONSUMERS ONLY

Thank you for your purchase. Hyper warrants to the original purchaser that its products are free from defects in materials and workmanship and, during the specified warranty period, and lasts as long as the original purchaser owns the product. The warranty period is stated on the packaging or in the documentation provided with this Hyper product. Hyper's Limited Product Warranty excludes damage caused by accident, neglect, abuse, misuse, improper care, normal wear and tear, ownership transfer, or alteration. The limited warranty also excludes any product that is not manufactured by Hyper (including, without limitation, laptops, smartphones, devices, tablets, or any other non-Hyper item) that is used in connection with the Hyper product. In the event that the Hyper product has a defect in materials or workmanship Hyper will, after receiving a warranty claim and inspecting the product, at its discretion, do one of the following: repair, replace, or refund with the same or a similar product (or part) of no lesser quality and ship it to the original purchaser at Hyper's expense. As part of this inspection, proof of purchase will be required. There is no charge for inspection. To make a warranty claim, please contact Hyper Australia or New Zealand (see details below), or return the product to the place of purchase. The original purchaser must bear the cost of the delivery to Hyper. Under Australian and/or New Zealand Consumer Laws, in addition to any warranty Hyper gives, our products come with guarantees that cannot be excluded. You are entitled to a replacement or refund for a major failure and compensation for any other reasonably foreseeable loss or damage. You are entitled to have the products repaired or replaced if they fail to be of acceptable quality and the failure does not amount to a major failure.

For any warranty question, contact Targus Australia Pty. Ltd. (i) by mail at Suite 2, Level 8, 5 Rider Boulevard, Rhodes NSW 2138, by phone AUS 1800 641 645 or NZ 0800 633 222 or by Email: infoaust@targus.com. For additional information, check out our website at targus.com/au/warranty.

Safety Instructions

- Do not expose to moisture or submerge in liquid.
- Store in a cool, dry place. Recommended storage temperature: -10°C/14°F to 70°C/158°F; Operating temperature: 0°C/32°F to 25°C/77°F.
- Do not disassemble or attempt to re-purpose or modify the product in any manner.
- Stop using and contact manufacturer if the product is excessively hot, emitting odor, deformed or if you witness any other abnormalities.
- Avoid strenuous vibration, impact, extrusion on transportation, and keep the product away from intense sunlight and rain.
- Please dispose of discarded products properly according to local regulations.
- Do not clean with harmful chemicals or detergents.
- Keep away from children for safety.
- Be cautious of drops, bumps, abrasions, or impact.
-

TECHNICAL SUPPORT

For technical questions, please visit:

Hyper Customer Support Email: support@hypershops.com

Hyper Customer Support Phone:

1-888-202-1888 (USA); +1-408-737-7878 (non-USA)

US Internet: <http://targus.com/us/support>

Canada Internet: <http://www.targus.com/ca/support>

Australia Internet: <http://www.targus.com/au/support>

Email: infoaust@targus.com

Telephone: 1-800-641-645

New Zealand Telephone: 0800-633-222

Latin America Email: latam.soporte@targus.com



Declaration of Conformity

Manufacturer: Gopod Group Limited
 Address: 6/F., 235 Wing Lok Trade Centre, Sheung Wan, Hong Kong, China
 Importer: Targus Europe Ltd. Tel: +44 (0)20 8831 2000
 Address: Targus EMEA Account Management, Van Hilststraat 19, 5145 RK Waalwijk, Netherlands

We herewith confirm the following designated product Wireless Charger, with Power/ Adaptor, DCT48W150300ZZ-D0, Model No. HJ3004, Brand name "HYPER", complies with the RED 2014/53/EU, ErP Directive 2009/125/EC, EU RoHS Directive 2011/65/EU and its amendment Directive (EU) 2015/863.

For the evaluation regarding the above Directives, the following standards were applied:

Radio Equipment Directive 2014/53/EU:

- EN 301 489-1 V2.2.3
- EN 301 489-3 V2.3.2
- EN 55032:2015+A11:2020
- EN 55035:2017+A11:2020
- EN IEC 62311:2020
- EN 303 417 V1.1.1
- EN 300 330 V2.1.1
- EN 62368-1:2014+A11:2017

ErP Directive: COMMISSION REGULATION (EU) 2019/1782

EU RoHS Directive: 2011/65/EU and its amendment Directive (EU) 2015/863.

EN IEC 63000:2018

EU

The conformity assessment procedure as referenced in Article 17 and detailed in Annex III of the Radio Equipment Directive has been followed with the involvement of a notified body:

Notified Body: TÜV Rheinland LGA Products GmbH

Notified Body: 0197

Certificate No.: RT 60177721 0001

This declaration of conformity is issued under the sole responsibility of the manufacturer.

Year to begin CE marking: 2024

Head of Product - Hyper
 Function Title

Yu-Wen Chen
 Name

9/16/2024 Fremont CA USA
 Date Place of Issue

Signed for and on behalf of Hyper



Declaration of Conformity

Manufacturer: Gopod Group Limited
 Address: 6/F., 235 Wing Lok Trade Centre, Sheung Wan, Hong Kong, China
 Importer: Targus Europe Ltd. Tel: +44 (0)20 8831 2000
 Address: Fourth Floor One London Road, Staines, TW18 4EX, UK

We herewith confirm the following designated product Wireless Charger, with Power/ Adaptor, DCT48W150300ZZ-D0, Model No. HJ3004, Brand name "HYPER", complies with below UK legislation and relevant standards.

For the evaluation regarding the above Regulations, the following standards were applied:

Radio Equipment Regulations 2017

- EN 301 489-1 V2.2.3
- EN 301 489-3 V2.3.2
- EN 55032:2015+A11:2020
- EN 55035:2017+A11:2020
- EN IEC 62311:2020
- EN 303 417 V1.1.1
- EN 300 330 V2.1.1
- EN 62368-1:2014+A11:2017

The Eco-design for Energy-Related Products and Energy Information (Amendment) (EU Exit) Regulations 2019

EN 50563:2011/A1:2013

The Restriction of the Use of Certain Hazardous Substances in Electrical and Electronic Equipment Regulations 2012

EN IEC 63000:2018

UKCA

The conformity assessment procedure under the provisions of Regulation 41 and Schedule 3 of the Radio Equipment Regulations 2017(SI 2017/1206) has been followed with the involvement of the following Approved Body.

Approved Body: TÜV Rheinland UK Ltd.

Body No.: 2571

Certificate No.: A9 50640979 0001

This declaration of conformity is issued under the sole responsibility of the manufacturer.

Head of Product - Hyper
 Function Title

Yu-Wen Chen
 Name

9/16/2024 Fremont CA USA
 Date Place of Issue

Signed for and on behalf of Hyper

在嘗試連接、操作或調整本產品之前，請完整保存及閱讀使用說明。由於型號或有所不同，本使用說明中所示的產品樣式可能與實際裝置有所不同。

版權

本文件包含受版權保護的專有資訊。版權所有。未經製造商事先書面許可，不得以任何機械、電子或其他方式，以任何形式複製本說明的任何部分。

商標

Hyper+Hyper 標誌和 HyperDrive 為 Targus International LLC 在美國和其他特定國家的商標或註冊商標。Windows 為 Microsoft Corporation 在美國和/或其他國家的註冊商標或商標。Mac 和 macOS 為 Apple Inc. 在美國和其他國家註冊的商標。Chrome OS 和 Chromebook 為 Google LLC 的商標。

簡介

HyperJuice Next Qi2 無線充電器可透過最新的 Qi2 15W 技術為您的 iPhone、Apple Watch 和 AirPods 充電。輕巧易攜，專為在家中與辦公室使用。

HJ3004 無線充電器也採用 100% 再生鋅與 30% 的再生塑膠。

套裝內容

- Qi2 四合一磁吸式充電器
- 45W DC 變壓器
- 美國、歐盟、英國、澳洲轉接插頭
- 使用說明書

產品相容性

- iPhone 12 and Later
- Apple Watch
- Apple AirPods
- Android Devices

產品資訊

產品名稱: 無線充電器

型號: HJ3004

DC輸入: 15.0V \equiv 3.0A

USB-C輸入: 15.0V \equiv 3.0A

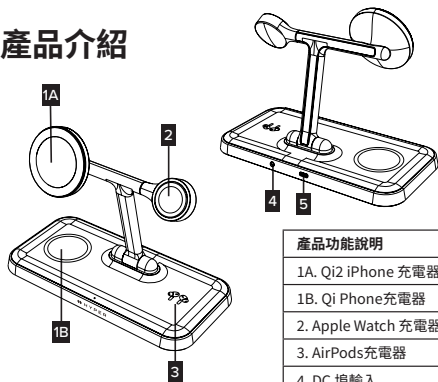
輸出1: 5V \equiv 5W, 7.5V \equiv 7.5W, 9V \equiv 10W

輸出2: 5V \equiv 5W, 7.5V \equiv 7.5W, 12V \equiv 15W

輸出3: for Apple Watch

輸出4: for AirPods/Pro

產品介紹



產品功能說明

- | |
|--------------------|
| 1A. Qi2 iPhone 充電器 |
| 1B. Qi iPhone 充電器 |
| 2. Apple Watch 充電器 |
| 3. AirPods 充電器 |
| 4. DC 埠輸入 |
| 5. USB-C 埠輸入 |

設備名稱: 無線充電器 Equipment name: Wireless Charger		型號 (型式) : HJ3004 Type designation (Type): HJ3004				
單元 Unit	限用物質及其化學符號 Restricted substances and its chemical symbols					
	鉛 Lead (Pb)	汞 Mercury (Hg)	鎘 Cadmium (Cd)	六價鉻 Hexavalent chromium (Cr+6)	多溴聯苯 Polybrominated biphenyls (PBB)	多溴二苯醚 Polybrominated diphenyl ethers (PBDE)
塑膠外殼	○	○	○	○	○	○
印刷電路板 (PCBA)	-	○	○	○	○	○
金屬件	○	○	○	○	○	○
線材	○	○	○	○	○	○

備考1: "超出0.1 wt %" 及 "超出0.01 wt %" 係指限用物質之百分比含量超出百分比含量基準值。
 Note 1: "Exceeding 0.1 wt %" and "exceeding 0.01 wt %" indicate that the percentage content of the restricted substance exceeds the reference percentage value of presence condition.
 備考2: "○" 係指該項限用物質之百分比含量未超出百分比含量基準值。
 Note 2: "○" indicates that the percentage content of the restricted substance does not exceed the percentage of reference value of presence.
 備考3: "-" 係指該項限用物質為排除項目。
 Note 3: The "-" indicates that the restricted substance corresponds to the exemption.

NCC 警告

- 取得審驗證明之低功率射頻器材,非經核准,公司、商號或使用者均不得擅自變更頻率、加大功率或變更原設計之特性及功能。
- 低功率射頻器材之使用不得影響飛航安全及干擾合法通信;經發現有干擾現象時,應立即停用,並改善至無干擾時方得繼續使用。前述合法通信,指依電信管理法規定作業之無線電通信。低功率射頻器材須忍受合法通信或工業、科學及醫療用電波輻射性電機設備之干擾。

2 年有限保固

我們為產品的品質感到自豪。有關完整的保養詳情和我們的全球辦事處資訊，請瀏覽 www.HyperShop.Com。Hyper 產品保養不包括任何非 Hyper 製造的設備或產品 (包括但不限於筆記型電腦、智能手機、設備或可能與 Hyper 產品相關的任何其他產品)。©2024 Hyper Products Inc 46721 Fremont Blvd, Fremont, CA 94538。版權所有。

安全警告

- 請勿暴露於潮濕環境或浸入液體中。
- 儲存於陰涼乾爽的位置。建議儲存溫度：攝氏-10度／華氏14度至攝氏70度／華氏158度；操作溫度：攝氏0度／華氏32度至攝氏35度／華氏95度。
- 請勿拆卸或嘗試以任何方式改變產品用途或修改產品。
- 如果產品過熱、發出異味、變形或發現任何其他異常，請停止使用，並聯絡製造商。
- 避免在運輸過程中劇烈振動、撞擊或擠壓產品，並將產品遠離強烈日曬和雨水。
- 請根據當地的規定，妥善處理廢棄產品。
- 請勿使用有害化學物質或清潔劑清潔產品。
- 為安全起見，請將產品遠離 3 歲以下的兒童。
- 請小心避免產品掉落、碰撞、磨損或受到撞擊。

技術支援

如有技術問題，請瀏覽：

Hyper 客戶支援電郵：
support@hypershop.com

美國：
<http://targus.com/us/support>

加拿大：
<http://www.targus.com/ca/support>

澳洲：
<http://www.targus.com/au/support>

電郵：
infoaust@targus.com

電話：
1-800-641-645

紐西蘭電話：
0800-633-222

拉丁美洲電郵：
latam.soporte@targus.com



© 2024 HYPER PRODUCTS INC
All rights reserved. 版權所有。

© 2024 HYPER PRODUCTS INC
All rights reserved.