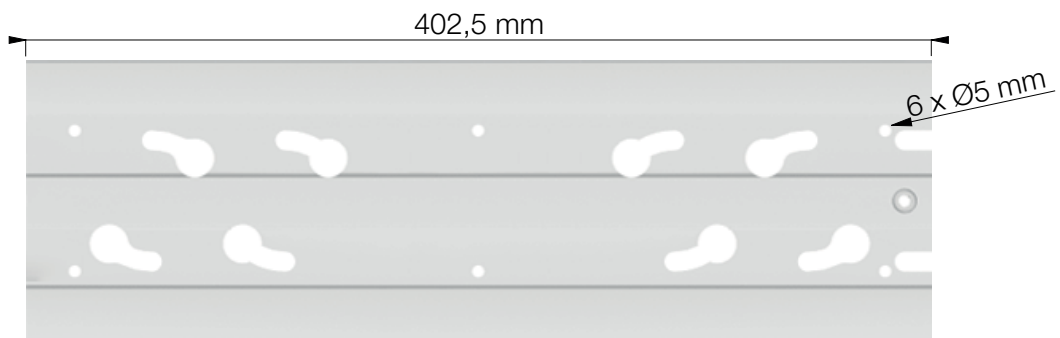
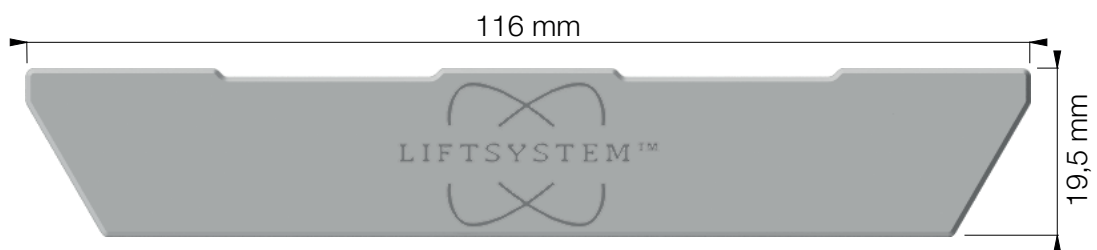


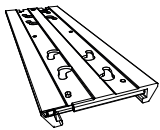


## Top View



## Front View



## BOM

①		X1
②		X1
③	 (M6x10)	X2