



## FEATURES

- 1 SMOOTH SWIVEL**  
Prevent screen from colliding with walls or furniture by setting rotation limits at 15°, 30°, 45° or 90°.
- 2 CABLE MANAGEMENT**  
Easily route and conceal cables through a wide, in-column channel for a clean finish.
- 3 SECURE INSTALLATION**  
Stand bolts down for a safe installation, and ships with universal security hardware for additional theft prevention.
- 4 EASY ORDERING**  
Built-in universal interface fits most screens 32 - 52", and everything needed for installation is provided in just one SKU.



## SPECIFICATIONS

Swivel Options	15°, 30°, 45°, 90°
Mounting Surface Thickness	Min: 0.25" (6 mm) Max: 1.94" (49 mm)
Weight Capacity	125 lbs (56.7 kg)
Colors	Black

## WHAT YOU NEED TO KNOW

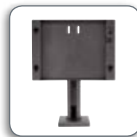
### ABOUT STLU

Mounting pattern range: VESA® 100 x 100 mm - 600 x 400 mm.

### APPLICATION RECOMMENDATION

Ideal for hospitality applications.

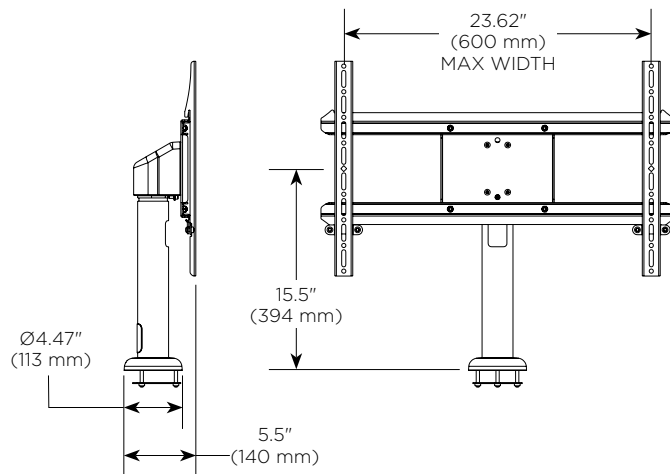
### OTHER PRODUCT OPTION



#### MTS

30 - 50" Security Table Stand

## TECHNICAL DRAWINGS



## HOSPITALITY APPLICATION

