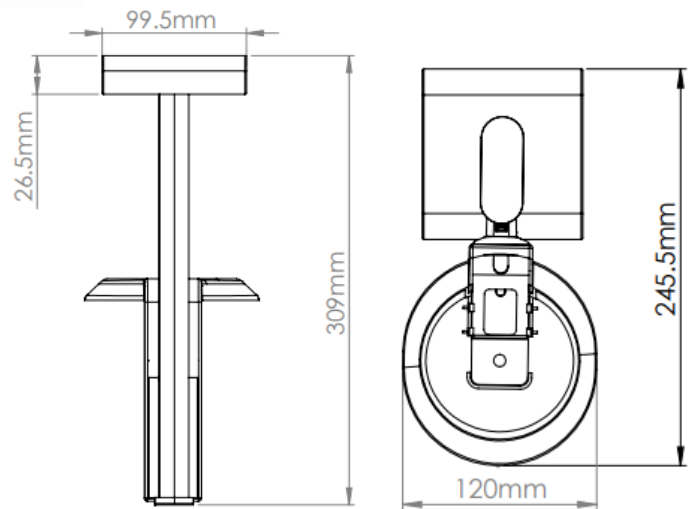
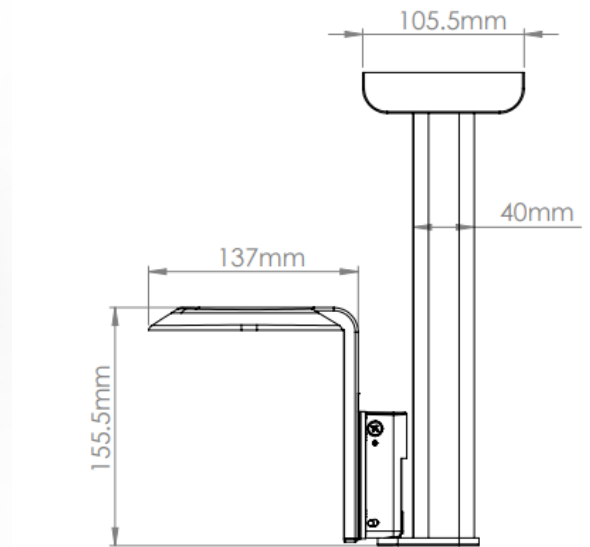


ACCESSORIES FOR SONOS

ERA100-CM Ceiling Mount for Sonos ERA 100



The Flexson Ceiling Mount for Sonos ERA 100 allows you to hang your speaker from the ceiling in the ideal place to sound - and look - great. This new, improved design gives you yet more flexibility and functionality with clever cable routing to the ceiling. It's ideal for commercial installs in bars, restaurants and shops, as well as for home use.

The new Flexson ceiling mount has a unique tilting mechanism, as well as the ability to swivel left or right, so you can perfectly angle your sound. Able to tilt 15 degrees down, swivels 80 degrees (40 degrees right & 40 degrees left). The bracket also allows you to hang the Sonos ERA 100 upside down so you can access on-speaker controls.

- Bespoke design securely holds the Sonos ERA 100
- Base seamlessly fits the speaker, holding it securely.
- Holds a single Sonos ERA 100 speaker 30cm below ceiling
- Clever cable management to keep things tidy
- Speaker can be inverted for access to controls if required
- Unique tilting mechanism (down 15°) plus can swivel up to 80°(40° left, 40° right), so you can perfectly angle your speaker
- Precision engineered. Quick and easy to fit

	White	Black
Product Code	FLXE100CM1011	FLXE100CM1021
UPC Number	5057964002828	5057964002835

UK, European and US (SRP)	£99.99	€109.99	\$109.99
---------------------------	--------	---------	----------

Product Specifications	Height	Width	Depth	Weight
Product Size (mm)	309mm	120mm	245.5mm	0.8kg
Carton Dimensions (mm)	325mm	105mm	125mm	1.1kg
Carton Contents	1 x Ceiling mount & 1 x Instructions			
Country of Manufacture	China	Outer Carton Quantity	10	