

# SMS PROJECTOR WL SHORT THROW V



Short-throw projection close to the wall.

A wall bracket that is easy to mount on a wall plate that can be located close to the ceiling, making vertical adjustment possible. The projector can be suspended at any location along the complete pillar, and it can be swivelled and tilted. Now with black or white plastic fittings, and the possibility to use a white or black universal slide to match the projector.

# SMS PROJECTOR WL SHORT THROW V

## INFO

- Finish: Aluminium/black or aluminium/white.
- Max. load: 12 kg.
- Lengths: 450, 680, 1200, 1450 and 1600 mm.
- Tilt: +/- 12° with fine adjustment for the depth and horizontal position.
- Adjustable: The height of the pillar can be adjusted +/- 20 mm, and the projector can be located at any position along it.

## ART. NO

AE016050-P1  
AE016051-P1

## DESCRIPTION

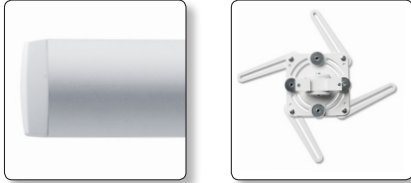
SMS Projector WL Short Throw V Universal A/GW  
SMS Projector WL Short Throw V Universal A/BL

## Pillar length white:

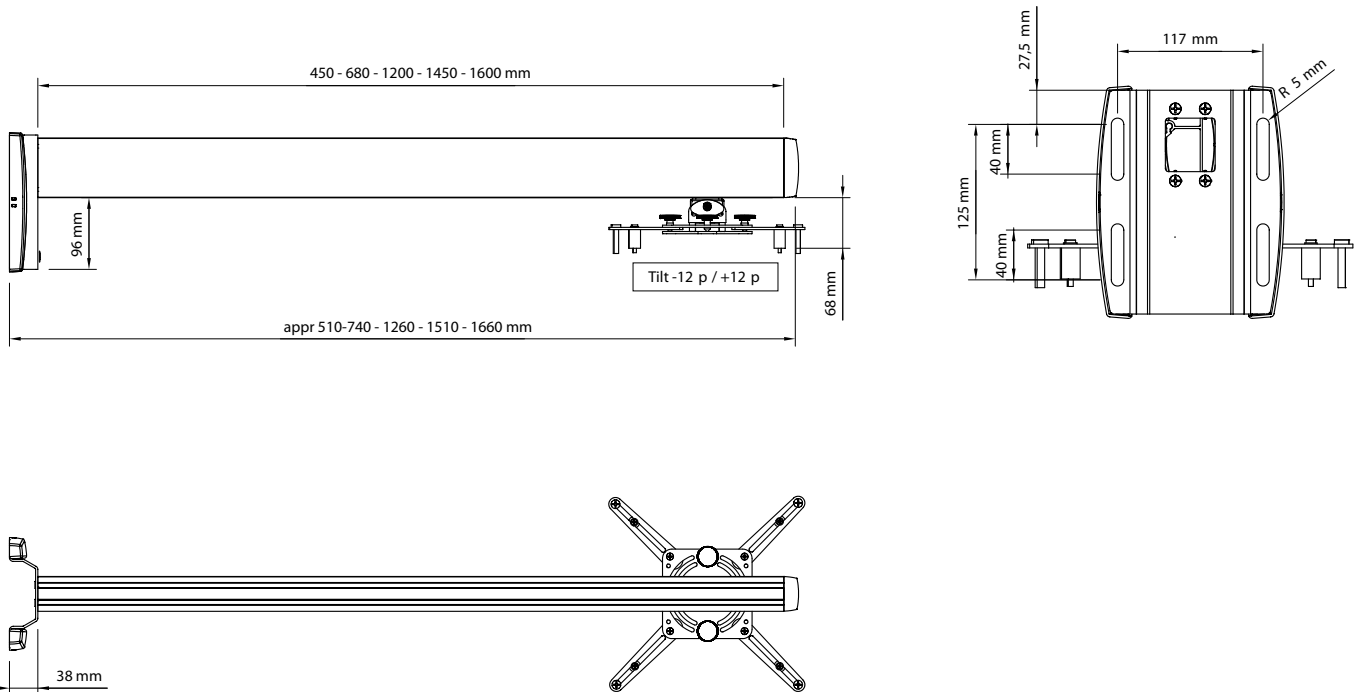
FS000450AW-P2	SMS Projector Short Throw 450 mm	Alu pillar Part 2 A/White
FS000680AW-P2	SMS Projector Short Throw 680 mm	Alu pillar Part 2 A/White
FS001202AW-P2	SMS Projector Short Throw 1200 mm	Alu pillar Part 2 A/White
FS001450AW-P2	SMS Projector Short Throw 1450 mm	Alu pillar Part 2 A/White
FS001600AW-P2	SMS Projector Short Throw 1600 mm	Alu pillar Part 2 A/White

## Pillar length black:

FS000450-P2	SMS Projector Short Throw 450 mm	Alu pillar Part 2 A/Black
FS000680-P2	SMS Projector Short Throw 680 mm	Alu pillar Part 2 A/Black
FS001202-P2	SMS Projector Short Throw 1200 mm	Alu pillar Part 2 A/Black
FS001450-P2	SMS Projector Short Throw 1450 mm	Alu pillar Part 2 A/Black
FS001600-P2	SMS Projector Short Throw 1600 mm	Alu pillar Part 2 A/Black



Now with white plastic fittings and a universal slide for projectors in white and black.



[www.SmartMediaSolutions.se](http://www.SmartMediaSolutions.se)