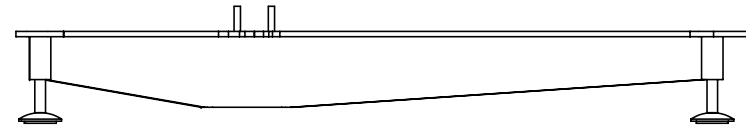
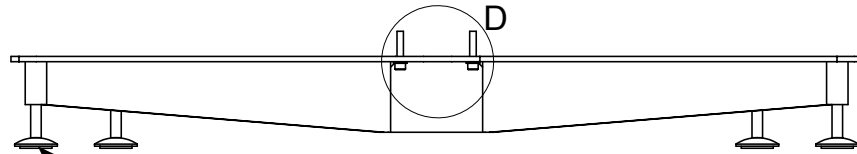


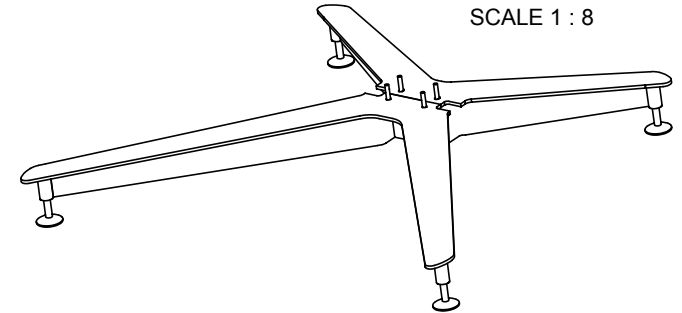
FRONT
SCALE 1 : 5

LEFT
SCALE 1 : 5

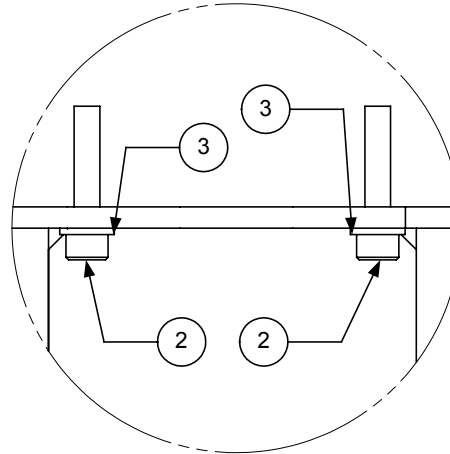


4

GENERAL
SCALE 1 : 8

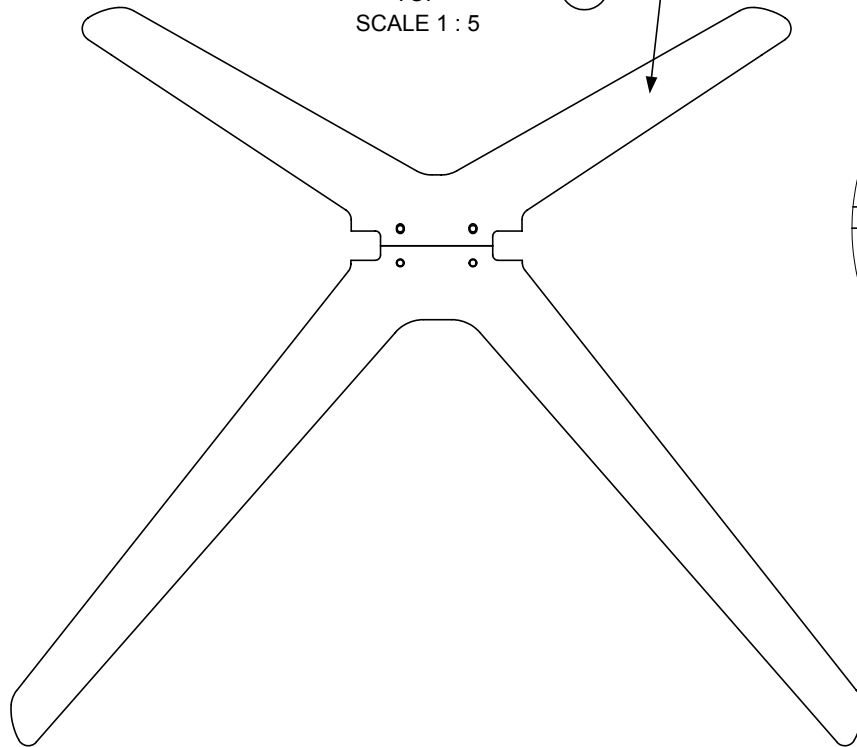


Detail D
SCALE 1 : 1,25



TOP
SCALE 1 : 5

1



4	4	SR1574 - RWA45M1045	Foot (Ulinco)
3	4	DIN 125 6,4	Washer
2	4	DIN 912 M6x30	Screw
1	1	07171 Rev C	Foot M/F Delux
Ite	Qt	Part Number	Description

	A3	General Tolerances acc to :			
	Scale:	ISO 2768-1 medium	Drawn DD	Checked --	Dat. 07-03-22
SMS Smart Media Solutions AB			Title		Sheet 1
			Base Floor Delux		Rev. C
			Doc.Nr 07172		