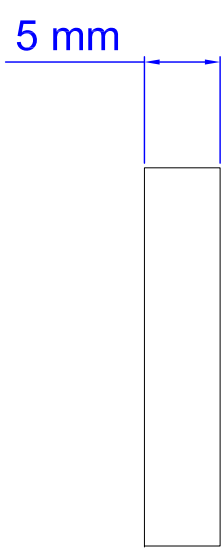
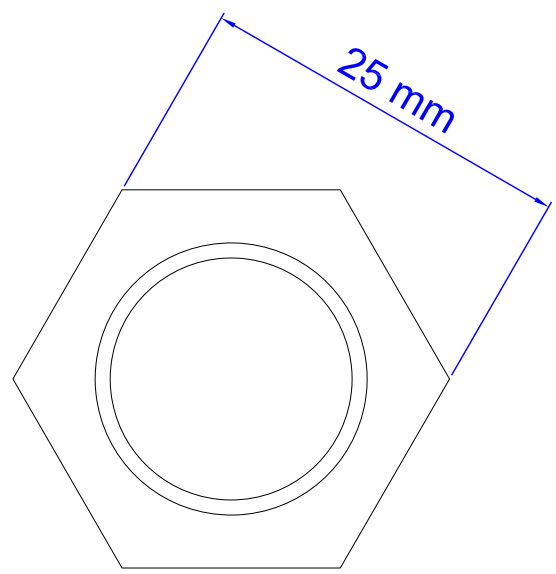


RevNo	Revision note	Date	Signature	Checked



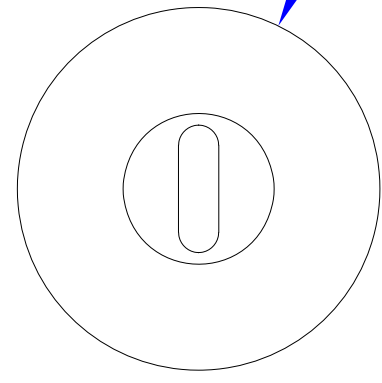
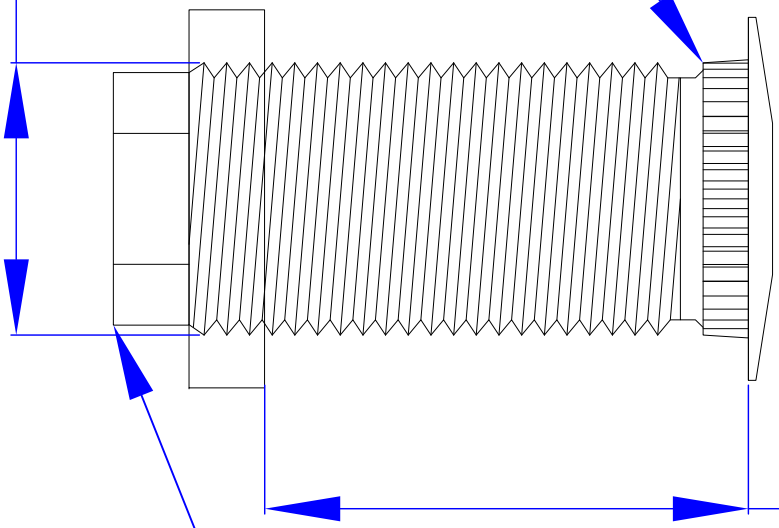
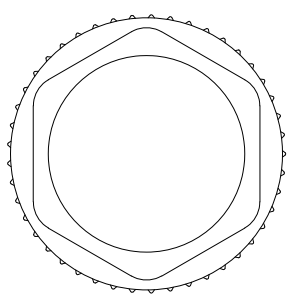
NUT



KNURLED TOP FOR LOCKING INTO SURFACE.

DRILL HOLE SIZE = 18 mm

Ø24 mm



MAX TABLE THICKNESS = 32 mm

FIXED 15 MM NUT FOR ADDITIONAL WRENCH



OCHNO

FILE NAME	OchnoSocket_v2.dwg	FSCM NO	SHEET	A3	SCALE	2:1
SIZE	A3	DRAWN	12/5/2020	OCHNO SOCKET		
CHECK		APPR.	OE			
ISSUED	2020-12-01	OE	DWG NO 0-DO-xx-xx-x			
REV	A1	CONTRACT NO				