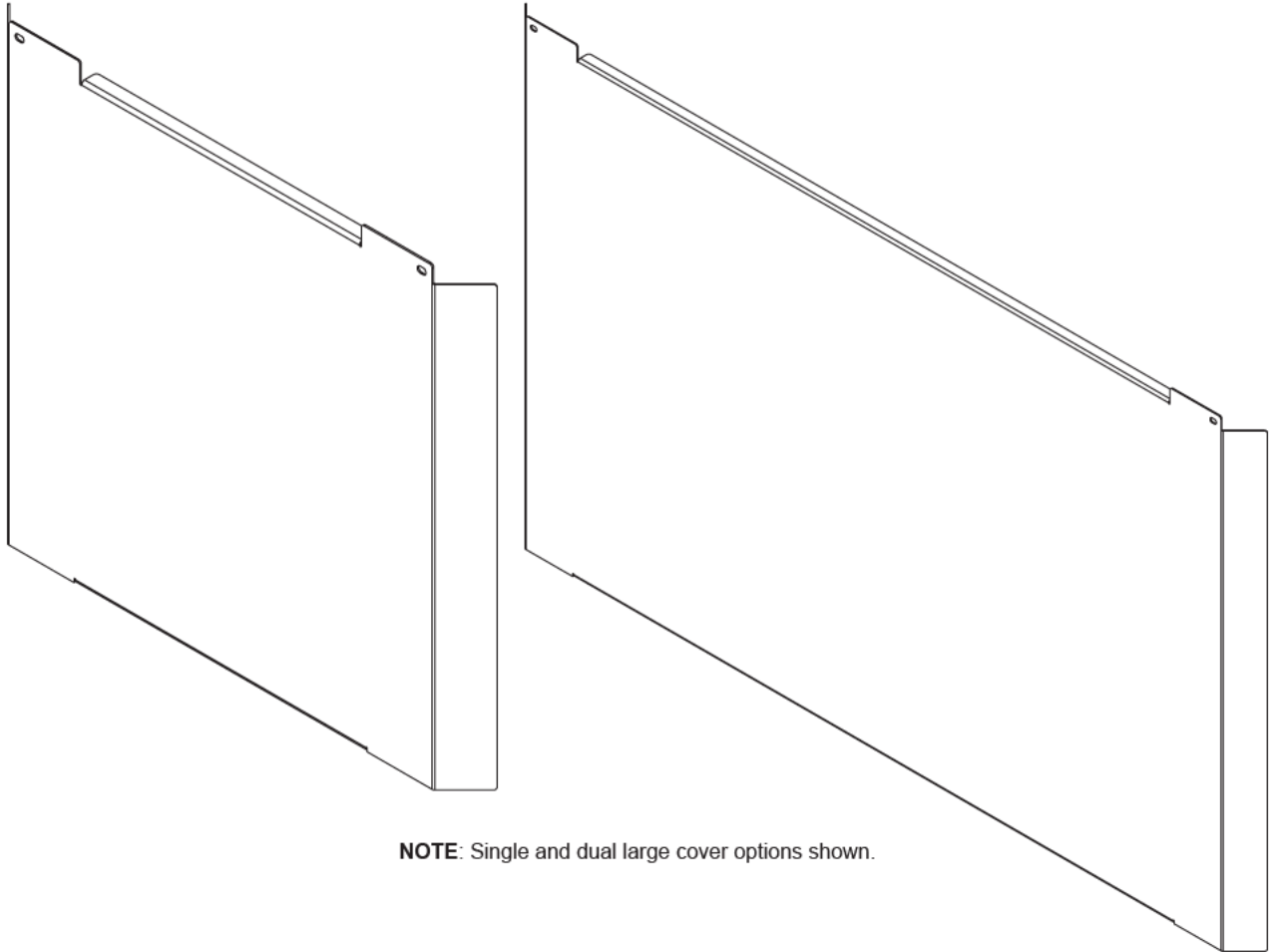


INSTRUCTION SHEET

C3 SERIES

DISPLAY MOUNT LARGE COVER OPTION (C3-XX-XCVR-BK)



NOTE: Single and dual large cover options shown.

THANK YOU

Thank you for purchasing a C3 Series Display Mount Large Cover option. Please read these instructions thoroughly before installing or assembling this product.

IMPORTANT SAFETY INSTRUCTIONS

- Read these instructions.
- Heed all warnings.
- Clean only with dry cloth.
- Keep these instructions.
- Follow all instructions.
- Only use attachments/accessories specified by the manufacturer.



DANGER HAZARDOUS VOLTAGE: The lightning flash with the arrowhead symbol, within an equilateral triangle is intended to alert the user to the presence of uninsulated dangerous voltage within the product's enclosure that may be of sufficient magnitude to constitute a risk of electric shock to persons.



WARNING: A warning alerts you to a situation that could result in serious personal injury or death.



WARNING: Middle Atlantic Products, electrical systems conform to and should be properly grounded in compliance with requirements of the current National Electrical Code or codes administered by local authorities. All electrical products may present a possible shock or fire hazard if improperly installed or used. Electrical products may bear the mark of a Nationally Recognized Testing Laboratory (NRTL) and should be installed in conformance with current local and/or the National Electrical Code.



WARNING: Failure to read, understand and follow the following information can result in serious personal injury, damage to the equipment or voiding of the warranty. It is the responsibility of the Installer/User to ensure that this product is loaded according to specifications.

INSTRUCTIONS IMPORTANTES SUR LA SÉCURITÉ

- Lire ces instructions.
- Respectez tous les avertissements.
- Nettoyer uniquement avec un chiffon sec.
- Conservez ces instructions.
- Suivez toutes les instructions.
- N'utilisez que des accessoires spécifiés par le fabricant.



DANGER TENSION DANGEREUSE: Le symbole de la pointe de flèche, dans un triangle équilatéral, est destiné à alerter l'utilisateur sur la présence de tension dangereuse non isolée dans l'enceinte du produit qui peut être d'une ampleur suffisante pour constituer un risque d'électrocution.



AVERTISSEMENT: Un avertissement vous avertit d'une situation pouvant entraîner des blessures graves ou la mort.



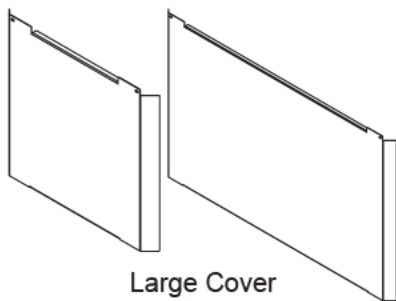
AVERTISSEMENT: Les produits Middle Atlantic, les systèmes électriques sont conformes et doivent être correctement mis à la terre conformément aux exigences du Code national de l'électricité en vigueur ou aux codes administrés par les autorités locales. Tous les produits électriques peuvent présenter un risque d'électrocution ou d'incendie s'ils sont mal installés ou utilisés. Les produits électriques peuvent porter la marque d'un laboratoire d'essais reconnu au niveau national (NRTL) et doivent être installés conformément au code électrique local et/ou national en vigueur.



AVERTISSEMENT: Refus de lire, comprendre et suivre la renseignements suivants peut traduire par de graves blessures, des dommages à l'équipement ou invalider la garantie. Il est la responsabilité de l'installateur / utilisateur de s'assurer que ce produit est chargé conformément aux spécifications.

SUPPLIED COMPONENTS AND HARDWARE

If any pieces are missing or damaged, please report it immediately to Technical Support at av.support@legrand.com or (866) 977-3901.



Large Cover

NOTE: Single and Dual models shown.

A



(3x)
10-32 x 1/2"
Thread Cutting Screw
B

Model No.	Width	Height
C3-24-SCVR-BK	Single, 21" (533 mm)	24" (610 mm)
C3-32-SCVR-BK	Single, 21" (533 mm)	32" (813 mm)
C3-24-DCVR-BK	Dual, 44" (1118 mm)	24" ()
C3-32-DCVR-BK	Dual, 44" (1118 mm)	32" ()

NOTE:

- To order more hardware, contact support at av.support@legrand.com or (866) 977-3901. Additional hardware is included that may not be needed for your installation.

REQUIRED TOOLS

- Power Driver
- #2 Phillips Bit
- #2 Phillips Screwdriver



WARNING: Use tools with caution and follow all necessary safety protocols.

AVERTISSEMENT: Utiliser des outils avec prudence et suivre tous les protocoles de sécurité nécessaires.

INTRODUCTION

NOTE: Only use this instruction sheet to install your C3 Series display mount large cover option after completing the following:

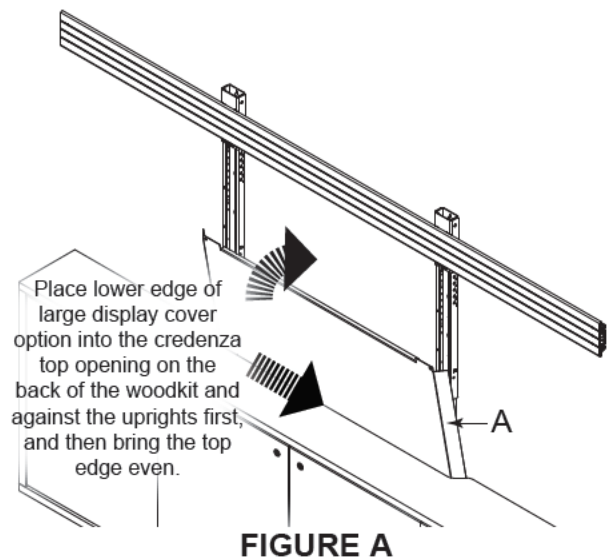
1. Refer to the C3 Series Credenza Frame instruction sheet (100-00032) and secure the frame to your wall.
2. Refer to the following instruction sheets to install the C3 Series options you may have purchased for your credenza.
 - C3 Series Display Mount Option (C3-XX-LDXU) Instruction Sheet (100-00034)
 - C3 Series Slide-Out Rack Option (C3-TECHKIT4-SO) Instruction Sheet (100-00036)
 - C3 Series Fixed Rack Option (C3-TECHKIT4-ST) Instruction Sheet (100-00037)
 - C3 Series Shelf Option (C3-SHELFKIT) Instruction Sheet (100-00038)
3. Refer to the C3 Series WoodKit instruction sheet (100-00040) to install your woodkit.

NOTE:

- Kits and options other than the fan kit and large cover option should be installed before your woodkit is attached to the frame.
- Instruction sheets may also be accessed at www.middleatlantic.com.

INSTALLATION

1. Place the lower edge of your display mount large cover option (A) into the opening on the top of your credenza. The edge should sit on top of the horizontal cover on your frame and against the display mount uprights as shown. (**FIGURE A**)
2. Bring the top edge of the display mount large cover option flat against the uprights.

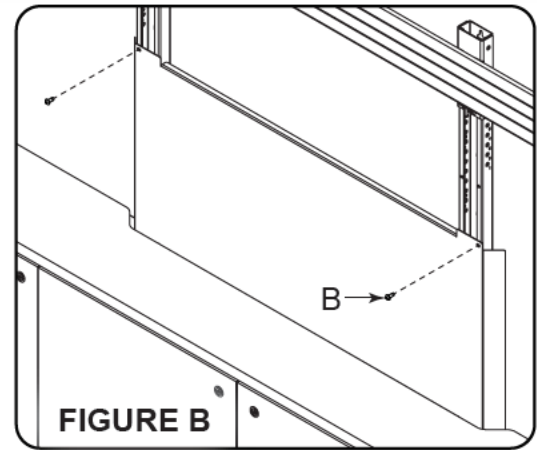


NOTE: Dual large cover option shown in black for clarity. The procedure is the same for a single large cover option on C3 credenzas with any number of bays.

INSTALLATION (CONTINUED)

NOTE: Verify the torque on your power driver is on the lightest setting and only increase as necessary.

3. Use a power driver, #2 Phillips bit and (2x) 10-32 x ½" thread cutting screws (B) through the holes in the top corners of the display mount large cover option and into the holes on the uprights. (**FIGURE B**)



WARRANTY

For warranty information, refer to legrandav.com/policies/warranty_information.

Corporate Headquarters

P: (866) 977-3901 | F: (877) 894-6918 | legrandav.com | av.support@legrand.com

Middle Atlantic Canada

P: (888) 766-9770 | F: (888) 599-5009 | ca.middleatlantic.com | av.canada.customerservice@legrand.com

Middle Atlantic EMEA Technical Support

P: +31 495-726-003 | av.emea.middleatlantic.support@legrand.com

Factory Distribution

United States: New Jersey, California, and Illinois | Canada: Ontario | The Netherlands: Weert

At Legrand AV Inc. we are always listening. Your comments are welcome.

Legrand AV is an ISO 9001 and ISO 14001 Registered Company.