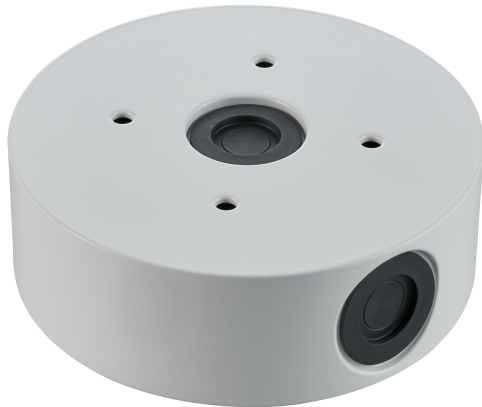


## NDA-U-CBB Conduit back box, 148mm



The modular camera mounts & accessories are a family of mounts, mounting adapters, pendant interface plates and surveillance cabinets which can be used with a wide range of Bosch cameras. The accessories are easy to install and can be combined to simplify installation in multiple locations while retaining the same look and feel.

### Functions

The conduit back box is designed for use with the FLEXIDOME panoramic 5100i IR. It is also compatible with the DINION 5100i IR.

This accessory comes ready for installation to a wall or ceiling. To adapt it to be mounted to a pole or corner, the following accessories must be used with:

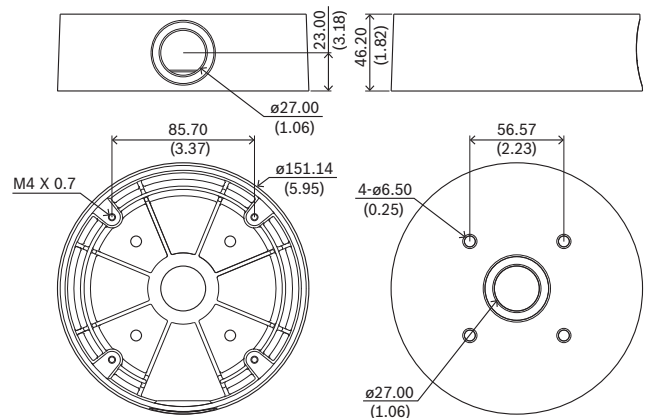
- NDA-U-PMAL Pole mount adapter large
- NDA-U-CMT Corner mount adapter

### Certifications and approvals

Environmental	
Salt mist	IEC60068-2-52
Vibration	IEC60068-2-6, NEMA TS2
Shock	IEC60068-2-27, NEMA TS2
Impact	IK10

- ▶ Modular design for fast and easy installation
- ▶ Weather resistant finish to maintain cosmetic appearance
- ▶ Vandal resistant design for indoor and outdoor use
- ▶ Impact, shock and vibration resistant

### Installation/configuration notes



Dimensions in mm (inch)

### Parts included

Quantity	Component
1	Back box base
2	Rubber cap
4	M4 x 12 mm T20 screw
1	Quick installation guide

### Technical specifications

Mechanical	
Dimension (Ø x H) (mm)	151.14 mm x 46.20 mm

Dimension (Ø x H) (in)	5.95 in x 1.82 in
Conduit dimensions Ø	M25 max.
Weight (g)	467 g
Weight (lb)	1.03 lb
Material	Aluminum
Color in RAL	RAL 9003 Signal white

### Ordering information

#### **NDA-U-CBB Conduit back box, 148mm**

Outdoor conduit back box, 148mm, IP66 rated

Order number **NDA-U-CBB | F.01U.394.006**

#### Represented by:

**Europe, Middle East, Africa:**  
Bosch Security Systems B.V.  
P.O. Box 80002  
5600 JB Eindhoven, The Netherlands  
Phone: + 31 40 2577 284  
emea.securitysystems@bosch.com  
emea.boschsecurity.com

**Germany:**  
Bosch Sicherheitssysteme GmbH  
Robert-Bosch-Ring 5  
85630 Grasbrunn  
Germany  
www.boschsecurity.com

**North America:**  
Bosch Security Systems, LLC  
130 Perinton Parkway  
Fairport, New York, 14450, USA  
Phone: +1 800 289 0096  
Fax: +1 585 223 9180  
onlinehelp@us.bosch.com  
www.boschsecurity.us

**Asia-Pacific:**  
Robert Bosch (SEA) Pte Ltd, Security Systems  
11 Bishan Street 21  
Singapore 573943  
Phone: +65 6571 2808  
Fax: +65 6571 2699  
apr.securitysystems@bosch.com  
www.boschsecurity.asia