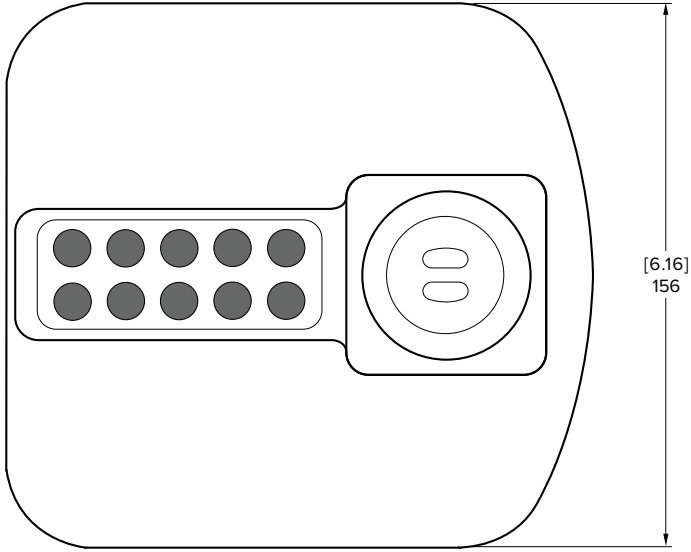
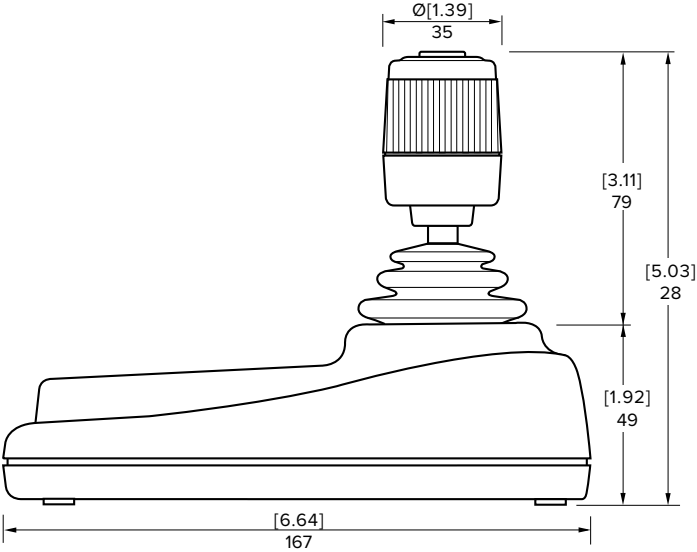


# Surveillance USB Joystick

**ACC-USB-JOY**

USB joystick with customizable buttons for controlling video in the Avigilon Control Center Client™ software.

Power Supply	5.0 V DC, 32 mA max.	
Wiring	USB 1.1	
Joystick	Operating Travel	36° (18° from center)
	Centering	Single spring, omnidirectional
	Breakout Force	0.109 Nm
	Operating Force	0.151 Nm
	Max. Force	0.169 Nm
Operating Temperature	-40 °C to +85 °C (-40 °F to 185 °F)	
Certification	RoHS compliant	



[X.X]	INCHES
X	MM

SUPPORT [asksales@avigilon.com](mailto:asksales@avigilon.com) | [avigilon.com](http://avigilon.com)