

# ULISSE EVO RANGE, BRACKETS



## UEBP0

### PARAPET BRACKET WITH INTERNAL CABLE CHANNEL

Aluminium pressure casting construction

Dimensions: Ø129x53mm (5x2in)



UEBP0

## UEBP4 - UEBP7

### PARAPET SUPPORT WITH QUICK CONNECTORS

Aluminium pressure casting construction

Quick connectors RJ45 (Ethernet and PoE) + 4/7 poles (power supply and I/O)

Dimensions: 129x53x180mm (5x2x7in)



UEBP4 - UEBP7

## UEBW

### WALL BRACKET WITH INTERNAL CABLE CHANNEL

Aluminium pressure casting construction

Dimensions: 129x247x114mm (5x9.7x4.5in)



UEBW

## UEAP

### POLE MOUNT ADAPTOR

AISI 316L stainless steel construction

For pole diameters: from 60mm up to 200mm

Dimensions: 121x85mm (4.7x3.3in)



UEAP

## UEAC

### CORNER MOUNT ADAPTOR

AISI 316L stainless steel construction

Dimensions: 120x220mm (4.7x8.7in)



UEAC

UEAW

COUNTER-PLATE

AISI 316L stainless steel construction

Dimensions: 200x200x25mm (7.9x7.9x0.98in)



UEAW

## TECHNICAL DATA

### UEBP0

#### MECHANICAL

Bracket for ULISSE EVO PTZ  
Aluminium pressure casting construction  
Dimensions: Ø129x53mm (5x2in)  
Unit weight: 0.5kg (1.1lb)

#### PART NUMBER

|         |  |
|---------|--|
| UEBP0AA | Parapet bracket with internal cable channel for ULISSE EVO, grey-white (RAL9002)   |
| UEBP0FA | Parapet bracket with internal cable channel for ULISSE EVO, black colour (RAL9005) |

#### PACKAGE

| Model Number | Weight        | Dimensions (WxHxL)      | Master carton |
|--------------|---------------|-------------------------|---------------|
| UEBP0        | 0.7kg (1.5lb) | 18x20x7cm (7x7.9x2.8in) | -             |

### UEBP4 - UEBP7

#### MECHANICAL

Bracket for ULISSE EVO PTZ  
Aluminium pressure casting construction  
Dimensions: 129x53x180mm (5x2x7in)  
Unit weight: 0.65kg (1.4lb)

#### PART NUMBER

|         |   |
|---------|---|
| UEBP4AA | Parapet bracket with quick connectors RJ45 (Ethernet and PoE) + 4 poles with screw terminal (power supply and I/O) for ULISSE EVO grey-white (RAL9002)    |
| UEBP4FA | Parapet bracket with quick connectors RJ45 (Ethernet and PoE) + 4 poles with screw terminal (power supply and I/O) for ULISSE EVO, black colour (RAL9005) |
| UEBP7AA | Parapet bracket with quick connectors RJ45 (Ethernet and PoE) + 7 poles to weld (power supply and I/O) for ULISSE EVO, grey-white (RAL9002)               |
| UEBP7FA | Parapet bracket with quick connectors RJ45 (Ethernet and PoE) + 7 poles to weld (power supply and I/O) for ULISSE EVO, black colour (RAL9005)             |

#### PACKAGE

| Model Number | Weight          | Dimensions (WxHxL)      | Master carton |
|--------------|-----------------|-------------------------|---------------|
| UEBP4        | 0.85kg (1.87lb) | 18x20x7cm (7x7.9x2.8in) | -             |
| UEBP7        | 0.85kg (1.87lb) | 18x20x7cm (7x7.9x2.8in) | -             |

### UEBW

#### MECHANICAL

Bracket for ULISSE EVO PTZ  
Aluminium pressure casting construction  
Dimensions: 129x247x114mm (5x9.7x4.5in)  
Unit weight: 0.8kg (1.8lb)

### PART NUMBER

|        |   |
|--------|---|
| UEBWAA | Wall bracket for ULISSE EVO, grey-white (RAL9002)   |
| UEBWFA | Wall bracket for ULISSE EVO, black colour (RAL9005) |

#### PACKAGE

| Model Number | Weight         | Dimensions (WxHxL)          | Master carton |
|--------------|----------------|-----------------------------|---------------|
| UEBW         | 1.15kg (2.5lb) | 17x30.5x13cm (6.7x12x5.1in) | -             |

### UEAP

#### MECHANICAL

Bracket for UEBW (ULISSE EVO) and for NVX, NTX cameras  
AISI 316L stainless steel construction  
For pole diameters: from 60mm up to 200mm  
Dimensions: 121x85mm (4.7x3.3in)  
Unit weight: 0.35kg (0.77lb)

#### PART NUMBER

|      |   |
|------|---|
| UEAP | Pole adaptor in stainless steel AISI 316L |
|------|---|

#### PACKAGE

| Model Number | Weight        | Dimensions (WxHxL)          | Master carton |
|--------------|---------------|-----------------------------|---------------|
| UEAP         | 0.6kg (1.3lb) | 9.5x13x19.5cm (3.7x5x7.7in) | -             |

### UEAC

#### MECHANICAL

Bracket for UEBW (ULISSE EVO) and for NVX, NTX cameras  
AISI 316L stainless steel construction  
Dimensions: 120x220x128mm (4.7x8.7x5in)  
Unit weight: 1.1kg (2.2lb)

#### PART NUMBER

|      |   |
|------|---|
| UEAC | Corner adaptor in stainless steel AISI 316L |
|------|---|

#### PACKAGE

| Model Number | Weight         | Dimensions (WxHxL)                | Master carton |
|--------------|----------------|-----------------------------------|---------------|
| UEAC         | 1.45kg (3.2lb) | 14.5x26.5x14.5cm (5.7x10.4x5.7in) | -             |

### UEAW

#### MECHANICAL

Bracket for UEBW, UEBP (ULISSE EVO) and for NVX, NTX cameras  
AISI 316L stainless steel construction  
Dimensions: 200x200x25mm (7.9x7.9x0.98in)  
Unit weight: 1.38kg (3.04lb)

#### PART NUMBER

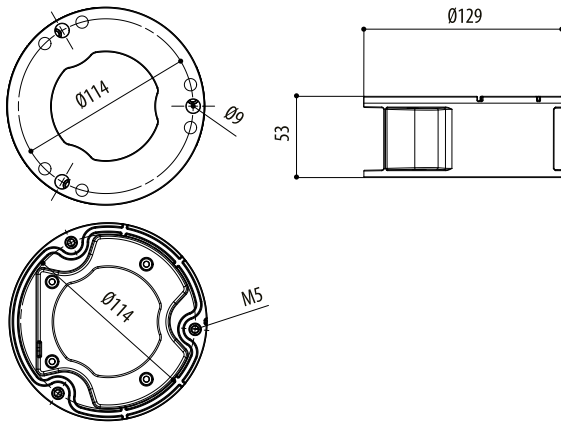
|      |  |
|------|--|
| UEAW | Counter-plate in stainless steel AISI 316L |
|------|--|

#### PACKAGE

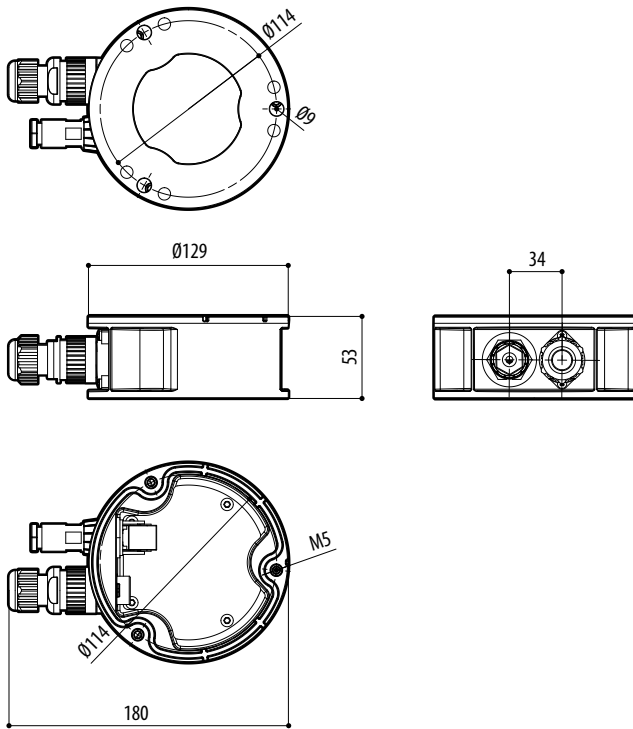
| Model Number | Weight       | Dimensions (WxHxL)        | Master carton |
|--------------|--------------|---------------------------|---------------|
| UEAW         | 1.85kg (4lb) | 33x27x7.5cm (13x10.6x3in) | -             |

## TECHNICAL DRAWINGS

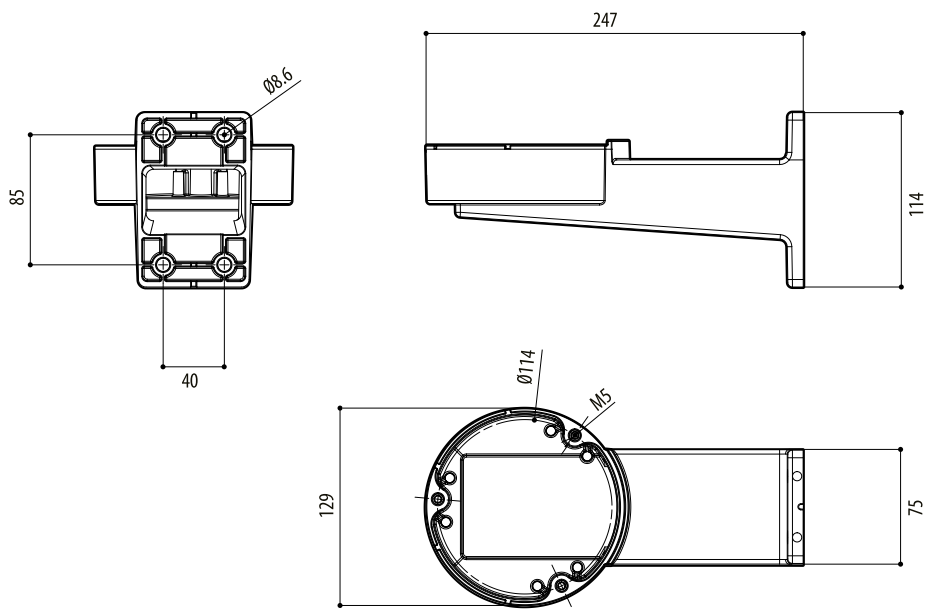
The indicated measurements are expressed in millimetres.



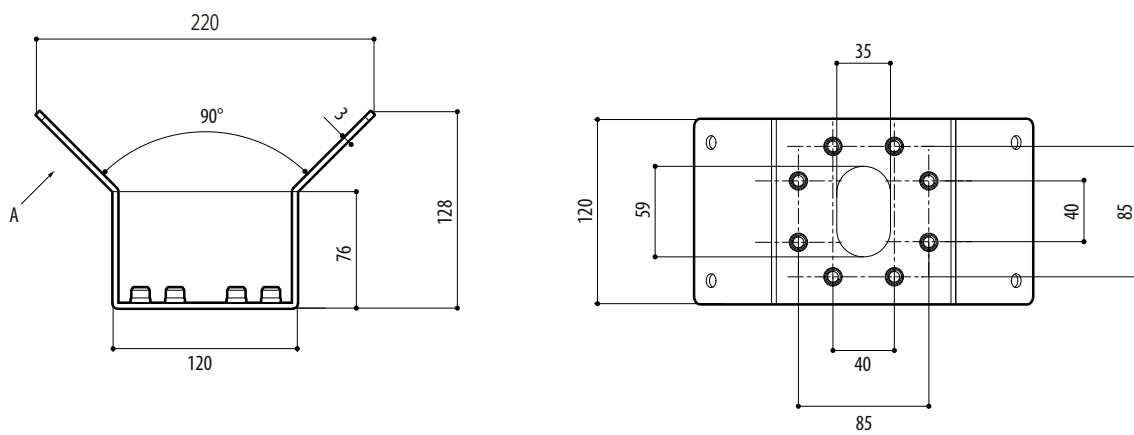
UEBP0



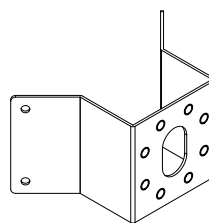
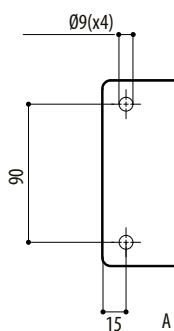
UEBP4 - UEBP7

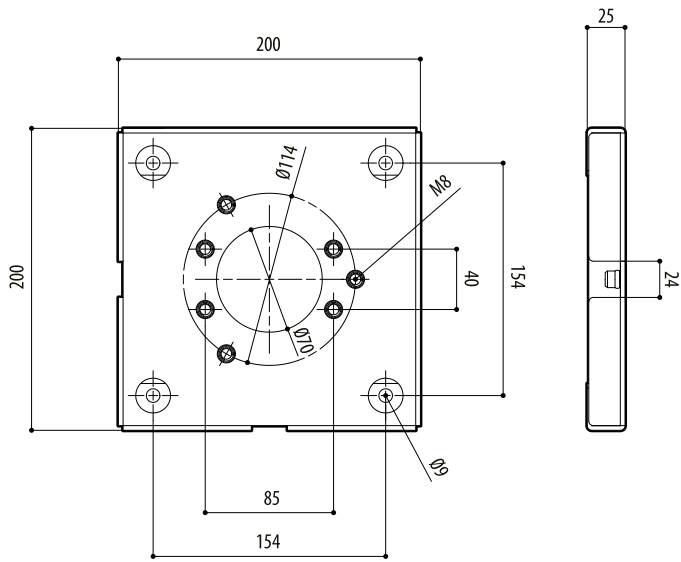


UEBW

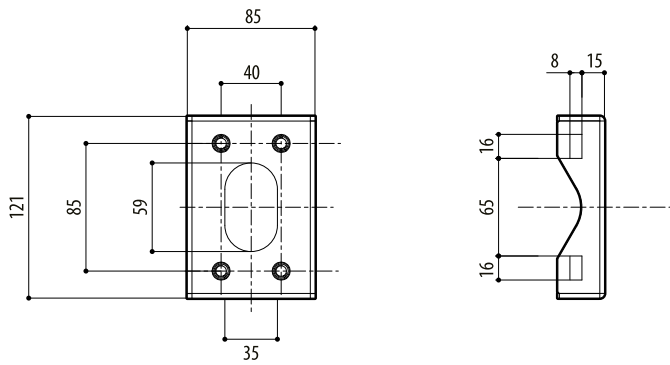
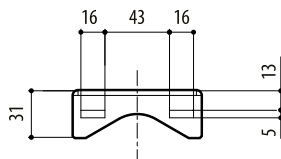


UEAC





UEAW



UEAP