

Accessories for LCD Monitors

www.boschsecurity.com



BOSCH
Invented for life



- ▶ Easy to install two piece design brackets
- ▶ Supports all LCD monitors with a VESA®-compliant pattern
- ▶ Mounts support up to 12 kg (26.5 lb) for monitors smaller than 20 inches and up to 90.71 kg (200 lb) for larger monitors

Bosch offers a range of mounting options and power supplies for the UML Series flat-panel monitors. The Bosch series of Universal Monitor Mounts (UMM) are designed to mount any VESA®-compliant monitor to a wall or in a rack-mount cabinet, up to 12 kg (26.5 lb) in weight. The wall mounts offered in the series of Universal Monitor Mounts (UMM) are the UMM-LW-20B, the UMM-LW-30B and the UMM-WMT-32. The rack mount is the UMM-LCDUB-RM. The ST650 wall mount is ideal for mounting a 37-inch to a 60-inch LCD screen to a wall. The one-touch tilt feature allows adjustment of $\pm 15^\circ$ without the use of tools.

Each wall mount comes in two pieces: a VESA®-compliant mounting plate that attaches to the monitor and a V-shaped wall bracket. Once both pieces of the mount are attached, the monitor slides into the V-shaped bracket on the wall, making installation quick and easy. A set screw secures the two sections of the mount together.

The UMM-LCDUB-RM is ideal for mounting 15-inch, 17-inch, or 19-inch UML LCD monitors. This mount supports dual 8.4-in. and single 8.4- to 19-in. LCD monitors in a standard VESA rack cabinet.

The Bosch UML-202-90 PS Universal Power Supply is compatible with all Bosch LCD monitors up to 19 inches, and provides 12 VDC / 5.0 A output.

Functions

Mounts

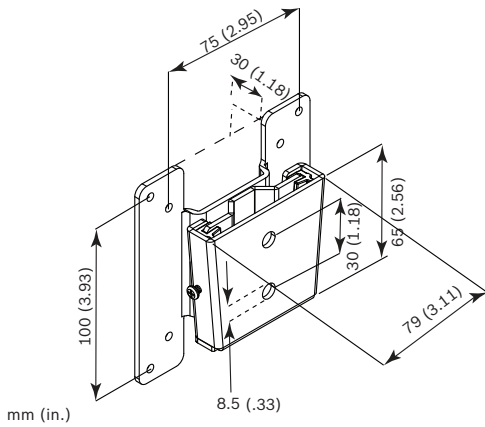
Model No.	Mount Type	Maximum Weight
UMM-LW-20B	Fixed Wall Mount Bracket	12 kg (26.5 lb)
UMM-LW-30B	Swivel/Tilt Wall Mount Bracket	12 kg (26.5 lb)
UMM-LCDUB-RM	Rack Mount	9.5 kg (20.94 lb)
ST650	Universal Tilt Wall Mount	79 kg (175 lb)
UMM-WMT-32	Tilt Wall Mount	35 kg (77.1 lb)

Power Supplies

Model No.	Rated Input	Rated Output
UML-202-PS	100 VAC to 240 VAC, 50/60 Hz, 1.5 A	12 VDC, 5.83 A

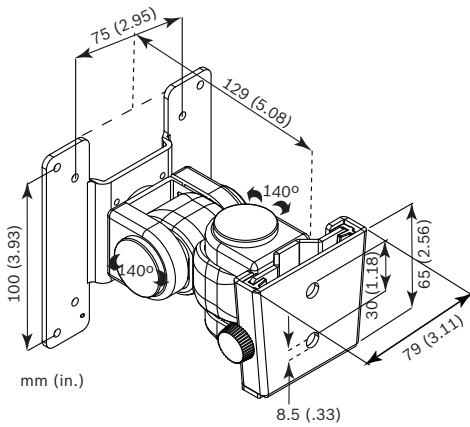
Technical specifications

Fixed Wall Mount Bracket (UMM-LW-20B)



Fixed Wall Mount (UMM-LW-20B)

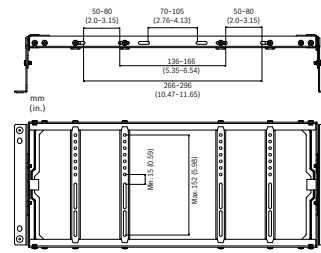
Swivel/Tilt Wall Mount Bracket (UMM-LW-30B)



Swivel/Tilt Wall Mount (UMM-LW-30B)

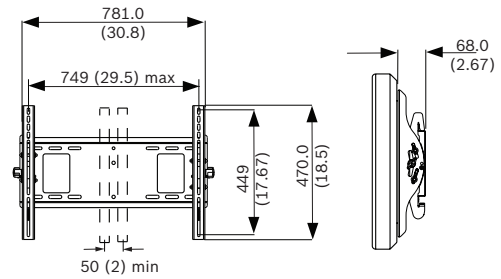
Monitor Type	LCD monitors only
Maximum Weight Capacity	12 kg (26.5 lb)
Swivel Adjustment	360°
Swivel Range	140° (±70°)
Tilt Range	140° (±70°)
Material	Steel
Color	Black
Dimensions	See drawing above
Weight	0.84 kg (1.86 lb)

Rack Mount Bracket (UMM-LCDUB-RM)



Rack Mount Bracket (UMM-LCDUB_RM)

Universal Tilt Wall Mount (ST650)



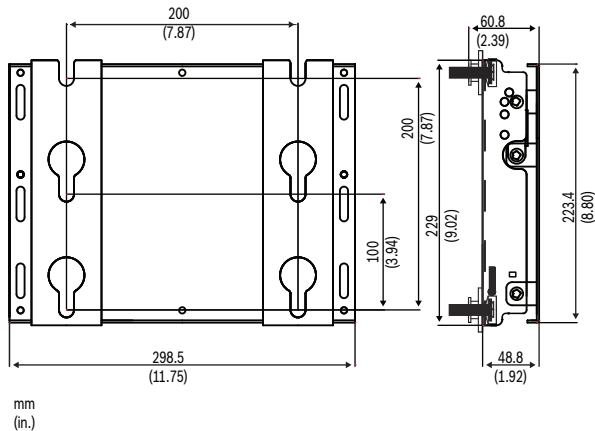
mm.
in.

Universal Tilt Wall Mount (ST650)

Monitor Type	For 37-in. to 75-in. LCD monitors only
Mounting pattern	750 x 405 mm (29.5 x 16")
Maximum Weight Capacity	79 kg (175 lb)
Tilt Range	-5° / +15°
Mounting Surfaces	Wood stud, concrete, cinder block, metal stud* * Metal stud accessory required.
Material	Scratch-resistant fused epoxy
Color	Black
Dimensions	See drawing above
Weight	4.69 kg (10.5 lb)

UMM-WMT-32 Tilt Wall Mount

The UMM-WMT-32 wall mount accommodates a 32-inch LCD monitor with mounting holes spaced 200 x 200 mm (7.87 in.) or 200 x 100 mm (3.94 in.) horizontally and vertically. The mount can support a monitor up to 35 kg (77.1 lb) in weight, and can tilt the monitor 20°.



Tilt Wall Mount (UMM-WMT-32)

Monitor Type	For 32-in. LCD monitors
Maximum Weight Capacity	35 kg (77.1 lb)
Tilt Range	20°
Material	Steel
Color	Black
Dimensions	See drawing above
Weight	2.5 kg (5.5 lb)

UML-202-PS Universal Power Supply

Electrical

Rated Input	100 VAC to 240 VAC, 50/60 Hz, 1.5 A
Rated Output	12 VDC, 5.83 A

Ordering information

UMM-LW-20B Wall mount for monitor, basic, black
 Fixed wall mount for an LCD monitor up to 12 kg (26.5 lb), black.
 Order number **UMM-LW-20B**

UMM-LW-30B Wall mount for monitor, tilt/swivel
 Swivel/tilt wall mount for an LCD monitor up to 12 kg (26.5 lb), black.
 Order number **UMM-LW-30B**

ST650 Wall mount for monitor 37"to75", tilt
 Tilt wall mount for a monitor (37 to 75 inch), black.
 Order number **ST650**

UMM-WMT-32 wall mount for monitor 32 inch, tilt
 Tilt wall mount for a monitor (32 inch). Black
 Order number **UMM-WMT-32**

UMM-LCDUB-RM Rack mount bracket for LCD monitor
 Rack mount bracket for monitors (8.4 to 19 inch) in a standard VESA rack cabinet
 Order number **UMM-LCDUB-RM**

UML-202-PS Universal power supply for UML LCDs
 Power supply for monitor. 100 to 240 VAC; 50/60 Hz; 1.5 A
 Order number **UML-202-PS**

Represented by:

Europe, Middle East, Africa:
 Bosch Security Systems B.V.
 P.O. Box 80002
 5600 JB Eindhoven, The Netherlands
 Phone: + 31 40 2577 284
 emea.securitysystems@bosch.com
 emea.boschsecurity.com

Germany:
 Bosch Sicherheitssysteme GmbH
 Robert-Bosch-Ring 5
 85630 Grasbrunn
 Germany
 www.boschsecurity.com

North America:
 Bosch Security Systems, Inc.
 130 Perinton Parkway
 Fairport, New York, 14450, USA
 Phone: +1 800 289 0096
 Fax: +1 585 223 9180
 onlinehelp@us.bosch.com
 www.boschsecurity.us

Asia-Pacific:
 Robert Bosch (SEA) Pte Ltd, Security Systems
 11 Bishan Street 21
 Singapore 573943
 Phone: +65 6571 2808
 Fax: +65 6571 2699
 apr.securitysystems@bosch.com
 www.boschsecurity.asia