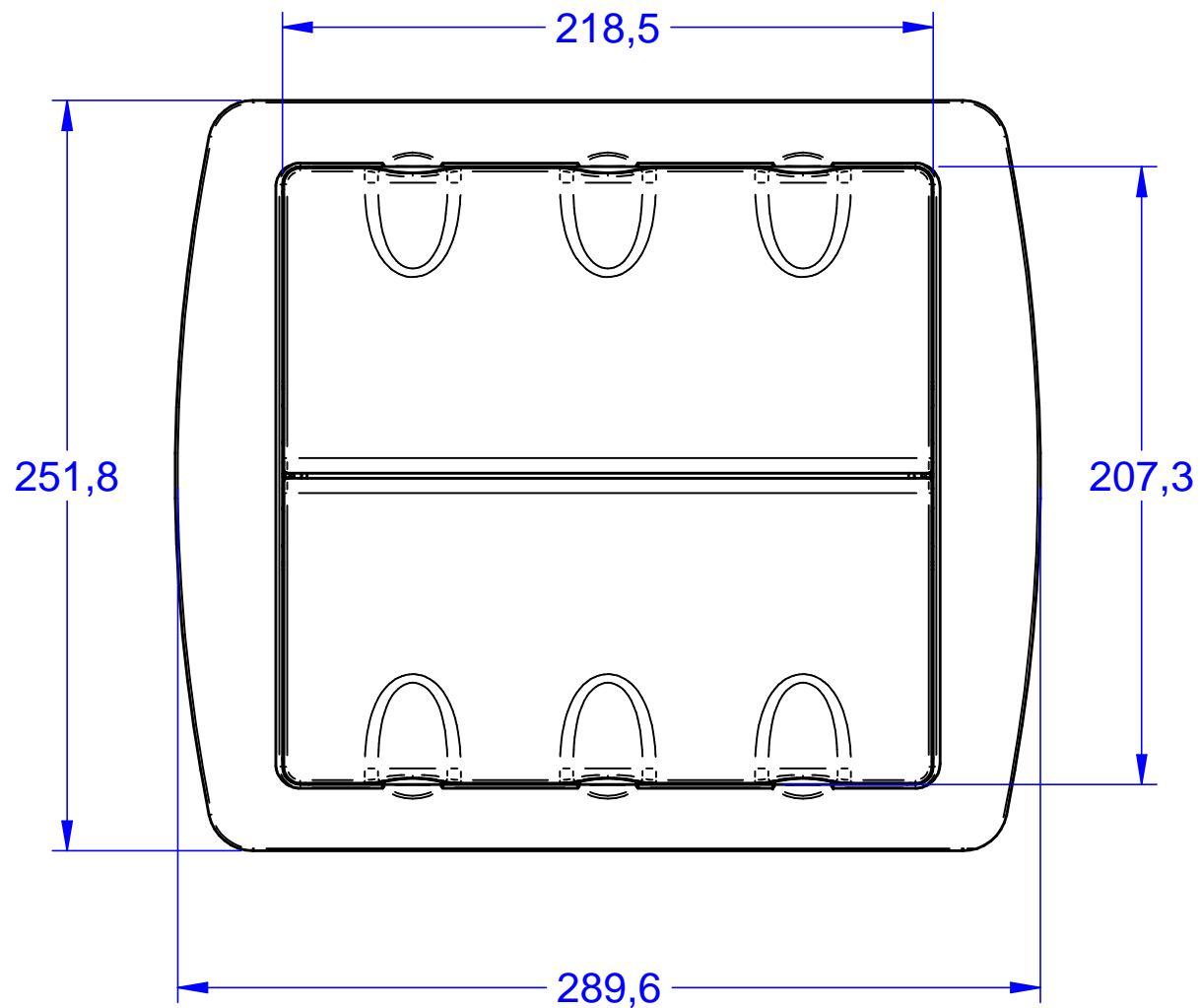
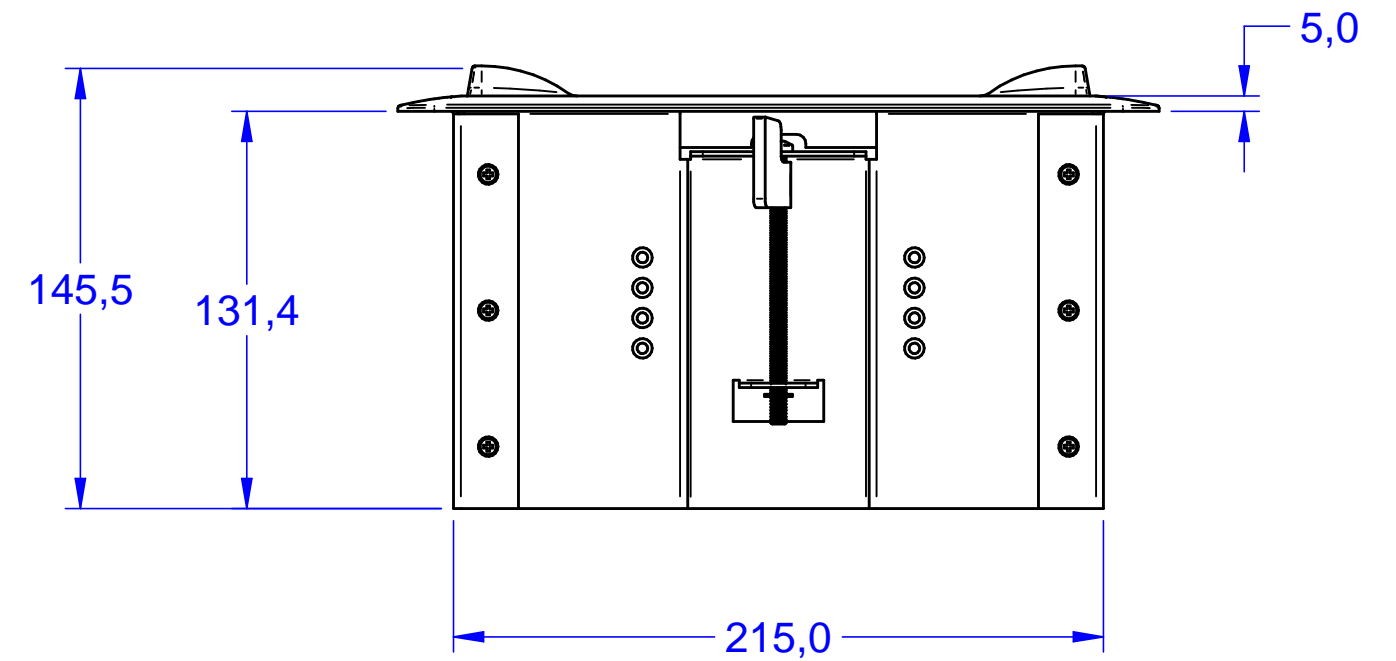
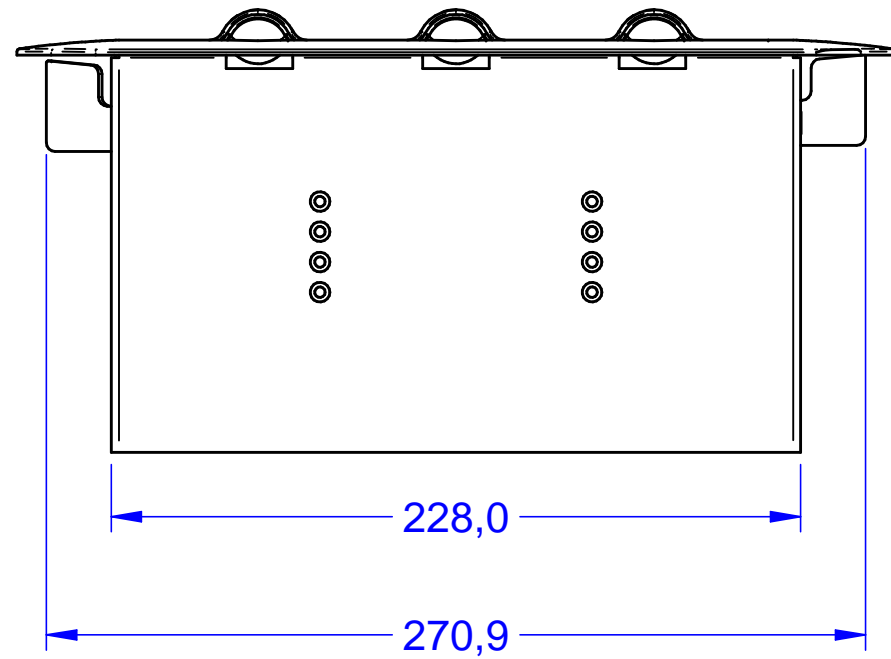

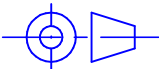


REV.	DESCRIPTION	ECO NO.	UPDATE BY	DATE	APPROVED
A	DRAWING RELEASED	RD-007568	ARKADY	22/06/20	ODED C



DIMENSIONS IN MILLIMETER

	NAME	DATE	 <b>KRAMER ELECTRONICS LTD.</b> JERUSALEM, ISRAEL	
DRAWN	ARKADY	22/06/20		
APPROVED	ODED C	22/06/20		
Project :			<b>KRAMER DRW.:</b> OL000287	REV.
<b>TBUS-20WAVE</b>				<b>A</b>