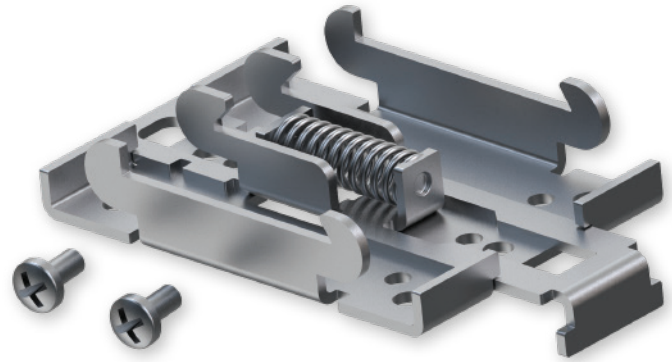


DIN RAIL KIT



TECHNICAL DATA

Mounting type	35 mm DIN Rail
Material	Low carbon steel
Dimensions	65.2 x 44.2 x 1.5 mm
Screws included	Philips Pan head screw #6-32x3/16, 2 pcs
Weight	57 g
RoHS compliant	✓

