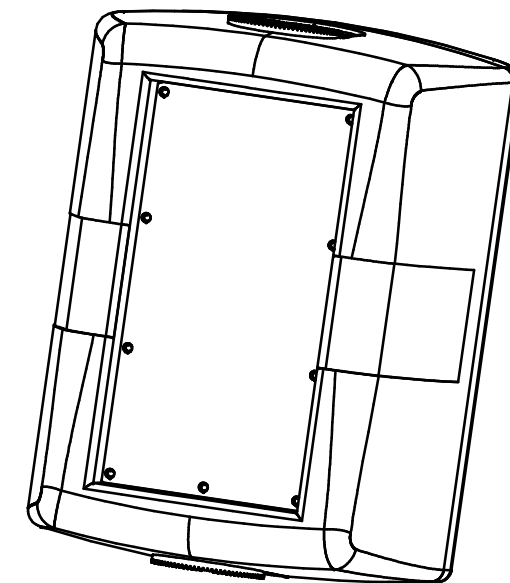
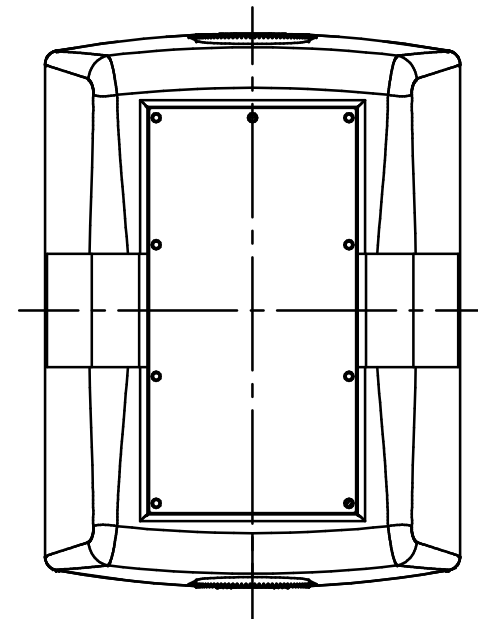
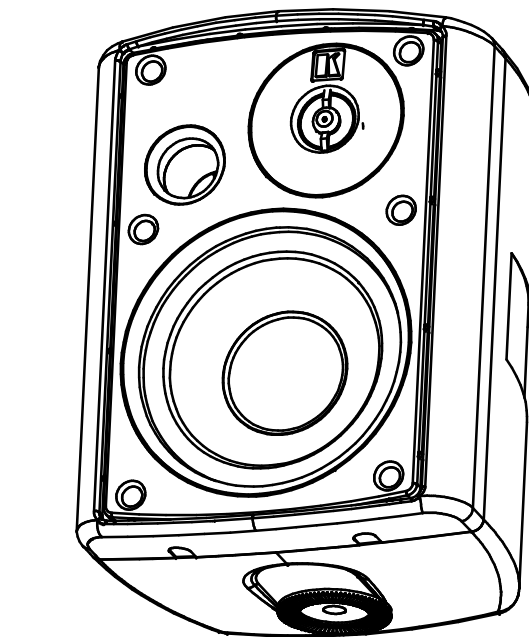
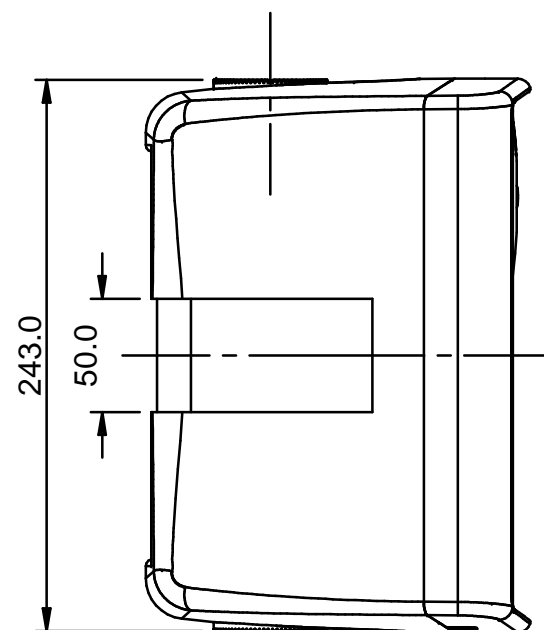
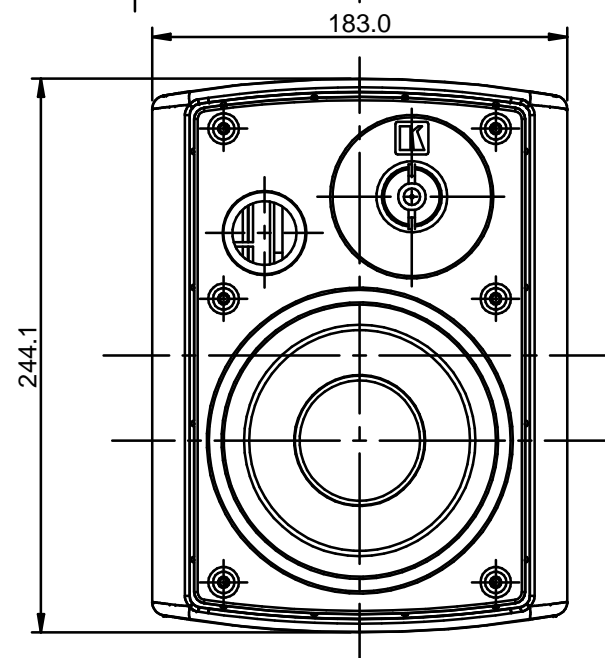
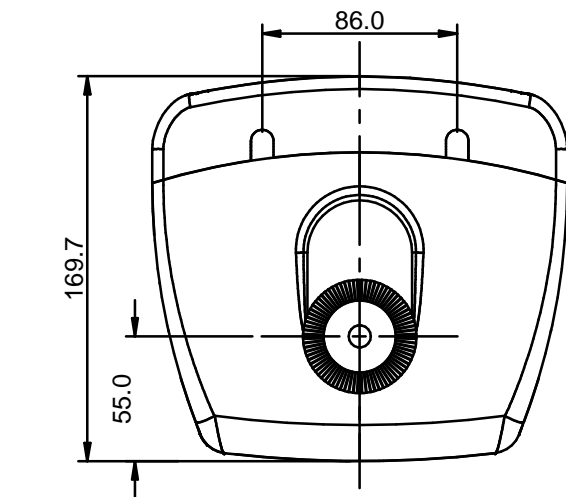



REVISION HISTORY

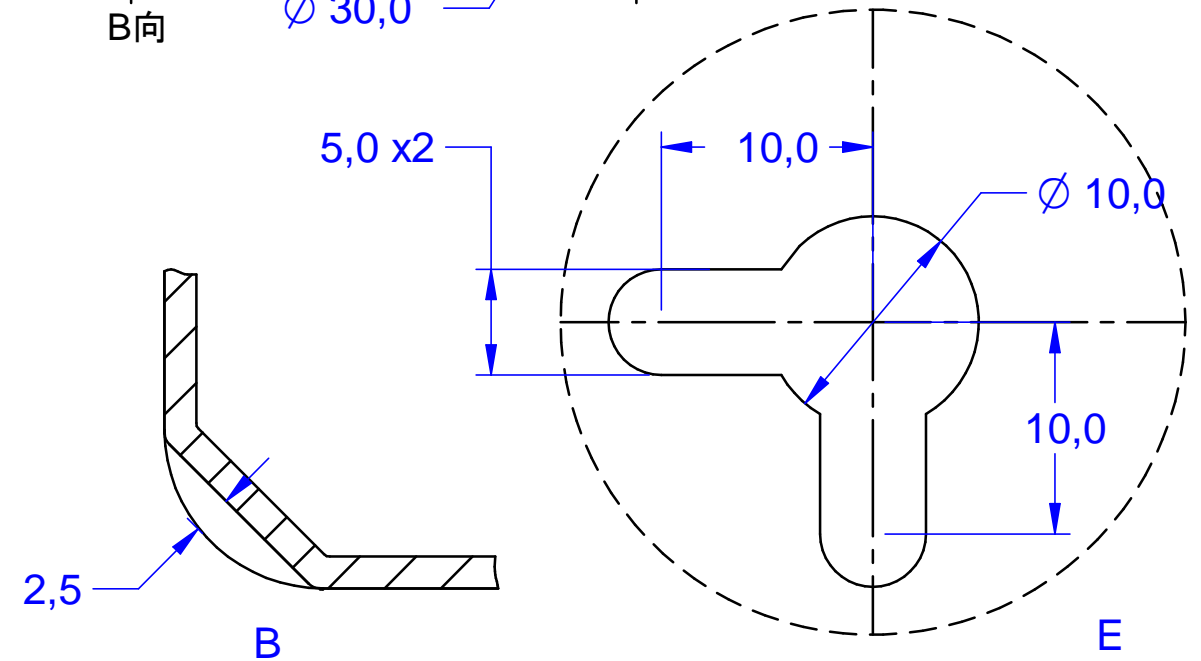
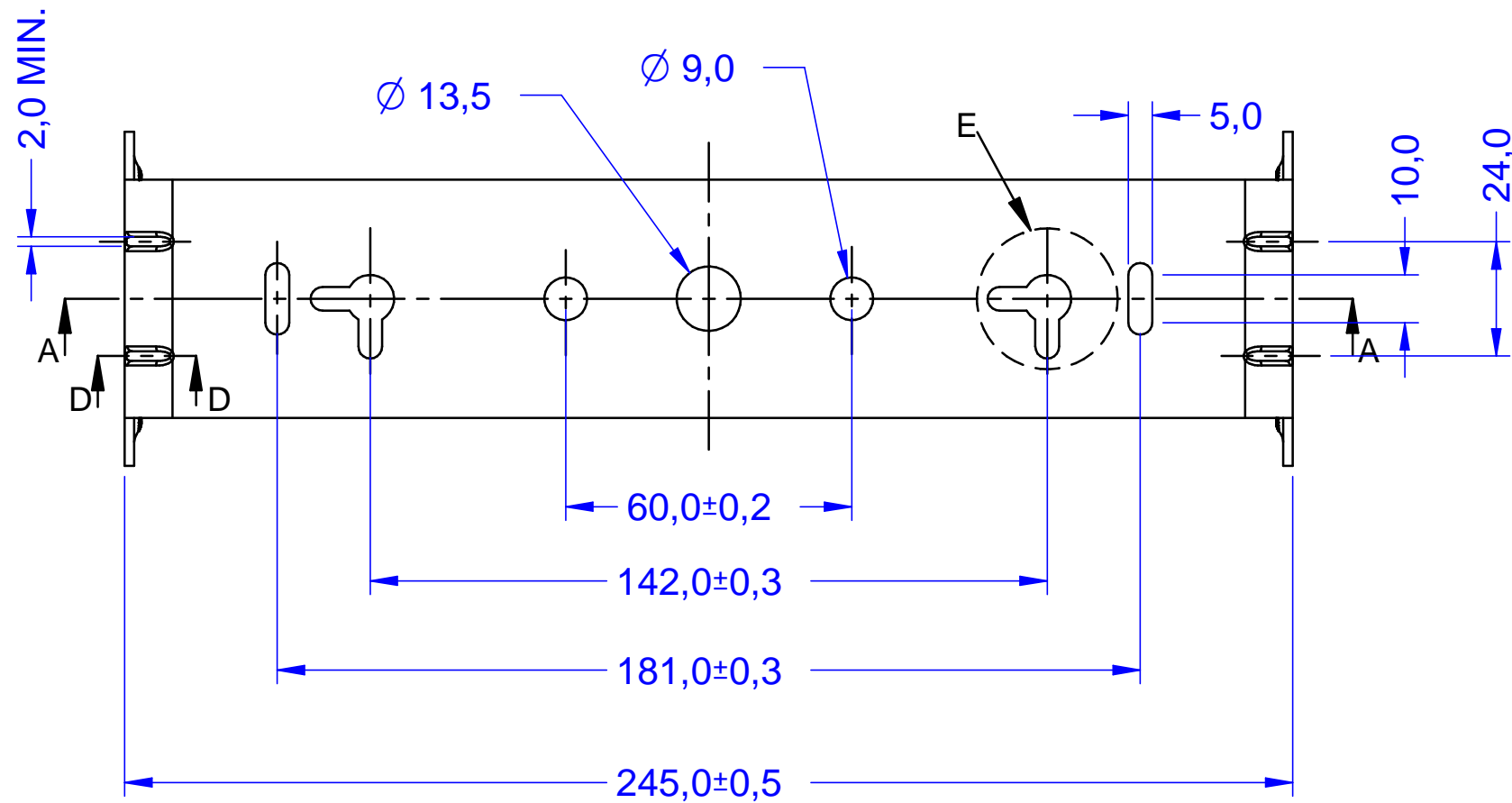
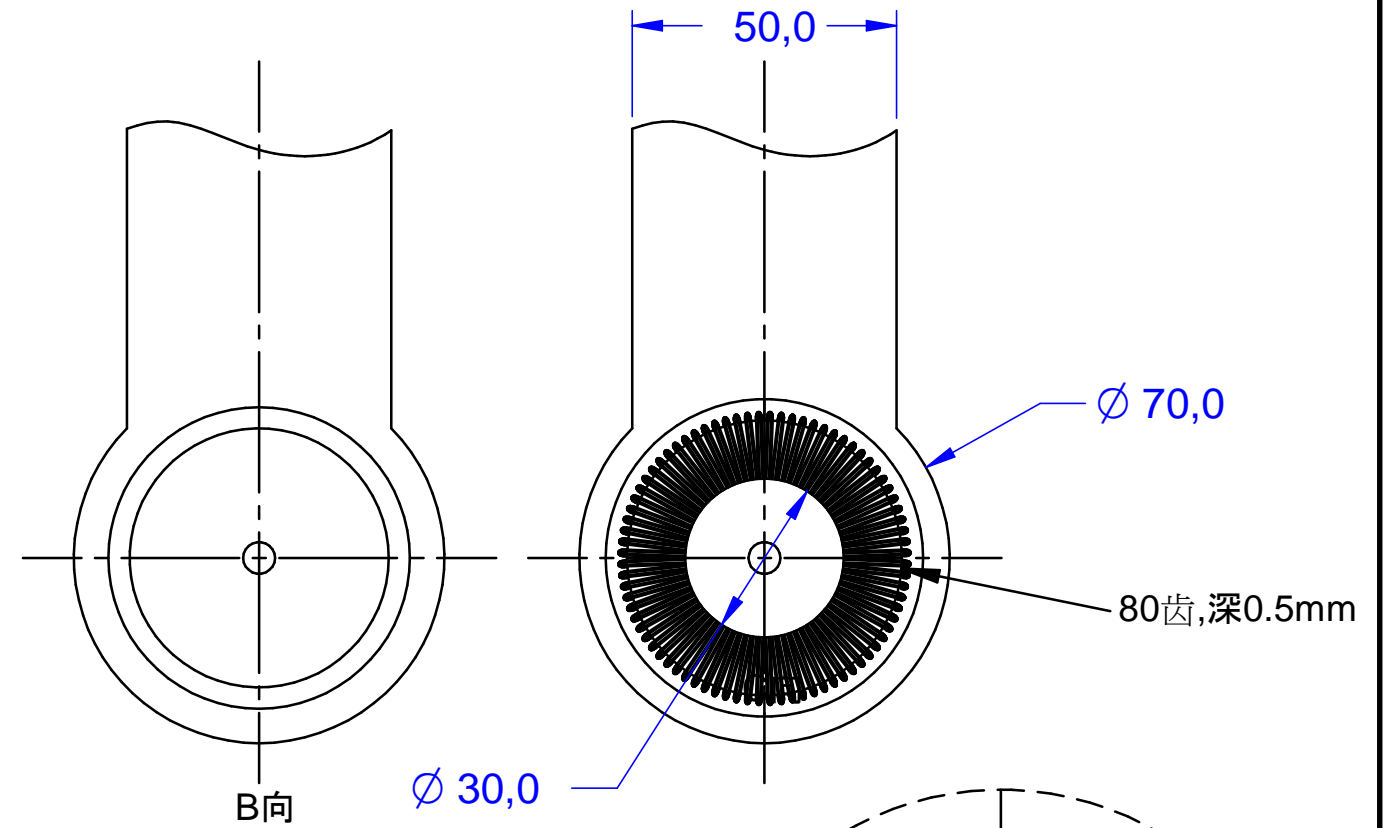
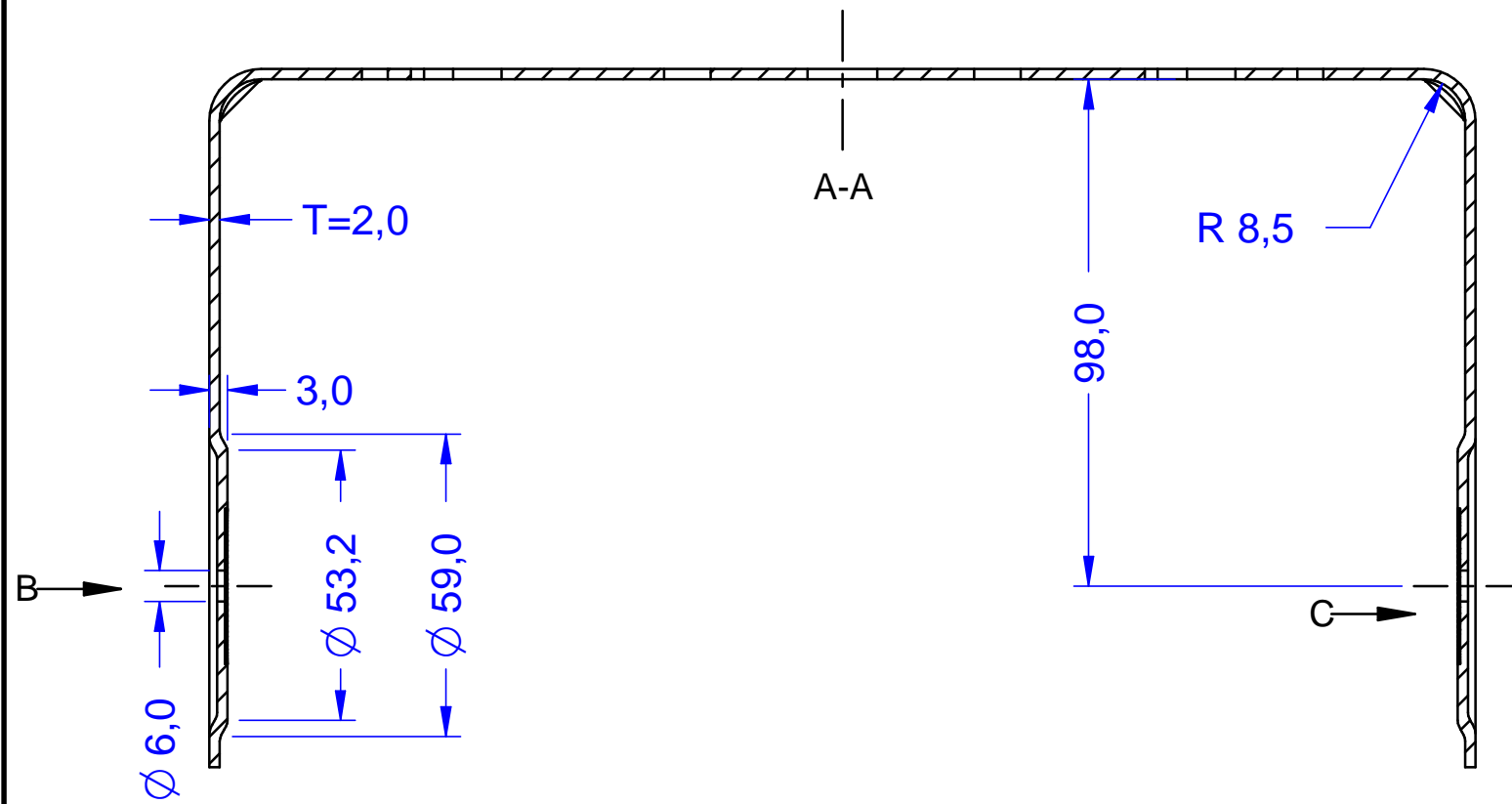
REV	DESCRIPTION	ECO NO.	DATE	APPROVED
1	PRELIMINARY		DD . MM . YY	




	NAME	DATE	 KRAMER ELECTRONICS LTD. JERUSALEM, ISRAEL
DRAWN	ihassidim	06/Aug/13	
CHECKED			
ENG APPR			
MGR APPR			PART: SPK-WA511-OUTLINE
UNLESS OTHERWISE SPECIFIED DIMENSIONS ARE IN MILLIMETERS ANGLES ±0.5° LINEAR ±0.2 HOLES ±0.2			SIZE A3 KRAMER P.N.: SPK-WA511-OUTLINE
			REV 1 File name: SPK-WA511-OUTLINE.dft
			Project: SPK-WA511 Sheet 1 of 3

REVISION HISTORY

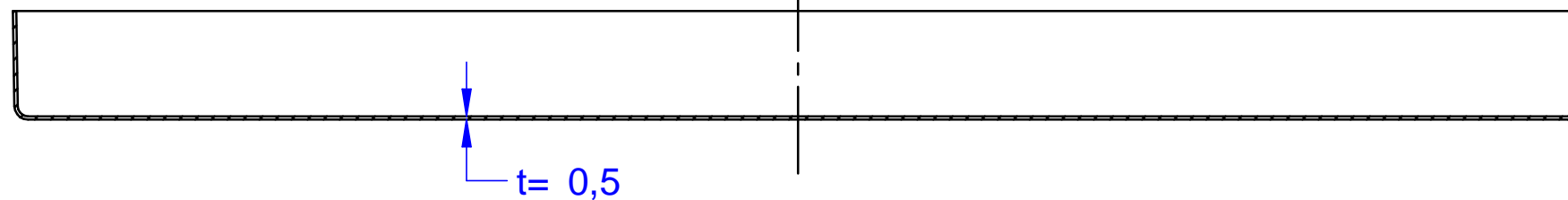
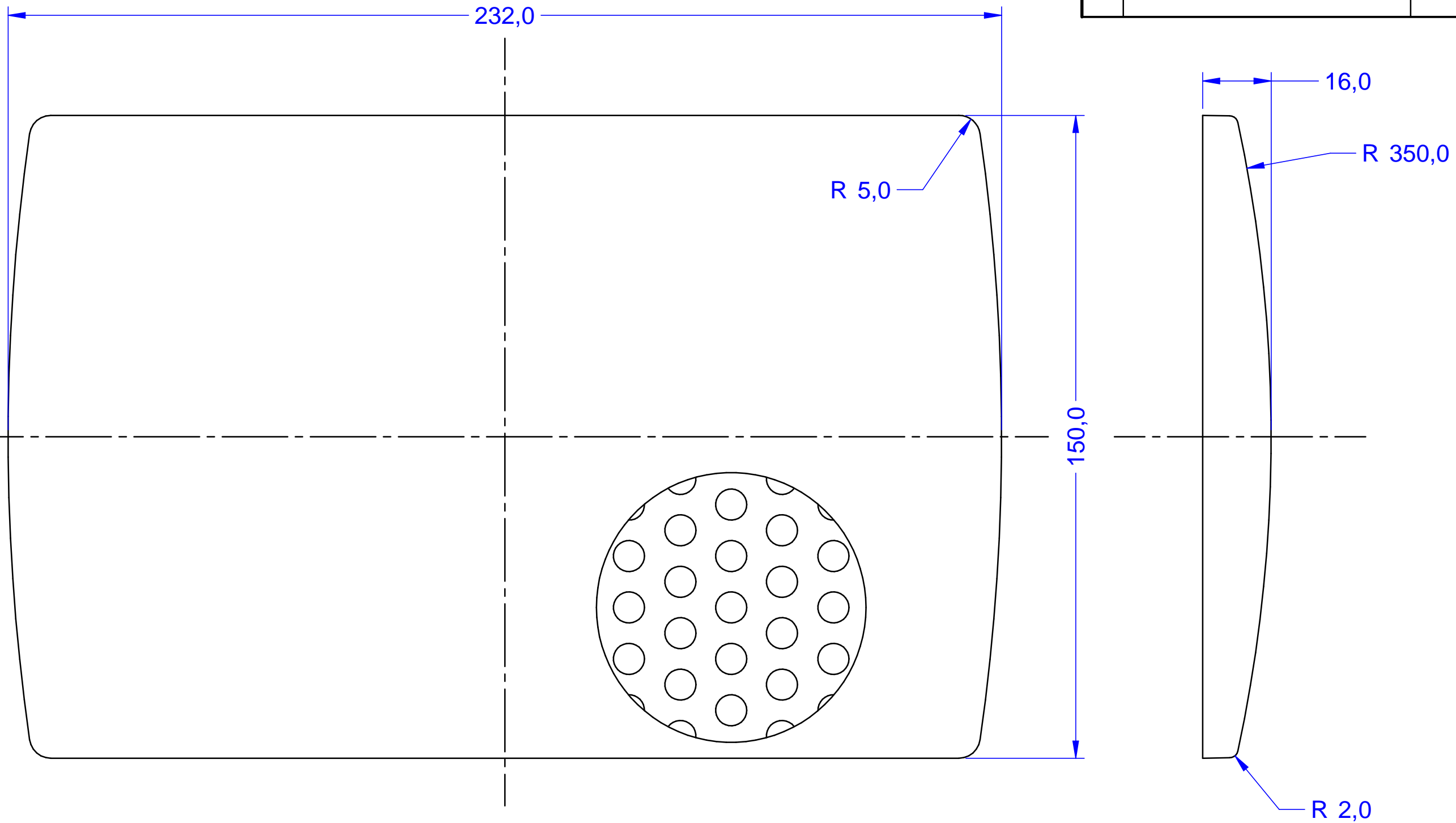
REV	DESCRIPTION	ECO NO.	DATE	APPROVED
1	PRELIMINARY		DD . MM . YY	



	NAME	DATE	 KRAMER ELECTRONICS LTD. JERUSALEM, ISRAEL
DRAWN	ihassidim	06/Aug/13	
CHECKED			
ENG APPR			
MGR APPR			PART: SPK-WA511-OUTLINE
UNLESS OTHERWISE SPECIFIED DIMENSIONS ARE IN MILLIMETERS ANGLES ±0.5° LINEAR ±0.2 HOLES ±0.2			SIZE A3 KRAMER P.N.: SPK-WA511-OUTLINE File name: SPK-WA511-OUTLINE.dft
			Project: SPK-WA511 Sheet 2 of 3

REVISION HISTORY

REV	DESCRIPTION	ECO NO.	DATE	APPROVED
1	PRELIMINARY		DD . MM . YY	



	NAME	DATE	KRAMER ELECTRONICS LTD.	
DRAWN	ihassidim	06/Aug/13	JERUSALEM, ISRAEL	
CHECKED			PART: SPK-WA511-OUTLINE	
ENG APPR			SIZE A3 KRAMER P.N.: SPK-WA511-OUTLINE	
MGR APPR			REV 1	
UNLESS OTHERWISE SPECIFIED DIMENSIONS ARE IN MILLIMETERS ANGLES $\pm 0,5^\circ$ LINEAR $\pm 0,2$ HOLES $\pm 0,2$			File name: SPK-WA511-OUTLINE.dft	
			Project: SPK-WA511	Sheet 3 of 3